

Constellation  
Heritage  
> 4700 Models

4800 Models  
4900 Models  
> 5700 Models

5900 Models  
6900 Models

**Western Star  
Service Bulletin**

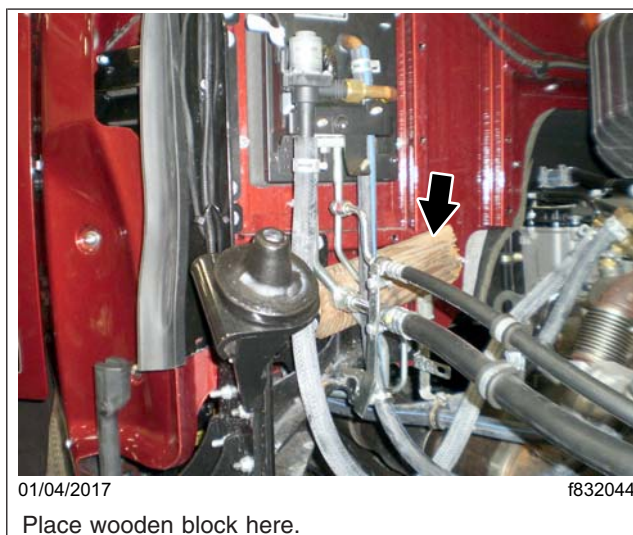
## General Information

**IMPORTANT:** This bulletin applies only to vehicles built before October 3, 2016. Vehicles built from that day on have the drain hose installed in production.

In some operating conditions, water may leak into the cab onto the passenger floor through the HVAC fresh air intake on the frontwall on 4700 and 5700 models. In the event of a leak, follow the instructions below to install a new HVAC fresh-air intake drain tube.

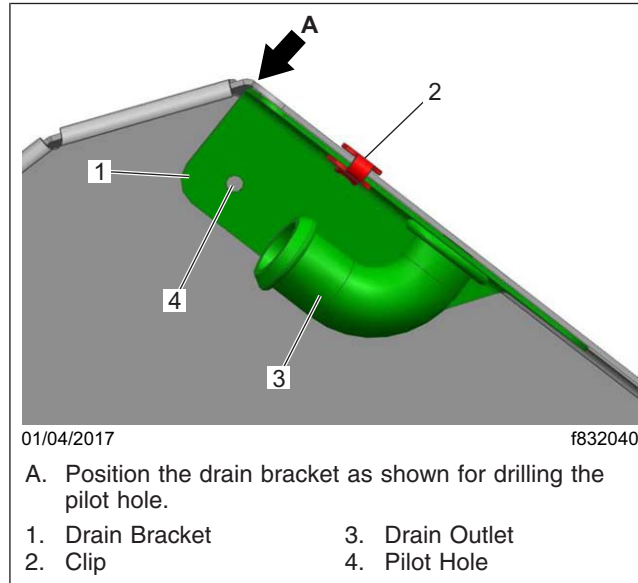
## Installation

1. Park the vehicle on a level surface, shut down the engine, and set the parking brakes. Chock the tires.
2. Open the hood.
3. Secure a block of wood between the HVAC refrigerant lines and the frontwall in the area of the HVAC drain to protect the lines when drilling the new drain hole. See [Fig. 1](#).



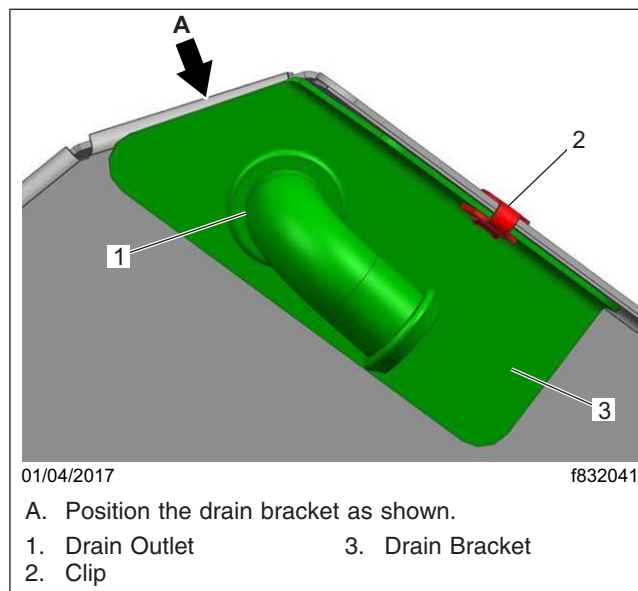
**Fig. 1, Wooden Safety Block Placement**

4. Using the small hole in the drain bracket as a guide, to drill a pilot hole in the fresh-air intake duct. See [Fig. 2](#).



**Fig. 2, Drilling the Pilot Hole**

5. Remove the bracket and drill a 1/2-inch drain hole at the pilot hole location.
6. Apply Sikaflex 252, or equivalent, around the area contacting the HVAC unit. Do not allow it to clog the drain hole.
7. Position the bracket as shown in [Fig. 3](#), and secure it with the clip. Allow the sealant to cure as recommended by the manufacturer.



**Fig. 3, Inlet Drain Bracket Installation**

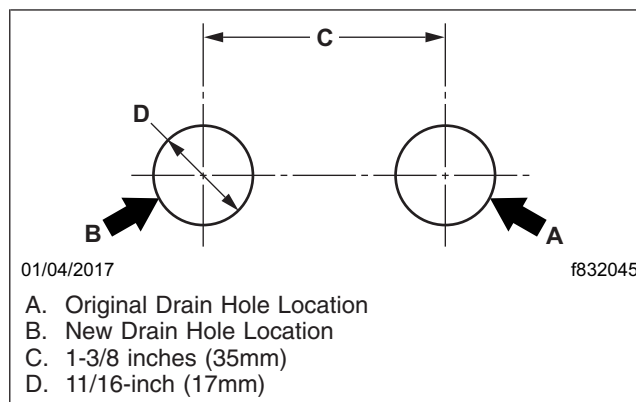
Constellation  
Heritage  
> 4700 Models

4800 Models  
4900 Models  
> 5700 Models

5900 Models  
6900 Models

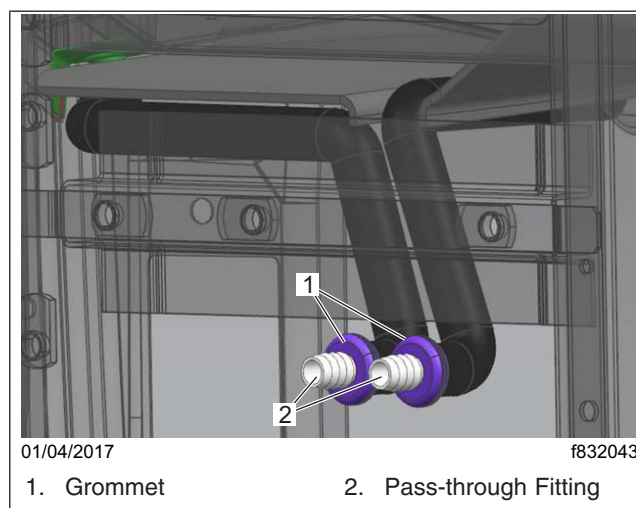
Western Star  
Service Bulletin

8. Remove the HVAC drain tube and discard it.
9. Mark a spot 1-3/8 inches (35mm) inboard of the existing drain hole in the frontwall. See [Fig. 4](#).



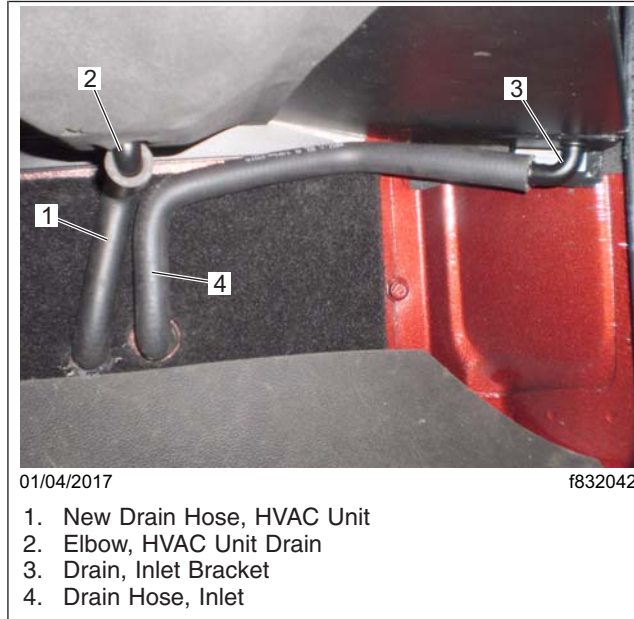
**Fig. 4, New Frontwall Hole Location**

10. Cut a 1-inch opening through the insulation on that center.
11. Drill an 11/16-inch (17mm) hole through the front wall on that center.
12. Install the grommet from the kit in the new hole in the frontwall.
13. Install the pass-through fittings in both grommets. See [Fig. 5](#).



**Fig. 5, Pass-Through Fittings and Grommets**

14. Install the drain hoses from the HVAC sump and the new intake drain to the pass-through fittings. See [Fig. 6](#).



**Fig. 6, Drain Hose Installation**

## Parts

Parts are available through the PDCs. [Table 1](#) lists the required parts.

Required Parts		
Part Number	Description	Quantity
A05-33849-000	HVAC Drain Bracket	1
05-33368-000	Hose, Drain	1
05-33367-000	Hose, Drain	1
23-09180-064	Grommet	1
22-74513-000	Union Barb	2
WWS 4012-3404	Tinnerman Clip	1
48-25136-008	Sika Adhesive	As needed

**Table 1, Required Parts**

## Warranty

This procedure is warrantable only if the described condition exists and the repair is performed within the applicable base or extended coverage warranty period. If a failure is not found, this procedure is considered preventive and warranty does not apply.

Normal warranty applies. See [Table 2](#) for OWL VMRS codes and labor allowance information. Enter this service bulletin number in the *Service Bulletin #* field.

# HVAC Fresh Air Intake Water Leak, 4700 and 5700

# 83-29

Constellation  
Heritage  
> 4700 Models

4800 Models  
4900 Models  
> 5700 Models

5900 Models  
6900 Models

**Western Star  
Service Bulletin**

OWL VMRS Codes and Labor Allowance					
Primary Failed Part	Component Code	Cause Code	SRT Code	Description	Time: Hours
A22-73493-000	001-006-001	18	700-5037A	Drain Tube, HVAC Intake, Install	0.6

**Table 2, OWL VMRS Codes and Labor Allowance**