



Service Bulletin

File in Section: -

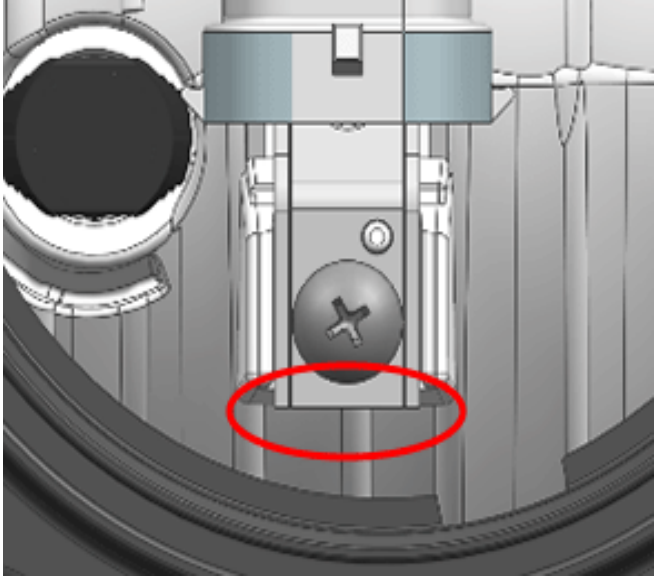
Bulletin No.: 17-NA-315

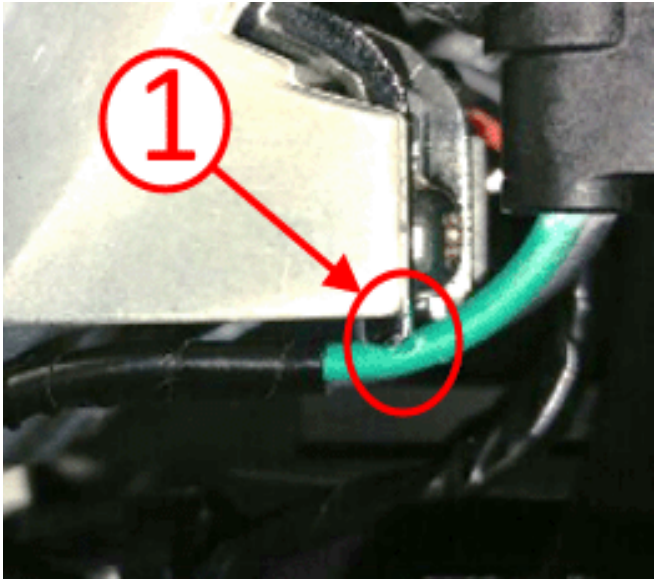
Date: November, 2017

TECHNICAL

Subject: Head Lamp or Tail Lamp Inoperative

Brand:	Model:	Model Year:		VIN:		Engine:	Transmission:
		from	to	from	to		
Chevrolet	Trax	2017	2017				

Involved Region or Country	North America and N.A.Exports
Condition	Some customers may comment that the head lamp and/or tail lamp may be inoperative. During diagnostics, the technician may find the head lamp fuse OPEN.
Cause	<div style="text-align: center;">  </div> <p style="text-align: right; font-size: small;">4873640</p> <p>This condition may be caused by an internal short in the head lamp wiring harness, contacting the reflector shield .</p>

<p>Correction</p>	
<p>4873265</p>	
<p>If you encounter a vehicle with the above concern, locate the front head lamp wiring harness at the head lamp bulb and validate chaffing against the reflector shield.</p>	

Service Procedure

Replace the Head lamp assembly, refer to Head lamp Replacement in SI.

Parts Information

Refer to the Electronic Parts Catalog (EPC) for obtaining the P/N for the front head lamp.

Warranty Information

For vehicles repaired under warranty, use:

Labor Operation	Description	Labor Time
2040510	Head Lamp Replacement	Use the Published Labor Operations Time

Version	1
Modified	Released November 06,2017

