



Service Bulletin

TECHNICAL

Subject: Whistle Noise at Idle and During Engine Shut Down

Brand:	Model:	Model Year:		VIN:		Engine:	Transmission:
		from	to	from	to		
GMC	Acadia (VIN N)	2017	2017			LCV	All

Involved Region or Country	North America, Middle East
Additional Options (RPOs)	Equipped with 2.5L Engine (RPO LCV)
Condition	Some customers may comment on the engine making a whistle noise at idle and during engine shut down.
Cause	This may be due to a restriction in the positive crankcase ventilation (PCV) valve tube assembly.
Correction	Replace the PCV valve tube assembly.

Parts Information

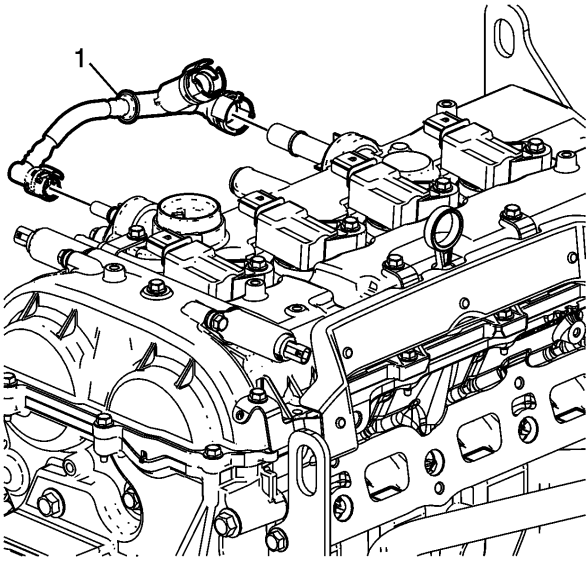
Description	Part Number	Qty
TUBE ASM-PCV	12627132	1

Warranty Information

For vehicles repaired under warranty, use:

Labor Operation	Description	Labor Time
4068490	Positive Crankcase Ventilation Hose/Pipe/Tube Replacement	Use Published Labor Operation Time

Service Procedure



Replace the positive crankcase ventilation hose assembly. Refer to *Positive Crankcase Ventilation Hose/Pipe/Tube Replacement* in SI.

Version	1
Modified	

GM bulletins are intended for use by professional technicians, NOT a "do-it-yourselfer". They are written to inform these technicians of conditions that may occur on some vehicles, or to provide information that could assist in the proper service of a vehicle. Properly trained technicians have the equipment, tools, safety instructions, and know-how to do a job properly and safely. If a condition is described, DO NOT assume that the bulletin applies to your vehicle, or that your vehicle will have that condition. See your GM dealer for information on whether your vehicle may benefit from this information.



WE SUPPORT VOLUNTARY TECHNICIAN CERTIFICATION