

Play/noises in electric seat adjustment or error messages from WSS sensors

Topic number	LI91.29-P-050116
Version	4
Design group	91.29 Seats - electrical system
Date	01-10-2017
Validity	W164, X164, 211, 219, 251 Affects vehicles with code 494 or U10
Reason for change	Damage code deleted
Reason for block	

Complaint:

1. Play or noises at electric seat adjuster.
2. SRS indicator lamp lights up.
3. WSS sensor fault messages.

Cause:

1. Broken/damaged bushings in seat adjuster (see picture 1) lead to play or noises during load change.
2. Broken/damaged bushings in seat adjuster (see picture 1) lead to play and an SRS fault message.
3. Various fault codes.

Attachments	
File	Description
Bild 1_Gebrochene_beschadigte Buchse.pdf	Example

Remedy:

- 1.) Check whether the bushings are broken or exhibit other, minor damage (see picture 1). If this is the case, the two front bushings together with the pin and bolts must be replaced as a pair. All the parts required can be ordered in the following parts kits: A012 820 75 10. The parts kit contains the parts for both front sensors.
- 2.) Check whether the bushings are broken or exhibit other, minor damage (see picture 1). If this is the case, the affected sensor including bushings must be replaced. All the necessary parts are listed in the parts list or the EPC.

Work instructions for replacing the WSS sensors: AR91.60-P-0811T

Work instructions for replacing the bushings:

- Move seat adjuster to the highest position (picture 3)

XENTRY TIPS

- Unscrew brace (picture 4)
- Remove nuts (picture 5)
- Remove the pin by hand so that the bushing is unsupported. Do not use any tools, otherwise subsequent damage may occur to the new bushing when it is reinstalled (picture 6).
- Remove the bushing by hand. Do not use any tools, otherwise subsequent damage may occur. (picture 7)
- Remove the outer ring (picture 8).
- Install the new outer ring. Make sure that the flange is flush with the surface of the joint (picture 9).
- Install the plastic bushing and apply the special grease provided (picture 10).
- Fasten the bushing with the pin (picture 11).
- Install in the reverse order.
- Parameterization of the seat is absolutely essential.

If the bushings are not damaged, noises that increase with mileage may occur due to the overall stresses in the seat. In this case, remove and reinstall the seat adjuster. Do not replace any seat adjusters.

3.) The fault code "9A14 - Check system or test not OK" may indicate the possibility of a damaged or broken bushing. If fault codes are present that justify replacement of the WSS sensors, only the sensors and the associated bolts are to be replaced. Do not replace any seat adjusters.

Work instructions for replacing the WSS sensors: AR91.60-P-0811T

Attachments	
File	Description
Bild 3_Sitzversteller.pdf	Work instructions for replacing the bushing
Bild 4_Brucke.pdf	Work instructions for replacing the bushing
Bild 5_Niet.pdf	Work instructions for replacing the bushing
Bild 6_Position Buchse.pdf	Work instructions for replacing the bushing
Bild 7_Buchse.pdf	Work instructions for replacing the bushing
Bild 8_ausserer Ring.pdf	Work instructions for replacing the bushing
Bild 9_Einbau 1.pdf	Work instructions for replacing the bushing
Bild 10_Einbau 2.pdf	Work instructions for replacing the bushing
Bild 11_Fixierung.pdf	Work instructions for replacing the bushing

Symptoms
Body / Seat / Noises / Cracking
Body / Seat / Noises / Metallic noise
Body / Seat / Seat adjustment / Noise
Body / Seat / Noises / Creaking
Body / Seat / Seat adjustment / Function error

Control unit/fault code

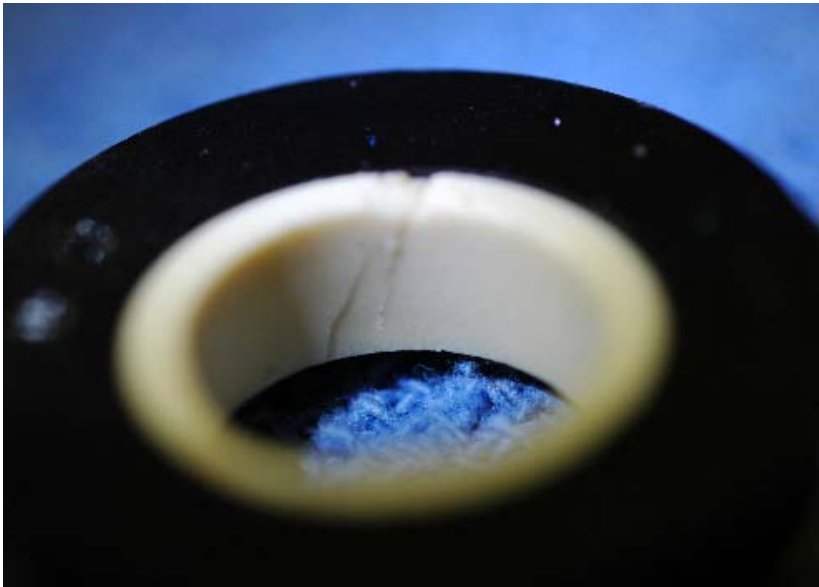
XENTRY TIPS

Control unit	Fault code	Fault text
WSS-Weight sensing system	9A14	Component WSS is incorrectly adjusted.
WSS-Weight sensing system	9A03	Illegal zero point setting
WSS-Weight sensing system	9A02	Zero point setting not completed

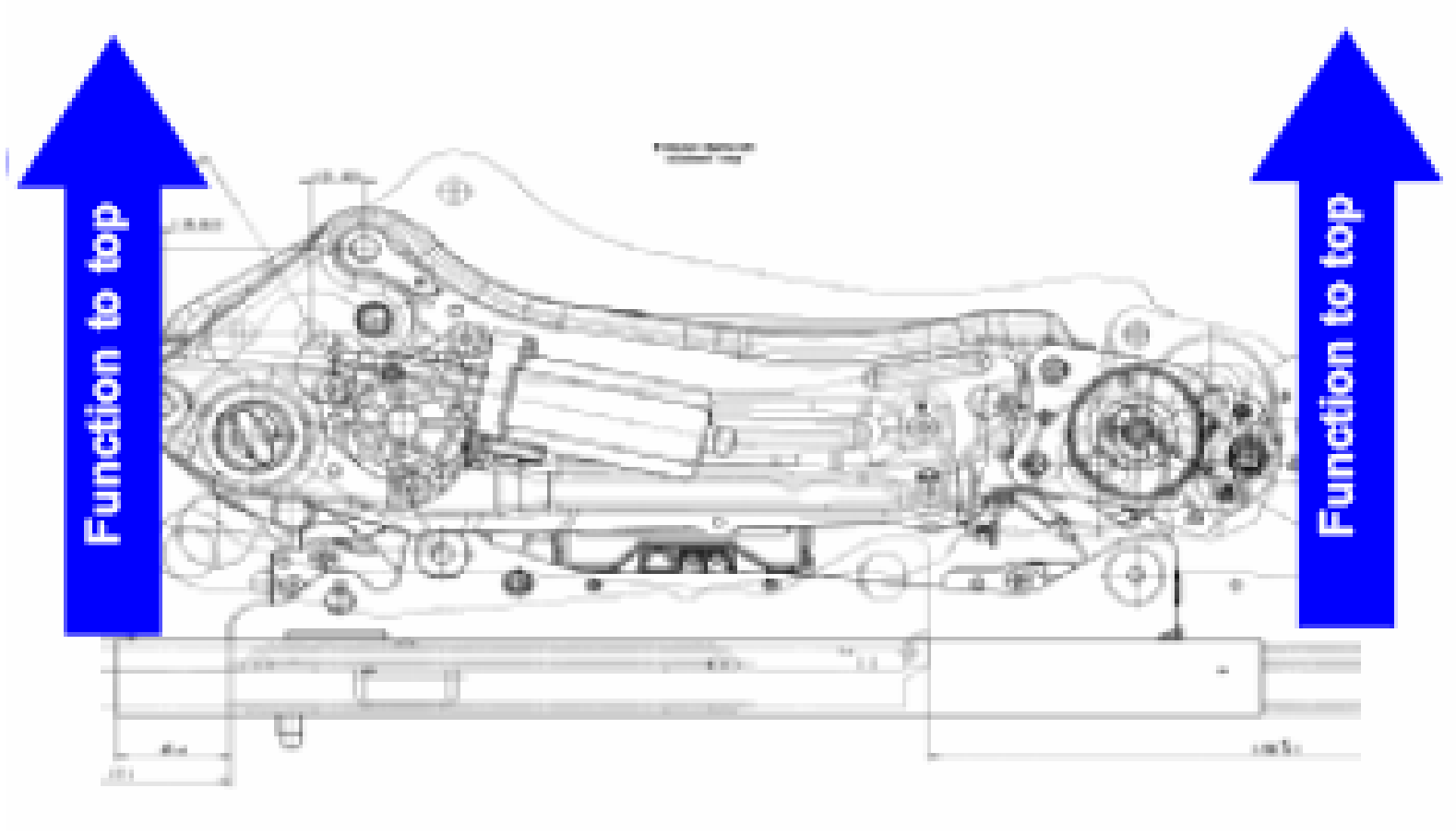
Parts						
Part number	ES1	ES2	Designation	Quantity	Note	EPC
A0128207610			Parts kit for weight sensor (inner front)	1		X
A0128207710			Parts kit for weight sensor (outer front)	1		X
A0118204210			Parts kit for weight sensor (outer rear)	1		X
A0118206910			Parts kit for weight sensor (inner rear)	1	The parts kit is being updated. Only install the sensor, not the bushings, because a fixed bearing is used. Valid for model series 164 & 251	X
A0118204310			Parts kit for weight sensor (inner rear)	1	The parts kit is being updated. Only install the sensor, not the bushings, because a fixed bearing is used. Valid for model series 211 & 219.	X
A0128207510			Parts kit for front bushing	1	Contains both bushings for the front sensors!	X

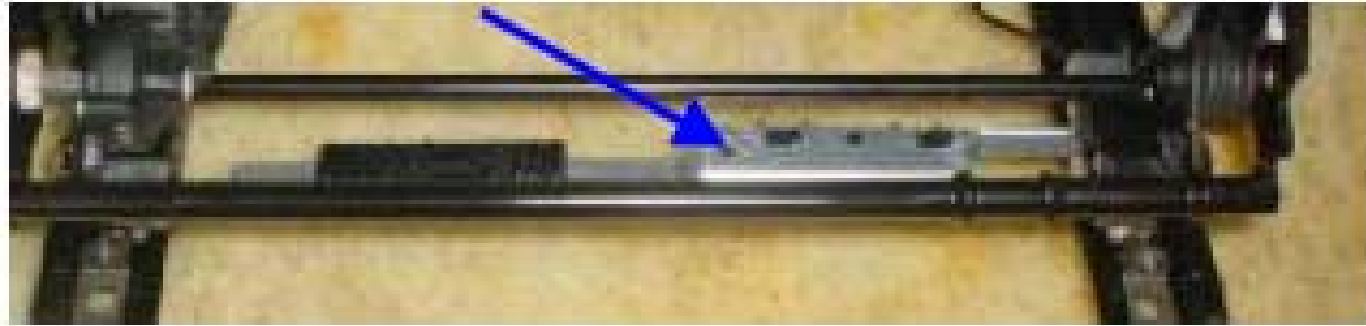
Attachments	
File	Description
Bild 2_Teilekit.pdf	Parts kits to be ordered

WIS-References			
Document number	Title	Note	Allocation
AR91.60-P-0811T	Replace WSS sensor		Remedy
si91.29-p-0002a	Service information: Replacement of weight sensing system (WSS)		Remedy



















Bushings must be
flush to link



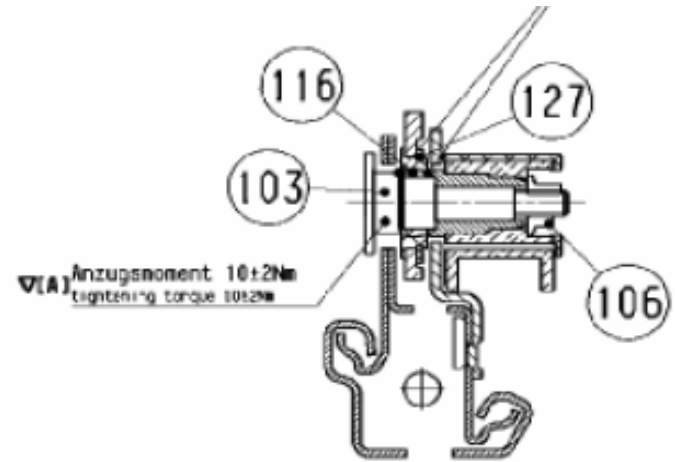
Apply specified grease to inner bearing surface



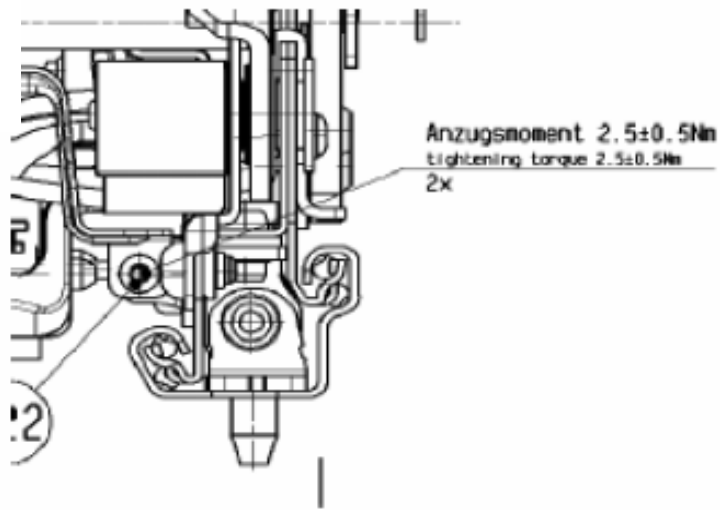
Bearing groove for circlip install



Apply specified grease to bolt bearing surface



∇(A) Anzugsmoment 10±2Nm
tightening torque 10±2Nm



Anzugsmoment 2.5±0.5Nm
tightening torque 2.5±0.5Nm
2x