

Front License Plate and Mounting Bracket Installation

Service Category General

Section Pre-Delivery Service

Market USA

Lexus Supports
ASE Certification 

Applicability

YEAR(S)	MODEL(S)	ADDITIONAL INFORMATION
2018	RC F, RC300, RC350	

Introduction

The front license plate mounting bracket and two self-tapping screws for the 2018 model year RC F, RC 300, and RC 350 are placed in the luggage compartment of the vehicle at the assembly plant. For states that require a front license plate, install the bracket and bolts onto the bumper cover during Pre-Delivery Service (PDS) according to the following procedure.

The RC 300 and RC 350 (non-F Sport) models share the same installation procedure. The F Sport and F models require a different procedure (see page 4).

Warranty Information

OP CODE	DESCRIPTION	TIME	OFF	T1	T2
N/A	Not Applicable to Warranty	–	–	–	–

Front License Plate and Mounting Bracket Installation

Installation Procedure for RC 300/350 (Non-F Sport)

- Align holes "A" of the mounting bracket with the dimples on the front bumper cover.

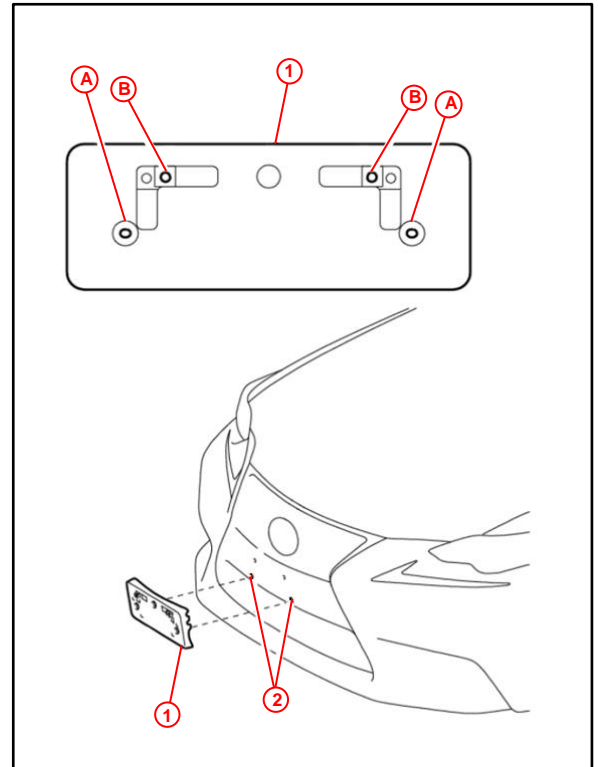
NOTE

- Holes "A" are used to install the front mounting bracket to the bumper cover.
- Holes "B" are used to install the front license plate to the mounting bracket.

NOTICE

Do NOT drill into the dimples on the radiator grille.

Figure 1.



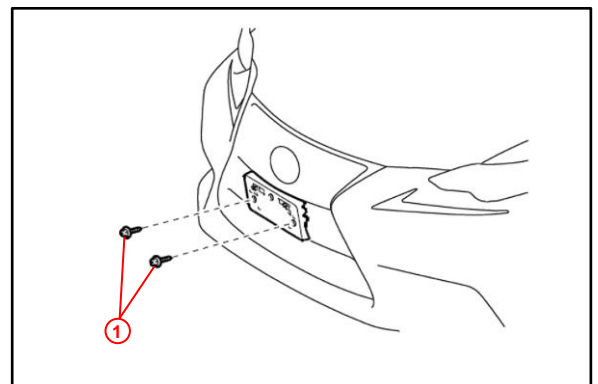
1	Mounting Bracket
2	Dimples

- Install the mounting bracket onto the front bumper cover at holes "A" using the two supplied self-tapping screws.

NOTICE

Do NOT over-tighten the self-tapping screws.

Figure 2.



1	Self-tapping Screws
---	---------------------

Front License Plate and Mounting Bracket Installation

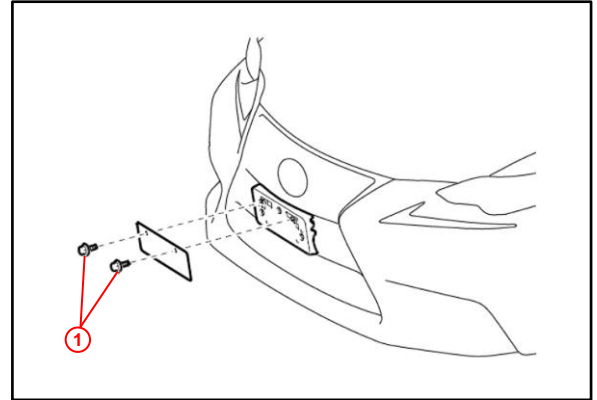
Installation Procedure for RC 300/350 (Non-F Sport) (Continued)

3. Install the front license plate to the mounting bracket at holes "B" using two non-corroding bolts with the following dimensions:

Nominal Length: 10.0 mm (0.39 in.)

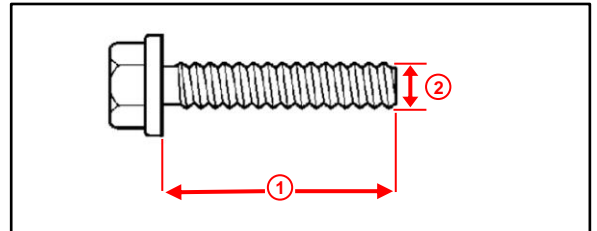
Diameter: 6.0 mm (0.24 in.)

Figure 3.



1	Bolts
----------	--------------

Figure 4.



1	Nominal Length
2	Diameter

Front License Plate and Mounting Bracket Installation

Installation Procedure for F Sport and RC F Models

1. Align holes "A" of the mounting bracket with the dimples (F Sport) or clips (RC F) on the radiator grille.

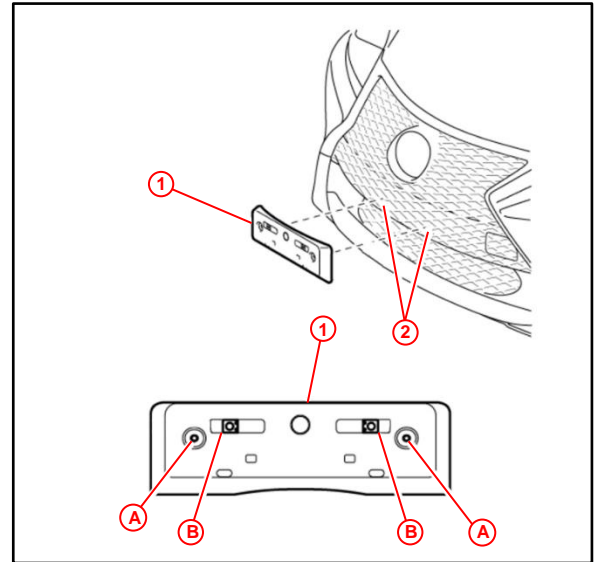
NOTE

- Holes "A" are used to install the mounting bracket to the radiator grille.
- Holes "B" are used to install the front license plate to the mounting bracket.

NOTICE

Do NOT drill into the dimples/clips on the radiator grille.

Figure 5.



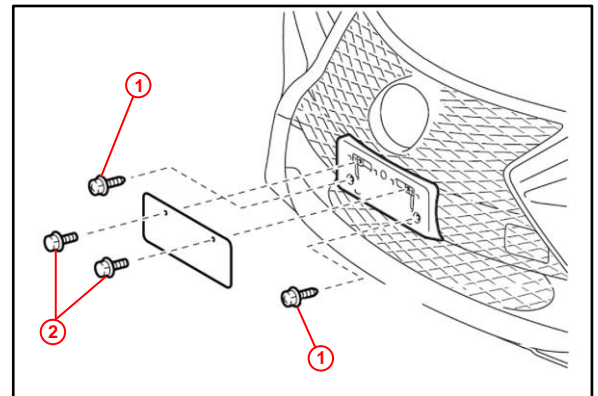
1	Mounting Bracket
2	Dimples (F Sport), Clips (RC F)

2. Install the mounting bracket onto the radiator grille using two self-tapping screws.

NOTICE

Do NOT over-tighten the self-tapping screws.

Figure 6.



1	Self-tapping Screws
2	Bolts

Front License Plate and Mounting Bracket Installation

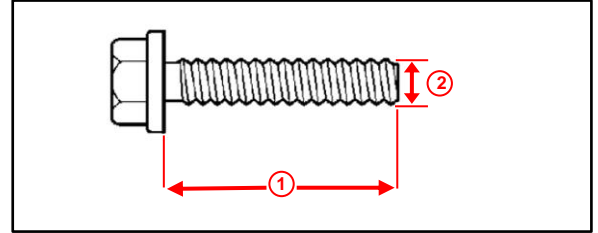
Installation Procedure for F Sport and RC F Models (Continued)

3. Install the front license plate to the mounting bracket using two non-corroding bolts with the following dimensions:

Nominal Length: 10.0 mm (0.39 in.)

Diameter: 6.0 mm (0.24 in.)

Figure 7.



1	Nominal Length
2	Diameter