

Power Function of Sliding Door Inoperative

Service Category Vehicle Exterior

Section Door/Hatch

Market USA

Toyota Supports
 ASE Certification 

Applicability

| YEAR(S) | MODEL(S) | ADDITIONAL INFORMATION |
|-------------|----------|------------------------|
| 2004 – 2010 | Sienna | |

REVISION NOTICE

October 25, 2017 Rev2:

- Applicability has been updated to include 2008 – 2010 model year Sienna vehicles.
- The Production Change Information section has been removed.
- The Parts Information and Repair Procedure sections have been updated.

February 17, 2012 Rev1:

- This Service Bulletin has been updated to include a Supersession Notice.

Any previous printed versions of this service bulletin should be discarded.

SUPERSESSION NOTICE

The information contained in this bulletin supersedes SB No. EL004-04.

- Applicability has been updated to include 2005 – 2010 model year Sienna vehicles.

Service Bulletin No. EL004-04 is obsolete and any printed versions should be discarded. Be sure to review the entire content of this service bulletin before proceeding.

Introduction

Some 2004 – 2010 model year Sienna vehicles may exhibit a condition where the power function of the sliding door is inoperative. A new service part has been developed so that the replacement of the entire motor/cable assembly is not required. Follow the Repair Procedure in this bulletin to address this condition.

Power Function of Sliding Door Inoperative

Warranty Information

| OP CODE | DESCRIPTION | TIME | OFF | T1 | T2 |
|---------|--|------|-------------|----|----|
| EL8048 | R & R Power Slide Door Motor Replace Pulley/Cable Assembly (Right Side) | 4.2 | 69631-08031 | 72 | 12 |
| EL8049 | R & R Power Slide Door Motor Replace Pulley/Cable Assembly (Left Side) | 4.2 | 69641-08031 | | |

APPLICABLE WARRANTY

- This repair is covered under the Toyota Comprehensive Warranty. This warranty is in effect for 36 months or 36,000 miles, whichever occurs first, from the vehicle's in-service date.
- Warranty application is limited to occurrence of the specified condition described in this bulletin.

Parts Information

| PREVIOUS PART NUMBER | CURRENT PART NUMBER | PART NAME | QTY |
|----------------------|---------------------|------------------------------------|-----|
| 69631-08030 | 69631-08031 | Control, Slide Door Attachment, RH | 1 |
| 69641-08030 | 69641-08031 | Control, Slide Door Attachment, LH | 1 |

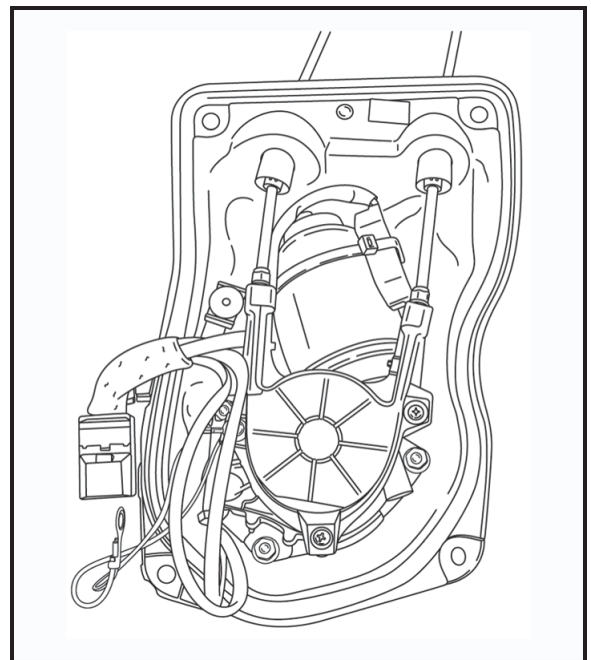
Repair Procedure

1. Remove the power slide door motor assembly from the door.

Refer to the Technical Information System (TIS), applicable model and model year Repair Manual:

- [2004](#) / [2005](#) Sienna:
Vehicle Exterior – Door/Hatch – “Power Slide Door: Overhaul”
- [2006](#) / [2007](#) Sienna:
Vehicle Exterior – Door/Hatch – “Engine Hood/Door: Power Slide Door: Disassembly”
- [2008](#) / [2009](#) / [2010](#) Sienna:
Vehicle Exterior – Door/Hatch – “Engine Hood/Door: Slide Door (w/Power Slide Door): Disassembly”

Figure 1.

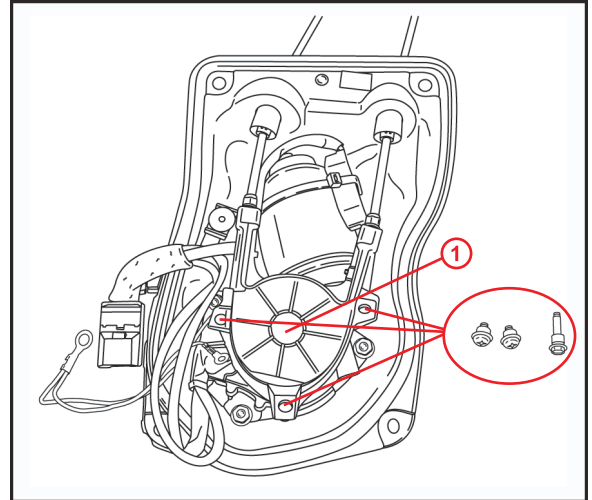


Power Function of Sliding Door Inoperative

Repair Procedure (Continued)

2. Remove the three collared screws from the actuator cover.

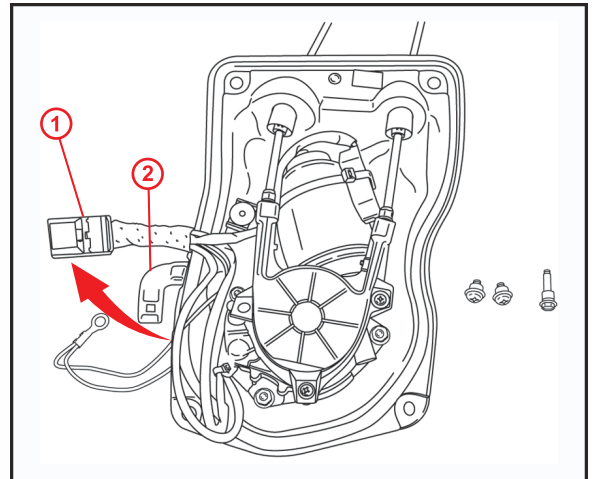
Figure 2.



| | |
|----------|-----------------------|
| 1 | Actuator Cover |
|----------|-----------------------|

3. Detach the connector housing from the bracket.

Figure 3.



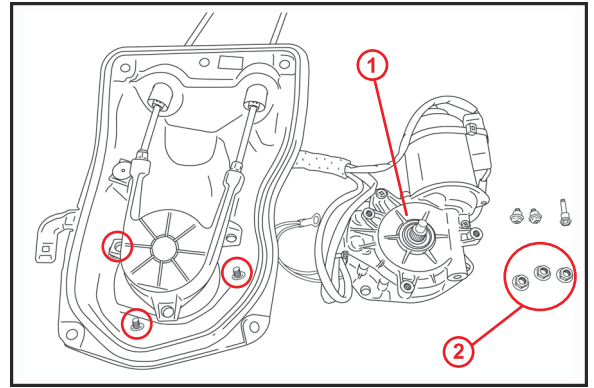
| | |
|----------|------------------|
| 1 | Connector |
| 2 | Bracket |

Power Function of Sliding Door Inoperative

Repair Procedure (Continued)

4. Remove the three nuts that hold the motor onto the actuator cover, and separate the motor sub-assembly from the actuator.

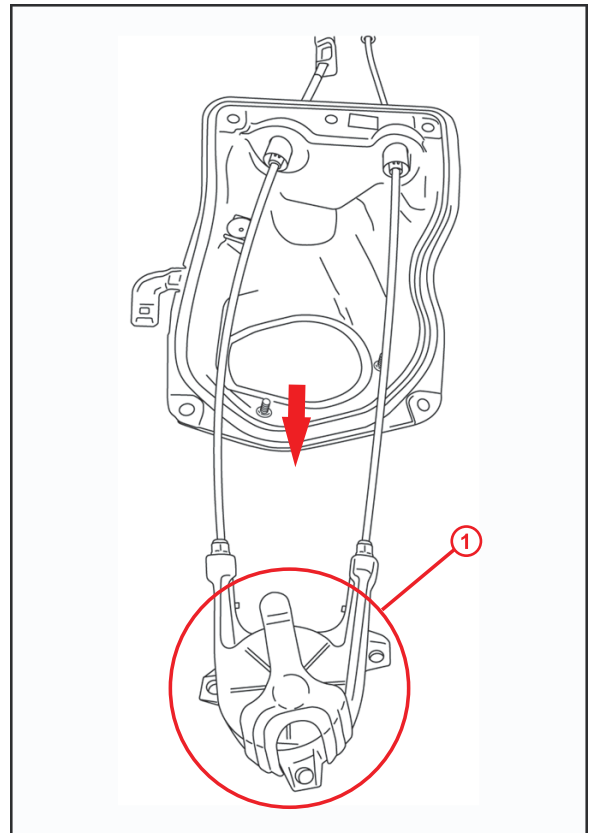
Figure 4.



| | |
|----------|---------------------------|
| 1 | Motor Sub-assembly |
| 2 | Nuts |

5. Slide the actuator cover out of the slide door attachment control.

Figure 5.



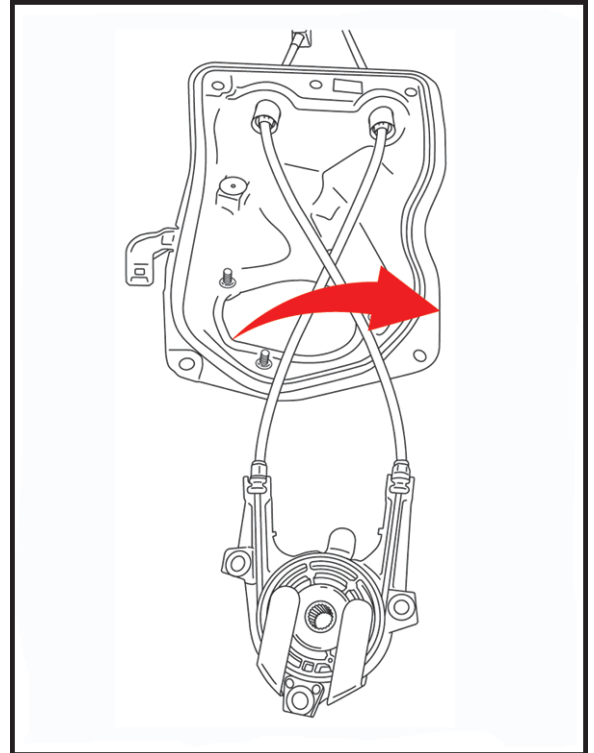
| | |
|----------|-----------------------|
| 1 | Actuator Cover |
|----------|-----------------------|

Power Function of Sliding Door Inoperative

Repair Procedure (Continued)

6. Flip the actuator cover over.

Figure 6.

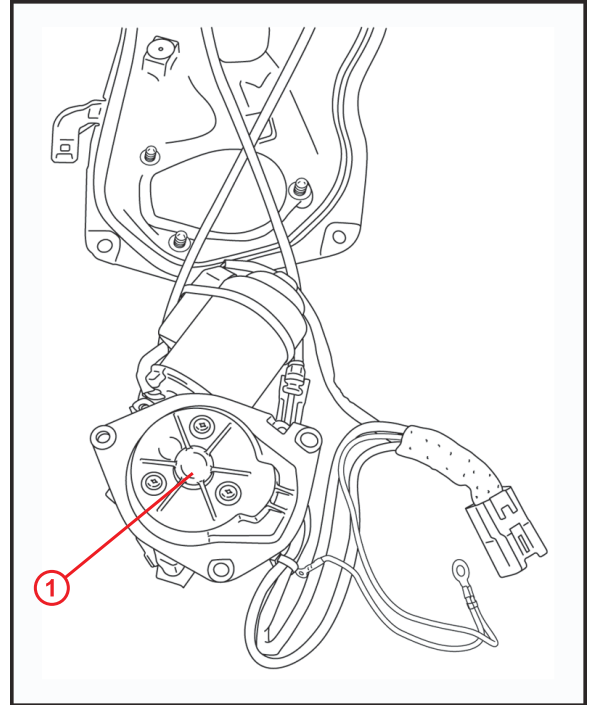


Power Function of Sliding Door Inoperative

Repair Procedure (Continued)

7. Reinsert the shaft of the original motor sub-assembly onto the NEW actuator cover.

Figure 7.

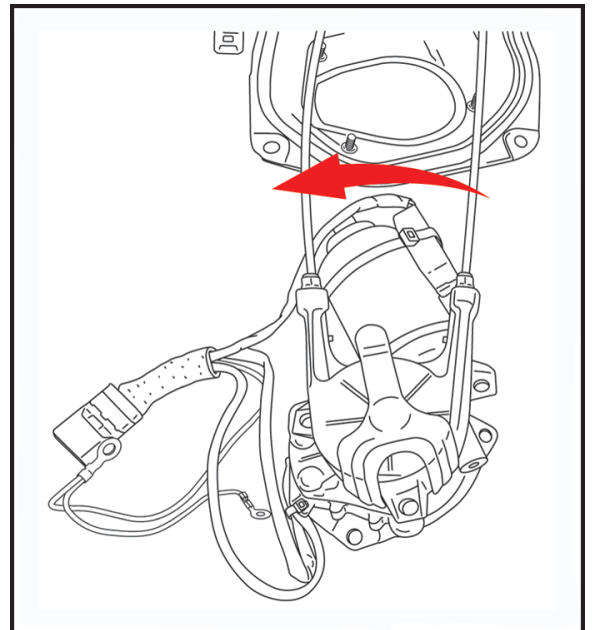


| | |
|----------|---------------------------|
| 1 | Motor Sub-assembly |
|----------|---------------------------|

8. Flip the NEW actuator cover/motor assembly over.

HINT
Do NOT allow the components to separate.

Figure 8.



Power Function of Sliding Door Inoperative

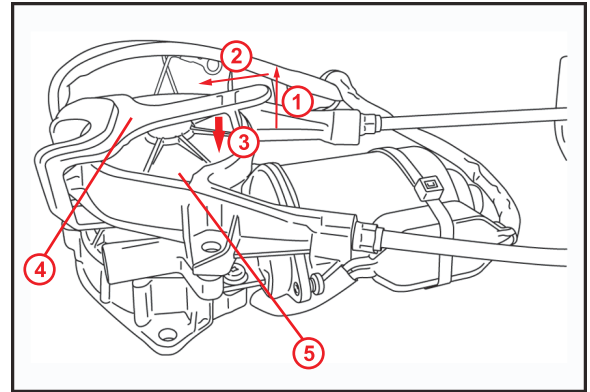
Repair Procedure (Continued)

9. Secure the NEW actuator cover onto the motor assembly.
 - A. Lift up on (1) to pull toward (2) to remove the fork jig.
 - B. Push the actuator cover down at (3) until it contacts the motor sub-assembly.
 - C. Continue to hold the actuator cover until the screws have been reinstalled.

NOTICE

If the pulley comes loose or comes out of the actuator cover or the cable is removed, a NEW slide door attachment control will need to be ordered.

Figure 9.



| | |
|---|-------------------|
| 1 | Lift Direction |
| 2 | Pulling Direction |
| 3 | Push Down |
| 4 | Fork Jig |
| 5 | Actuator Cover |

Power Function of Sliding Door Inoperative

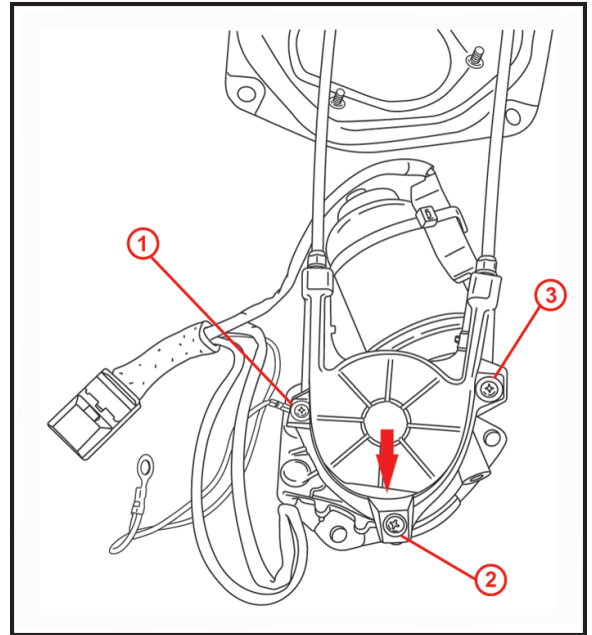
Repair Procedure (Continued)

10. Reinstall the actuator cover screws.

HINT

- Screw "A" is short and **MUST** have a collar and the ground wire attached to it.
- Screw "B" is long and **MUST** have a collar.
- Screw "C" is short and **MUST** have a collar.
Torque: 1.4 N*m (140 kgf*cm, 12 in*lb)
- Continue to hold the actuator cover onto the motor.

Figure 10.



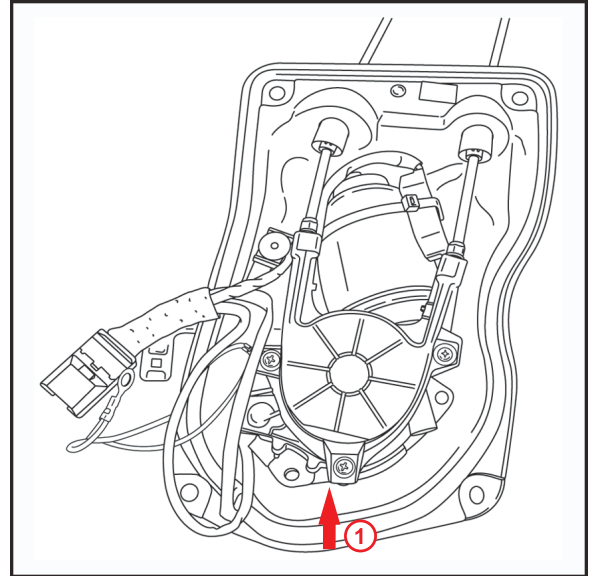
| | |
|----------|------------------|
| 1 | Screw "A" |
| 2 | Screw "B" |
| 3 | Screw "C" |

Power Function of Sliding Door Inoperative

Repair Procedure (Continued)

11. Push to install the motor sub-assembly onto the actuator cover.

Figure 11.

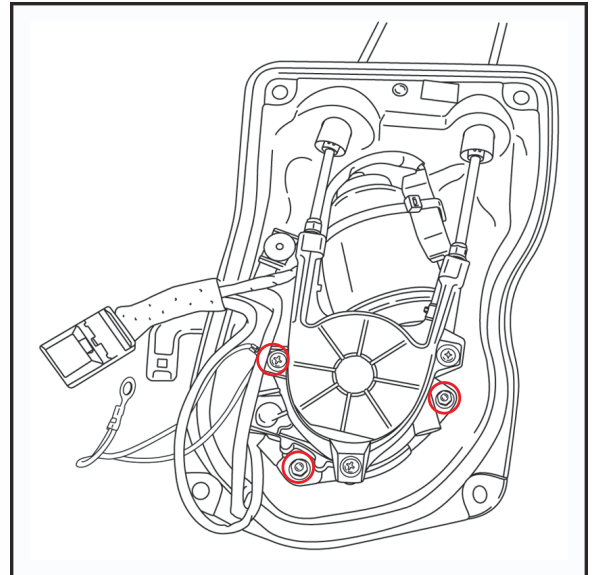


| | |
|----------|-------------|
| 1 | Push |
|----------|-------------|

12. Reinstall the motor onto the slide motor assembly with the three nuts.

Torque: 5.4 N*m (540 kgf*cm, 48 in*lbf)

Figure 12.

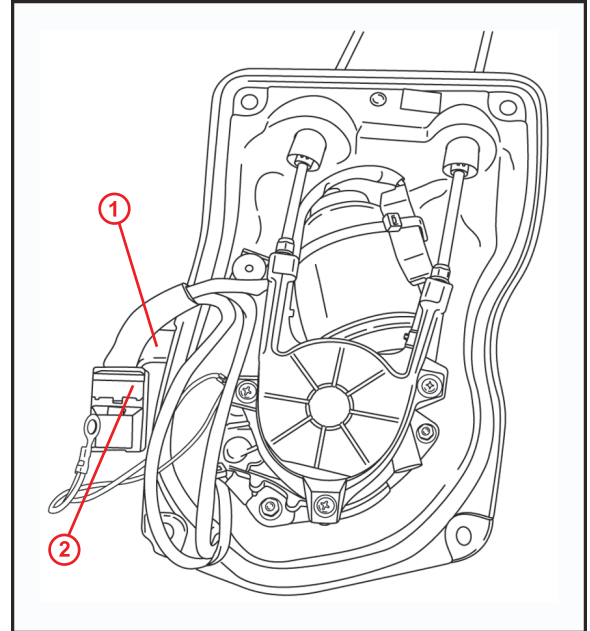


Power Function of Sliding Door Inoperative

Repair Procedure (Continued)

13. Reinstall the connector onto the bracket.

Figure 13.



| | |
|----------|------------------|
| 1 | Bracket |
| 2 | Connector |

14. Reinstall the assembly onto the door.

Refer to TIS, applicable model and model year Repair Manual:

- [2004](#) / [2005](#) Sienna:
Vehicle Exterior – Door/Hatch – “Power Slide Door: Overhaul”
- [2006](#) / [2007](#) Sienna:
Vehicle Exterior – Door/Hatch – “Engine Hood/Door: Power Slide Door: Reassembly”
- [2008](#) / [2009](#) / [2010](#) Sienna:
Vehicle Exterior – Door/Hatch – “Engine Hood/Door: Slide Door (w/Power Slide Door): Reassembly”

15. Reinitialize the sliding door.

16. Confirm the sliding door operation.