

Front Wheel Opening Extension Pad Installation During PDS

Service Category General

Section Pre-Delivery Service

Market USA

Lexus Supports ASE Certification

Applicability

| YEAR(S) | MODEL(S) | ADDITIONAL INFORMATION |
|---------|--------------|------------------------|
| 2018 | IS300, IS350 | |

Introduction

The front wheel opening extension pad set (right and left front wheel opening extension pads, six self-tapping screws) is loaded in the luggage compartment at the assembly plant to avoid damage in transit.

Install the front wheel opening extension pads onto the vehicle during Pre-Delivery Service (PDS).

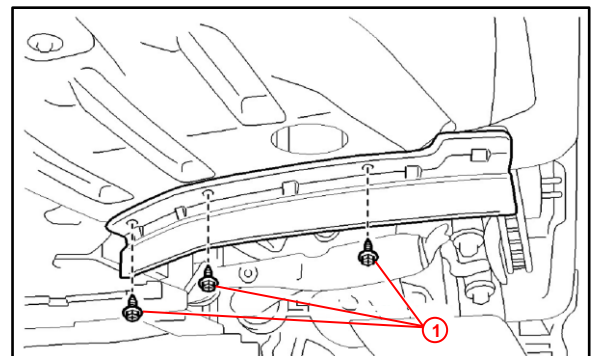
Warranty Information

| OP CODE | DESCRIPTION | TIME | OFF | T1 | T2 |
|---------|----------------------------|------|-----|----|----|
| N/A | Not Applicable to Warranty | - | - | - | - |

Installation Procedure

Install the left and right front wheel opening extension pads with the supplied self-tapping screws.

Figure 1.



| | |
|----------|---------------------------|
| 1 | Self-tapping Screw |
|----------|---------------------------|