

# Front License Plate and Mounting Bracket Installation During PDS

**Service Category** General

**Section** Pre-Delivery Service

**Market** USA

Lexus Supports  
ASE Certification 

## Applicability

YEAR(S)	MODEL(S)	ADDITIONAL INFORMATION
2018	NX300, NX300H	

## Introduction

The front license plate mounting bracket and two self-tapping screws for the 2018 model year NX 300 and NX 300h vehicles are stored in the rear cargo area of the vehicle.

Install the license plate and mounting bracket during Pre-Delivery Service (PDS).

## Warranty Information

OP CODE	DESCRIPTION	TIME	OFFP	T1	T2
N/A	Not Applicable to Warranty	–	–	–	–

## Front License Plate and Mounting Bracket Installation During PDS

### Installation Procedure

1. Install the mounting bracket.
  - A. Align holes "A" of the mounting bracket with the dimples on the radiator lower grille.

**HINT**

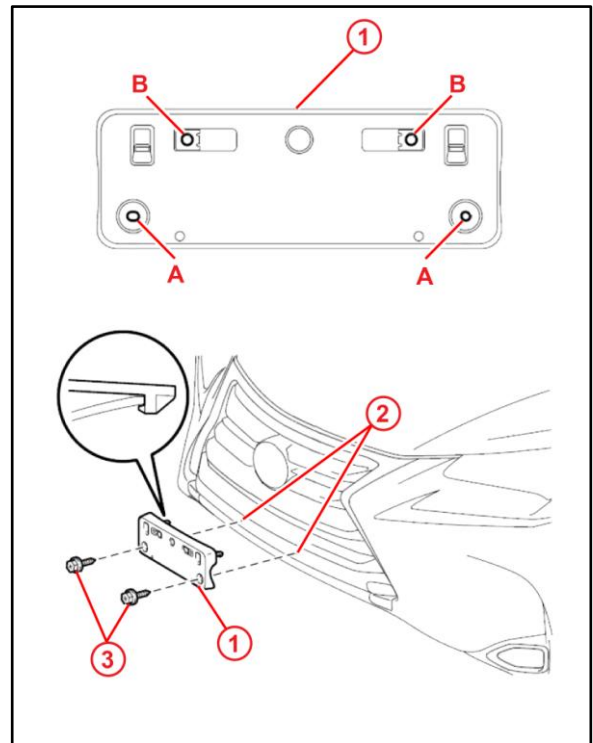
- Holes "A" are used to install the mounting bracket onto the bumper cover.
- Holes "B" are used to install the front license plate onto the mounting bracket.

- B. Engage the two clips and screw the two supplied self-tapping screws directly into the dimples to install the front license plate mounting bracket.

**NOTE**

- Do NOT pre-drill holes into the dimples on the front bumper cover.
- Do NOT over-tighten the self-tapping screws.

**Figure 1.**



1	Mounting Bracket
2	Dimples
3	Self-tapping Screws

## Front License Plate and Mounting Bracket Installation During PDS

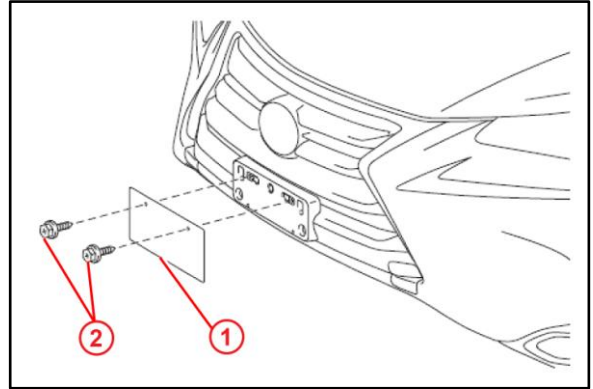
### Installation Procedure (Continued)

2. Install the front license plate onto the mounting bracket using two non-corroding bolts with the following dimensions:

**Nominal Length: 15.0 mm (0.59 in.)**

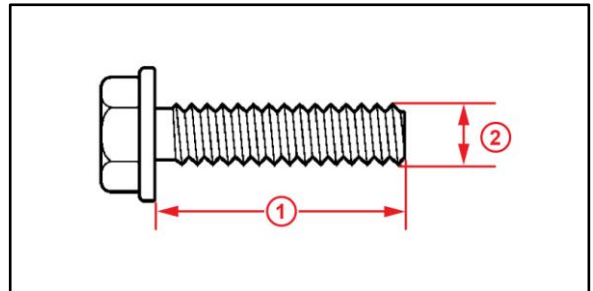
**Diameter: 6.0 mm (0.24 in.)**

**Figure 2.**



<b>1</b>	<b>Front License Plate</b>
<b>2</b>	<b>Bolts</b>

**Figure 3.**



<b>1</b>	<b>Nominal Length</b>
<b>2</b>	<b>Diameter</b>