



2018 PRE-DELIVERY SERVICE CHECK SHEET

Market: USA

August 2017

BEFORE INSPECTION		OK	Adjust	Repair
1 Install AUDIO1 and ROOM fuses (See page 2)		<input type="checkbox"/>		
FUNCTIONAL OPERATION				
<i>Apply parking brake and cycle ignition "I-G-ON;" place gear selector in reverse; turn on lights and rear defogger. Unlock all doors, release fuel door, release trunk hatch.</i>				
1 Check dome, courtesy, map, and sun visor lights*	<input type="checkbox"/>	<input type="checkbox"/>		
2 Check warning/indicator lights, gauges, and horn	<input type="checkbox"/>	<input type="checkbox"/>		
3 Check windshield wipers and washers	<input type="checkbox"/>	<input type="checkbox"/>		
4 Check headlights, instrument lights, turn signals, emergency flashers, and brake lights	<input type="checkbox"/>	<input type="checkbox"/>		
5 Check inside/outside rear view mirror operation/adjustment	<input type="checkbox"/>	<input type="checkbox"/>		
6 Check power outlet	<input type="checkbox"/>	<input type="checkbox"/>		
7 Check audio/navigation*/backup camera* systems, and set clock	<input type="checkbox"/>	<input type="checkbox"/>		
8 Set Oil Change Maintenance Monitor to 7,500 miles	<input type="checkbox"/>			
WALKAROUND INSPECTION				
<i>Start at left front door. Check window and door lock operation (from master power switch, if equipped). Continue around vehicle in a counterclockwise direction checking each door and window operation, child door locks, seat belts, interior condition, all lights, luggage compartment contents. Finish by checking headlight aim.</i>				
1 Check door and door lock operation, including each wireless remote control/theft deterrent system*	<input type="checkbox"/>	<input type="checkbox"/>		
2 Check power window operation	<input type="checkbox"/>	<input type="checkbox"/>		
3 Check that engine starts with all keys	<input type="checkbox"/>	<input type="checkbox"/>		
4 Check seats and seat belt operation	<input type="checkbox"/>	<input type="checkbox"/>		
5 Check rear defogger	<input type="checkbox"/>	<input type="checkbox"/>		
6 Check side marker, tail, backup, and license plate lights	<input type="checkbox"/>	<input type="checkbox"/>		
7 Check rear cargo area trim appearance	<input type="checkbox"/>	<input type="checkbox"/>		
8 Adjust spare tire pressure, inspect for damage, and check jack and tool installation	<input type="checkbox"/>	<input type="checkbox"/>		
9 Check headlight aim	<input type="checkbox"/>	<input type="checkbox"/>		
UNDER HOOD				
1 Check engine oil and ATM* fluid levels	<input type="checkbox"/>	<input type="checkbox"/>		
2 Check brake and clutch* fluid levels	<input type="checkbox"/>	<input type="checkbox"/>		
3 Check engine coolant level	<input type="checkbox"/>	<input type="checkbox"/>		
4 Check windshield washer fluid level	<input type="checkbox"/>	<input type="checkbox"/>		
5 Check battery State-Of-Charge using Digital Battery System Analyzer (SOC Reading: _____%)	<input type="checkbox"/>	<input type="checkbox"/>		
6 Inspect for fuel, oil, coolant, and other fluid leaks	<input type="checkbox"/>	<input type="checkbox"/>		
Notes:				

UNDER VEHICLE (ON HOIST)		OK	Adjust	Repair
1 Remove disc brake anti-rust covers/anti-corrosion wheel film* (remove just prior to customer delivery)	<input type="checkbox"/>			
2 Initialize Tire Pressure Warning System (TPWS) (See page 2)	<input type="checkbox"/>			
3 Inspect tires for defects/damage	<input type="checkbox"/>	<input type="checkbox"/>		
4 Install wheel caps (stored in glove box)	<input type="checkbox"/>	<input type="checkbox"/>		
5 Inspect for fuel, oil, coolant, and other fluid leaks	<input type="checkbox"/>	<input type="checkbox"/>		
6 Visually check bolts and nuts on chassis and powertrain for looseness	<input type="checkbox"/>	<input type="checkbox"/>		
7 Inspect under the vehicle for damage, rust, etc.	<input type="checkbox"/>	<input type="checkbox"/>		
ROAD TEST				
<i>A complete road test helps assure customer satisfaction. Drive vehicle over a variety of road surfaces and driving conditions. Check for unusual noise and driving performance.</i>				
Enter Odometer Readings				
Reading Before Test: _____ Reading After Test: _____				
1 Check cold engine operation	<input type="checkbox"/>	<input type="checkbox"/>		
2 Check engine operation during warm-up	<input type="checkbox"/>	<input type="checkbox"/>		
3 Check engine operation at normal operating temperature	<input type="checkbox"/>	<input type="checkbox"/>		
4 Check clutch/automatic transmission operation	<input type="checkbox"/>	<input type="checkbox"/>		
5 Check brake and parking brake operation	<input type="checkbox"/>	<input type="checkbox"/>		
6 Check steering operation and off-center/vehicle pull/flutter	<input type="checkbox"/>	<input type="checkbox"/>		
7 Inspect for abnormal noise and vibration	<input type="checkbox"/>	<input type="checkbox"/>		
8 Inspect for squeaks and rattles	<input type="checkbox"/>	<input type="checkbox"/>		
9 Check heater and A/C operation	<input type="checkbox"/>	<input type="checkbox"/>		
10 Check speedometer operation	<input type="checkbox"/>	<input type="checkbox"/>		
11 Check cruise control operation	<input type="checkbox"/>	<input type="checkbox"/>		
FINAL INSPECTION AND CLEANING				
1 Remove interior protective covers, unnecessary labels, tags, etc. (Remove just before delivery to customer)	<input type="checkbox"/>	<input type="checkbox"/>		
2 Verify floor mat application and install using retaining clips*	<input type="checkbox"/>	<input type="checkbox"/>		
3 Visually inspect all interior parts for installation, damage, fit, dirt, etc.	<input type="checkbox"/>	<input type="checkbox"/>		
4 Remove Rapgard™ & clear protective bumper film*	<input type="checkbox"/>	<input type="checkbox"/>		
5 Wash and clean vehicle	<input type="checkbox"/>	<input type="checkbox"/>		
6 Inspect paint finish for scratches, chips, rust, dents, damage, etc.	<input type="checkbox"/>	<input type="checkbox"/>		
7 Inspect exterior body parts for proper installation, damage, rust, etc.	<input type="checkbox"/>	<input type="checkbox"/>		
8 Place oil change sticker on inside of windshield, top left corner	<input type="checkbox"/>	<input type="checkbox"/>		
9 Perform Techstream Health Check	<input type="checkbox"/>	<input type="checkbox"/>		
10 Place Owner's Manual portfolio* in glove box	<input type="checkbox"/>	<input type="checkbox"/>		
11 Install front license plate* (See page 2)	<input type="checkbox"/>	<input type="checkbox"/>		
* Inspect or install when equipped/required.				

Completion and retention of this form is required to comply with Toyota's Warranty Policy.

TECHNICIAN'S SIGNATURE

SERVICE MANAGER'S SIGNATURE

We hereby certify that all items on this form have been checked and corrected for proper operation as required.

NAME (PLEASE PRINT)

NAME (PLEASE PRINT)

Date

Dealer Name

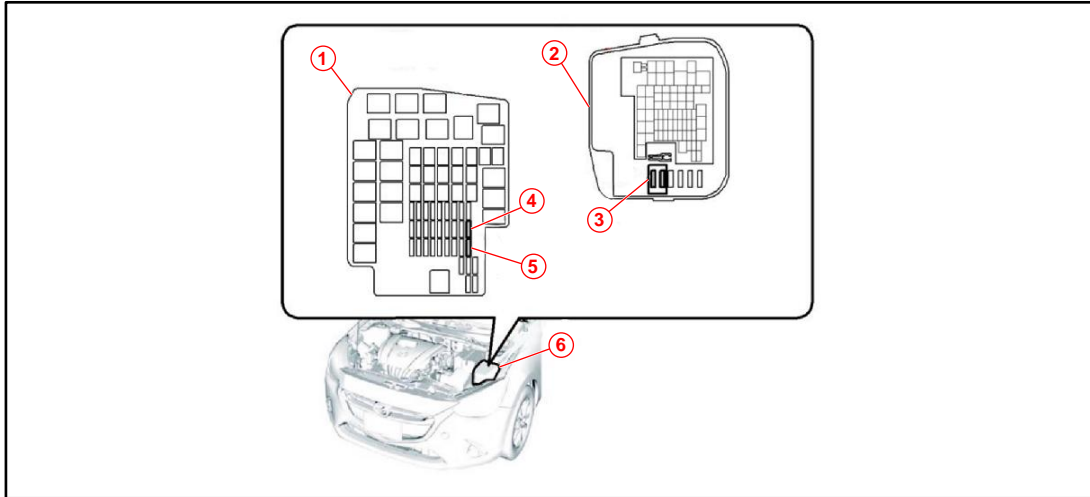
Dealer Code

Vehicle Identification Number (Sticker)

AUDIO1 FUSE AND ROOM FUSE INSTALLATION

To minimize battery discharge, the AUDIO1 and ROOM fuses have been removed and are stored in the engine compartment Relay Block. Install the AUDIO1 and ROOM fuses (both 25A) and confirm ALL related DTCs are cleared.

1. Remove AUDIO1 Fuse (25A) and ROOM Fuse (25A).
2. Install ROOM Fuse (25A) into original location.
3. Install AUDIO1 Fuse (25A) into original location.



- 1 Relay and Fuse Block
- 2 Relay and Fuse Block Cover
- 3 Remove AUDIO1 Fuse (25A) and ROOM Fuse (25A)
- 4 Install ROOM Fuse (25A) Here (Original Location)
- 5 Install AUDIO1 Fuse (25A) Here (Original Location)
- 6 Relay and Fuse Block Location

TIRE PRESSURE WARNING SYSTEM (TPWS) INITIALIZATION

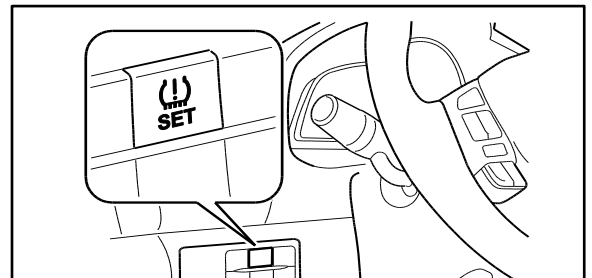
AFTER adjusting ALL tires to the standard air pressure, perform initialization of the TPWS during PDS according to the procedure outlined below.

1. Park the vehicle on a safe level area.
2. Adjust ALL four tire pressures to the specification while the tires are cold.

NOTICE

In order for the tires to be considered "cold" leave the vehicle for 1 hour, or if the vehicle is driven, do so within 0.99 miles (1.6 km).

3. Switch the ignition switch ON (engine OFF or ON).
4. Press and hold the tire pressure warning reset switch until the tire pressure monitoring system warning light flashes one or two times and the indicator alarm sounds one time.



HINT

- When the TPWS initialization is performed, learning initiates.
- While the TPWS is undergoing learning, its primary functions do NOT operate.

FRONT LICENSE PLATE INSTALLATION*

For states that require a front license plate, follow the front license plate installation procedure below.

1. Align the installation holes on the front license plate with the dimples on the front bumper.
2. Directly screw two self-tapping screws into the dimples to install the front license plate. Use self-tapping screws of a non-corroding type with the following dimensions:

Nominal Length: 15.0 – 20.0 mm (0.60 – 0.79 in.)

Diameter: 6.0 mm (0.24 in.)

NOTICE

- Do NOT pre-drill holes into the bumper.
- Do NOT overtighten the self-tapping screws.

