


D/C Cut Fuse Installation During PDS

Service Category General

Section Pre-Delivery Service

Market USA

Lexus Supports
ASE Certification 

Applicability

| YEAR(S) | MODEL(S) | ADDITIONAL INFORMATION |
|---------|----------|------------------------|
| 2018 | LX570 | |

Introduction

To minimize battery discharge during transportation and storage, the D/C Cut Fuse (30A) has been removed at the assembly plant and temporarily stored in the engine compartment Relay Block. Reinstall the D/C Cut Fuse (30A) into its original location and confirm all related diagnostic trouble codes (DTCs) are cleared during Pre-Delivery Service (PDS).

Warranty Information

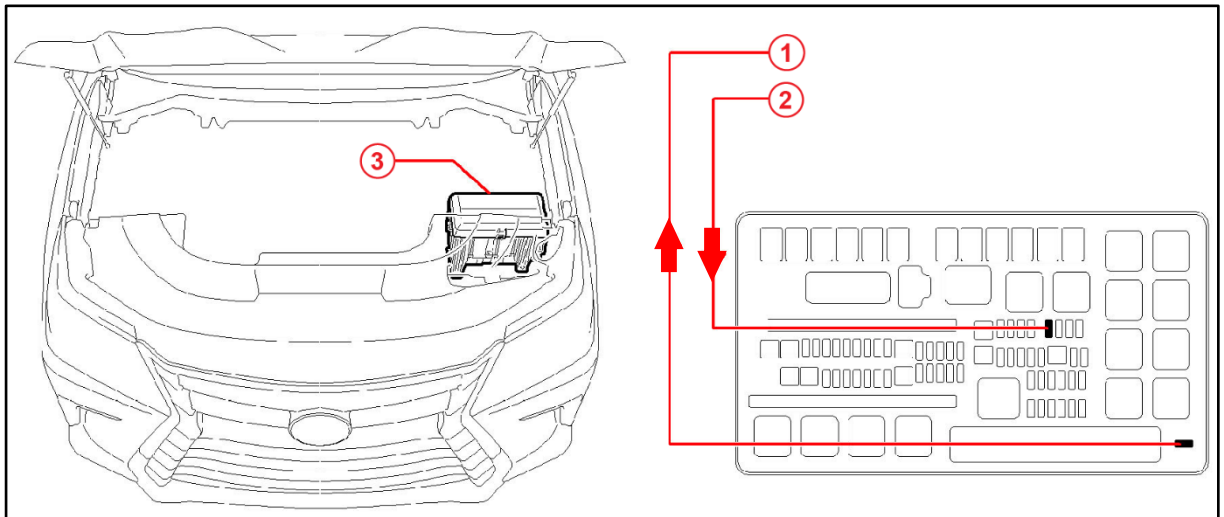
| OP CODE | DESCRIPTION | TIME | OFP | T1 | T2 |
|---------|----------------------------|------|-----|----|----|
| N/A | Not Applicable to Warranty | – | – | – | – |

D/C Cut Fuse Installation During PDS

Installation Procedure

Remove the D/C Cut Fuse (30A) from the blank space of the Relay Block in the engine compartment and install it in the location shown below during PDS.

Figure 1.



| | |
|---|---|
| 1 | Remove This D/C Cut Fuse (30A) |
| 2 | Install D/C Cut Fuse (30A) Here (Original Location) |

| | |
|---|-------------|
| 3 | Relay Block |
|---|-------------|