

Front License Plate & Mounting Bracket Installation

Service Category General

Section Pre-Delivery Service

Market USA

Lexus Supports
ASE Certification 

Applicability

YEAR(S)	MODEL(S)	ADDITIONAL INFORMATION
2018	GX460	

Introduction

The front license plate mounting bracket and two self-tapping screws for the 2018 model year GX 460 are stored in the glove compartment of the vehicle. Install the license plate and mounting bracket during Pre-Delivery Service (PDS).

Warranty Information

OP CODE	DESCRIPTION	TIME	OFFP	T1	T2
N/A	Not Applicable to Warranty	–	–	–	–

Front License Plate & Mounting Bracket Installation

Installation Procedure

1. Align holes "A" of the mounting bracket with the dimples on the front bumper cover. Mark the location of holes "B" on the front bumper cover.

NOTE

- Holes "A" are used to install the mounting bracket to the bumper cover.
- Holes "B" are used to install the front license plate to the mounting bracket.

NOTICE

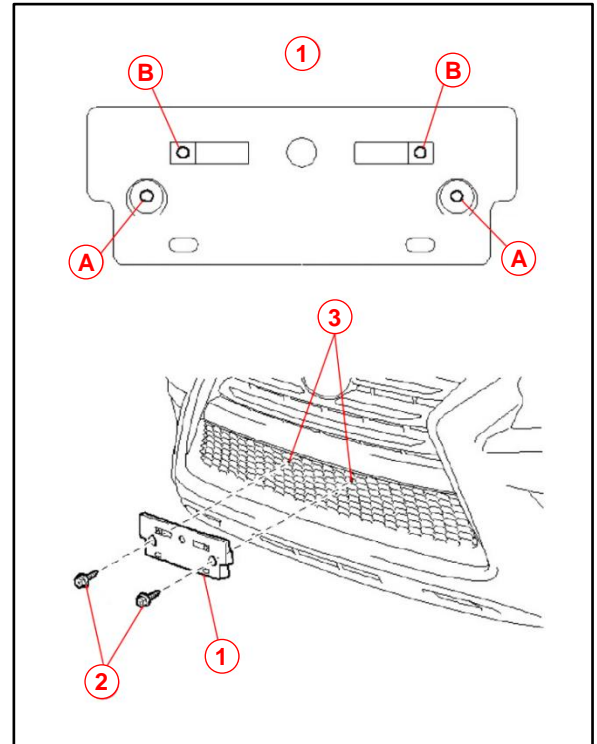
Do NOT drill into the dimples on the front bumper cover.

2. Install the mounting bracket to the front bumper cover (holes "A") using the two supplied self-tapping screws.

NOTE

Be sure to tighten both the driver side and passenger side screws.

Figure 1.



1	Mounting Bracket
2	Self-tapping Screws
3	Dimples

Front License Plate & Mounting Bracket Installation

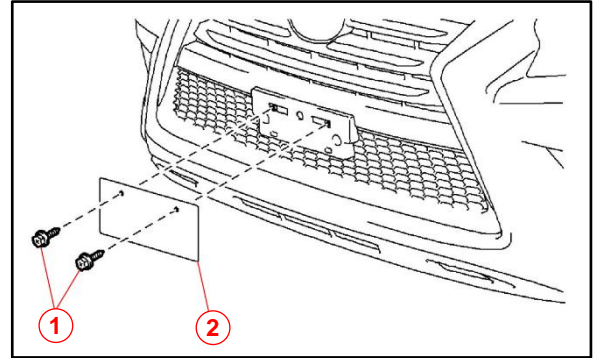
Installation Procedure (Continued)

3. Install the front license plate to the mounting bracket using two non-corroding bolts with the following dimensions:

Nominal Length: 15.0 mm (0.59 in.)

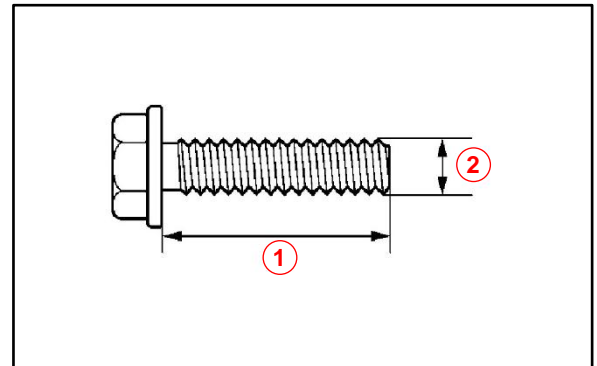
Diameter: 6.0 mm (0.24 in.)

Figure 2.



1	Bolts
2	Front License Plate

Figure 3.



1	Nominal Length
2	Diameter