



TOYOTA AVALON/AVALON HV

2018 PRE-DELIVERY SERVICE CHECK SHEET

Market: USA

June 2017

BEFORE INSPECTION

OK Adjust Repair

1 **Install Short Pin*** (Hawaii, Puerto Rico, Saipan, Guam, American Samoa)

FUNCTIONAL OPERATION

Apply parking brake and cycle ignition "IG-ON"; place gear selector in reverse; turn on lights and rear defogger. Unlock all doors, release fuel door, release trunk hatch.

- 1 Check dome, courtesy, map, and sun visor lights*
- 2 Check warning/indicator lights, gauges, and horn
- 3 Check windshield wipers and washers
- 4 Check headlights, instrument lights, turn signals, emergency flashers, and brake lights
- 5 Check inside/outside rear view mirror operation/adjustment
- 6 Check USB and 12V power outlets
- 7 Check audio/navigation*/backup camera systems and set clock.....
- 8 Install shift-lock override button cover.....
- 9 Check sliding roof*
- 10 Check rear sunshade operation*

WALKAROUND INSPECTION

Start at left front door. Check window and door lock operation (from master power switch, if equipped). Continue around vehicle in a counterclockwise direction checking each door and window operation, child door locks, seat belts, interior condition, all lights, luggage compartment contents. Finish by checking headlight aim and continue into UNDER HOOD checks.

- 1 **Check Smart Key System**
- 2 Check door and door lock operation, including each wireless remote control/theft deterrent system*
- 3 Check window operation.....
- 4 Check that engine starts with all keys.....
- 5 Check that child safety door locks are in normal (unlocked) position
- 6 Check seats and seat belt operation
- 7 Check rear defogger/rear view mirror defogger*.....
- 8 Check side marker, tail, backup, and license plate lights....
- 9 Check luggage compartment light* and trim appearance ...
- 10 Adjust spare tire pressure, inspect for damage, and check jack and tool installation.....
- 11 Check headlight aim

UNDER HOOD

- 1 Check engine oil level.....
- 2 Check brake fluid level.....
- 3 Check engine coolant level.....
- 4 Check inverter coolant level*
- 5 Check windshield washer fluid level
- 6 **Check battery State-of-Charge (SOC) using Digital Battery System Analyzer (SOC Reading: _____%)**
- 7 Inspect for fuel, oil, coolant, and other fluid leaks

BATTERY MAINTENANCE*

- 1 **Perform HV battery check and maintenance**.....

* Inspect or install when equipped/required.

Notes:

UNDER VEHICLE (ON HOIST)

OK Adjust Repair

- 1 **Remove disc brake anti-rust covers/anti-corrosion wheel film*** (remove just prior to customer delivery)
- 2 Inspect tires for defects/damage.....
- 3 Initialize Tire Pressure Warning System (TPWS) (**See page 2**)
- 4 Install wheel covers/caps/spare tire wheel covers*
- 5 Check hybrid transaxle fluid level*
- 6 Inspect for fuel, oil, coolant, and other fluid leaks
- 7 Inspect under the vehicle for damage, rust, etc.....
- 8 Visually check bolts and nuts on chassis and powertrain for looseness
- 9 Install rubber body plugs (stored in glove box or center console)*
- 10 Install front wheel opening extension pads (**See page 2**)....

ROAD TEST

A complete road test helps assure customer satisfaction. Drive vehicle over a variety of road surfaces and driving conditions. Check for unusual noise and driving performance.

Enter Odometer Readings
Reading Before Test: _____ Reading After Test: _____

- 1 Check cold engine operation
- 2 Check engine operation during warm-up
- 3 Check engine operation at normal operating temperature...
- 4 Check transaxle operation*
- 5 Check brake and parking brake operation
- 6 Check steering operation and off-center/vehicle pull/flutter .
- 7 Inspect for abnormal noise and vibration
- 8 Inspect for squeaks and rattles.....
- 9 Check Blind Spot Monitor System*
- 10 Check front and rear* heater and A/C operation.....
- 11 Check cruise control operation*
- 12 Check front seat heater/ventilation* operation
- 13 Check driver's seat memory operation*
- 14 Set/calibrate compass* (**See page 2**).....

FINAL INSPECTION AND CLEANING

- 1 Remove interior protective covers, unnecessary labels, tags, etc. (Remove just before delivery to customer)
- 2 Visually inspect all interior parts for installation, damage, fit, dirt, etc.....
- 3 **Verify floor mat application and install using retaining clips***
- 4 Verify green light is illuminated on SOS (Safety Connect) button*
- 5 Remove Rapgard™ and clear protective bumper film*
- 6 Wash and clean vehicle.....
- 7 Inspect paint finish for scratches, chips, rust, dents, damage, etc.....
- 8 Inspect exterior body parts for proper installation, damage, rust, etc.....
- 9 Place oil change sticker on inside of windshield, top left corner.....
- 10 Place Owner's Manual portfolio* in glove box.....
- 11 Install front license plate and mounting bracket* (**See page 2**)
- 12 Perform Techstream Health Check

Completion and retention of this form is required to comply with Toyota's Warranty Policy.

TECHNICIAN'S SIGNATURE

SERVICE MANAGER'S SIGNATURE

We hereby certify that all items on this form have been checked and corrected for proper operation as required.

NAME (PLEASE PRINT)

NAME (PLEASE PRINT)

Date

Dealer Name

Dealer Code

Vehicle Identification Number (Sticker)

TIRE PRESSURE WARNING SYSTEM (TPWS) INITIALIZATION

Refer to the Repair Manual for the Initialization procedure ([Avalon](#) / [Avalon HV](#)). Please note the spare tire does not have a TPWS sensor.

NOTE

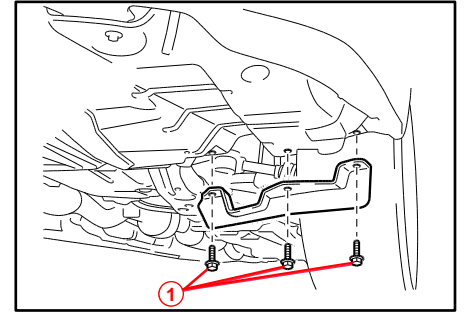
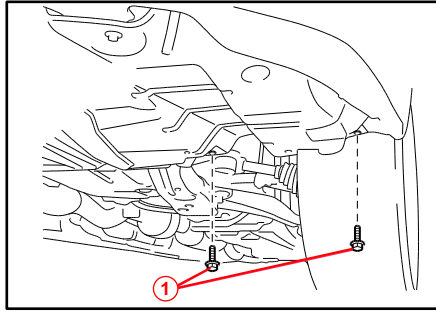
To adjust the tire pressure correctly when the outside temperature is significantly colder than shop temperature, perform a Health Check using Techstream and select the "Compensation Tire Pressure" checkbox. Compensation pressures will be displayed on the Health Check results screen. Adjust the tire pressure when the tires are cold.

FRONT WHEEL OPENING EXTENSION PAD INSTALLATION

The front wheel opening extension pad set (right and left front wheel opening extension pads and 2 tapping screws) is loaded in the luggage compartment at the assembly plant to avoid damage in transit.

1. Remove the 2 tapping screws from the engine under cover (the screws will be reused for installation).
2. Place the left front wheel opening extension pad on the installation position as shown and tighten the 3 tapping screws.
3. Repeat steps 1 and 2 for the right side.

1 Tapping Screws



COMPASS CALIBRATION

Refer to the Repair Manual for the Calibration procedure ([Avalon](#) / [Avalon HV](#)) for vehicles equipped with a compass in the rear view mirror.

NOTE

- Do NOT perform calibration of the compass in a place where the Earth's magnetic field is subject to interference (underground parking, under a steel tower, between buildings, roof parking, near a railroad crossing, near a large vehicle, etc.).
- During calibration, do NOT operate electric systems (moon roof, power windows, etc.) as they may interfere with the calibration.

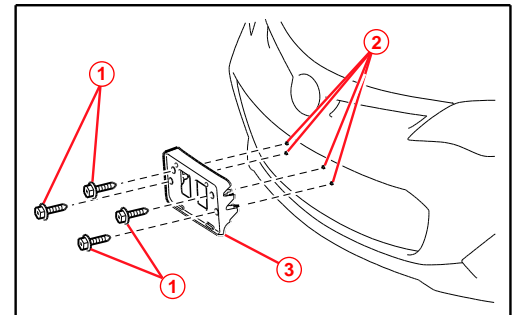
FRONT LICENSE PLATE & MOUNTING BRACKET INSTALLATION*

The front license plate mounting bracket set (front license plate mounting bracket, 4 long self-tapping screws and 2 short self-tapping screws) is loaded in the luggage compartment at the assembly plant.

1. Align the holes on the front license plate mounting bracket with the dimples on the front of the lower grille.
2. Install the 4 long self-tapping screws through the holes on the front license plate mounting bracket into the lower grille.
3. Insert the license plate into the tabs on the bracket.

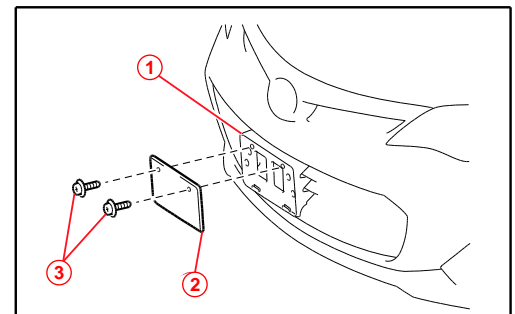
Short Self-tapping Screw: 20 mm (0.787 in.)

Long Self-tapping Screw: 37 mm (1.456 in.)



1 Long Self-tapping Screws
2 Dimples

3 Front License Plate Mounting Bracket



1 Front License Plate Mounting Bracket

2 License Plate
3 Short Self-tapping Screw

NOTICE

- Do NOT pre-drill holes into the bumper.
- Do NOT overtighten the self-tapping screws.

4. Align the holes on the license plate with the corresponding holes of the front license plate mounting bracket.
5. Install 2 short self-tapping screws through the holes on the front license plate mounting bracket and license plate.

NOTICE

- Do NOT pre-drill holes into the bumper.
- Do NOT overtighten the self-tapping screws.