

Subject HV Battery Cooling System Filter Maintenance		Market USA
Service Category Vehicle Interior	Section Meter/Gauge/Display	
Applicability All Hybrid Models		

APPLICABLE VEHICLES

2016-2018	RAV4 HV	2010-2018	Prius
2013-2018	Avalon HV	2010, 2012-2015	Prius PHV
2012-2018	Prius V	2017-2018	Prius Prime
2012-2018	Prius C	2012-2018	Highlander HV
2011-2018	Camry HV		

CONDITION

Some Customers may complain about a Hybrid Vehicle Battery cooling system warning message. This warning message may appear when the HV Battery cooling system loses efficiency due to debris on the filter and or some object obstructing the air inlet. Refer to the information below to address this issue.



RECOMMENDATIONS

It is suggested to:

1. Clean the HV Battery cooling system filter every 5K miles.
 2. Keep the HV Battery cooling system air inlet area free of debris such as towels or paper.
- The following illustrations indicate the location of the HV Battery cooling system filter for specific Hybrid models.
 - Search TIS for the procedure to access the filter on the vehicle you are working on.
 - It is recommended to use a vacuum to clean the filter. If a vacuum is not available and compressed air is used, make sure the filter is off the duct when blowing in order to prevent dust and debris from entering the HV Battery.



Subject

HV Battery Cooling System Filter Maintenance

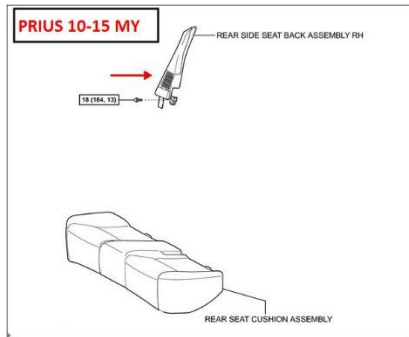
Market

USA

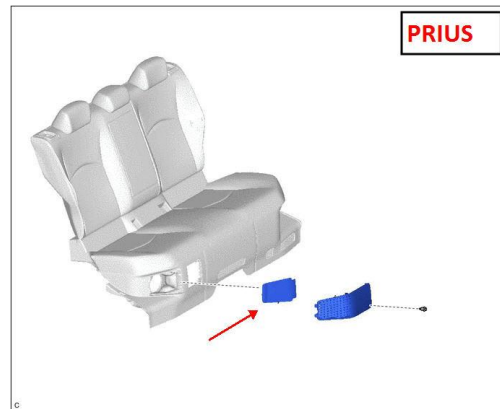
Applicability

RECOMMENDATIONS

2010-2015 Prius the filter is located on the right rear of the passenger compartment Refer to TSB-0013-14 for more details



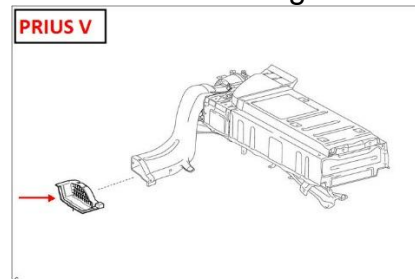
2016-2017 Prius filter location



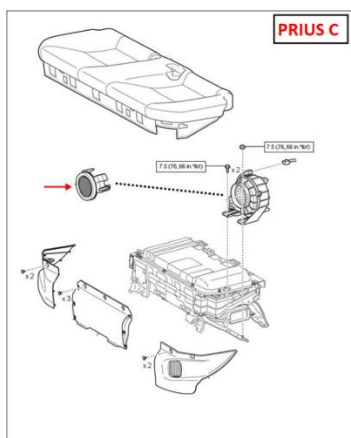
2017 Prius Prime filter location
NOTE: 2 filters



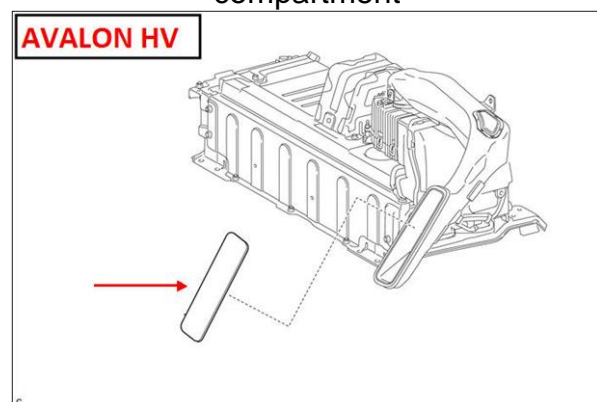
2012-2017 Prius V the filter is located under the rear seat on the right side



2012-2017 Prius C the filter is mounted in front of the rear seat on the driver side



2012-2017 Avalon HV and Camry HV the filter is located on the left side of the rear passenger compartment





Subject

HV Battery Cooling System Filter Maintenance

Market

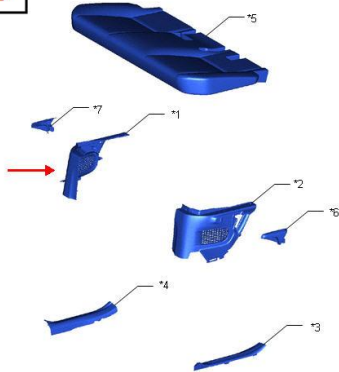
USA

Applicability

RECOMMENDATIONS

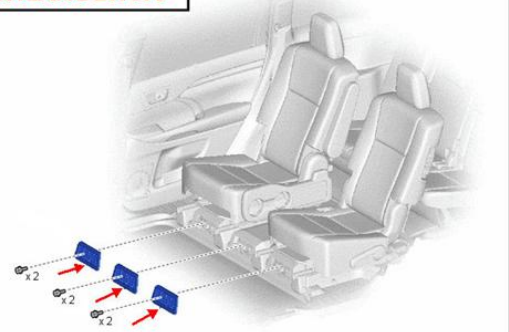
2016-2017 RAV4 HV the filter location is to the left of the rear seat

RAV4 HV



2006-2017 Highlander HV there are 3 filters located in the front lower area of the rear seat

HIGHLANDER HV



LINK REFERENCES

1. [HYBRID / BATTERY CONTROL: BATTERY COOLING FILTER: INSPECTION; 2016 - 2017 MY Prius \[11/2015 - ???????\]](#)
2. [HYBRID / BATTERY CONTROL: BATTERY COOLING FILTER: COMPONENTS; 2016 - 2017 MY Avalon HV \[10/2015 - ???????\]](#)
3. [HYBRID / BATTERY CONTROL: BATTERY BLOWER: COMPONENTS; 2017 MY Camry HV \[06/2016 - ???????\]](#)
4. [HYBRID / BATTERY CONTROL: BATTERY COOLING FILTER: COMPONENTS; 2014 - 2017 MY Highlander HV \[02/2014 - ???????\]](#)
5. [HYBRID / BATTERY CONTROL: BATTERY BLOWER: COMPONENTS; 2016 - 2017 MY Prius C \[11/2015 - ???????\]](#)