

# Front License Plate & Mounting Bracket Installation

**Service Category** General

**Section** Pre-Delivery Service

**Market** USA

Lexus Supports  
ASE Certification 

## Applicability

YEAR(S)	MODEL(S)	ADDITIONAL INFORMATION
2018	LC500, LC500H	

## Introduction

The front license plate mounting bracket and self-tapping screws for the 2018 model year LC 500 and LC 500h are stored in the luggage compartment of the vehicle. Install the license plate and mounting bracket during Pre-Delivery Service (PDS).

## Warranty Information

OP CODE	DESCRIPTION	TIME	OFP	T1	T2
N/A	Not Applicable to Warranty	–	–	–	–

# Front License Plate & Mounting Bracket Installation

## Installation Procedure for LC 500/500h

1. Locate the front license plate mounting bracket over the radiator grille.
2. Align holes "A" of the mounting bracket with the dimples on the front bumper cover.

**NOTICE**  
Do NOT drill into the dimples on the front bumper cover.

**NOTE**

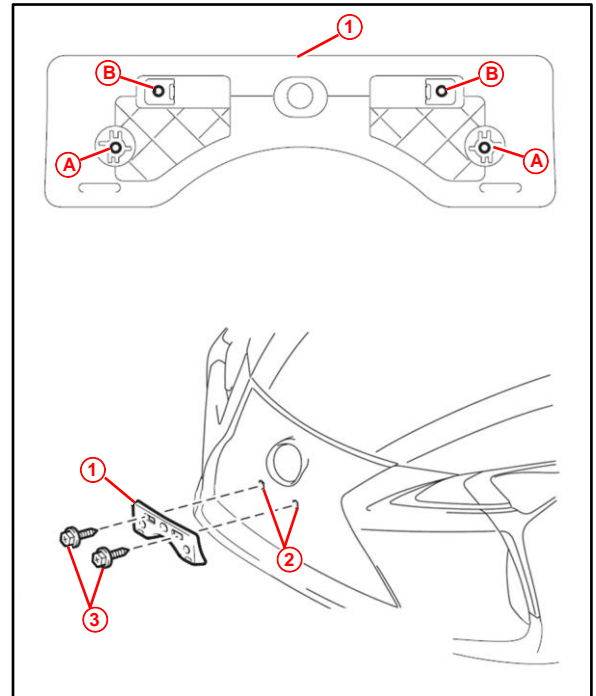
- Holes "A" are used to install the mounting bracket to the bumper cover.
- Holes "B" are used to install the front license plate to the mounting bracket.

3. Screw the 2 self-tapping screws directly into the dimples to install the front license plate mounting bracket.

**NOTICE**  
Do NOT over-tighten the self-tapping screws.

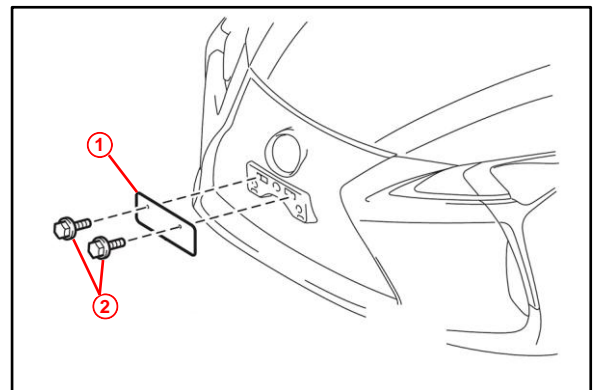
4. Install the front license plate to the mounting bracket using the 2 bolts.

Figure 1.



1	Mounting Bracket
2	Dimples
3	Self-tapping Screws

Figure 2.



1	Front License Plate
2	Bolts

## Front License Plate & Mounting Bracket Installation

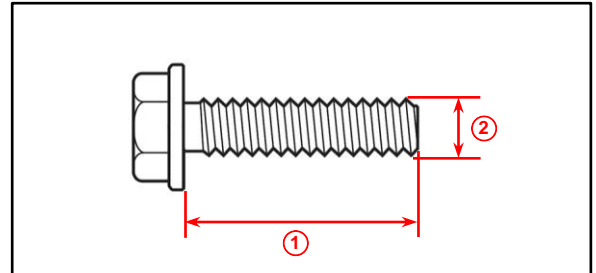
### Installation Procedure for LC 500/500h (Continued)

5. Use bolts of non-corroding type with the following size for installation of the front license plate:

**Nominal Length: 15.0 mm (0.59 in.)**

**Diameter: 6.0 mm (0.24 in.)**

**Figure 3.**



<b>1</b>	<b>Nominal Length</b>
<b>2</b>	<b>Diameter</b>