



Countries: AUSTRALIA, CANADA, UNITED STATES, MEXICO **Document ID:** IK1201353
Availability: ISIS, Bus ISIS, FleetISIS, IsSIR **Revision:** 2
Major System: ENGINES **Created:** 11/18/2016
Current Language: English **Last Modified:** 7/5/2017
Other Languages: NONE **Author:** Sean McGannon
Viewed: 6795

[Less Info](#)

Hide Details Coding Information

Copy Link 	Copy Relative Link 	Bookmark View My Bookmarks	Add to Favorites 	Print 	Provide Feedback 	Helpful 34	Not Helpful 11
----------------------	-------------------------------	--	-----------------------------	------------------	-----------------------------	--------------------------	------------------------------

Title: MAXXFORCE DT/9/10 & N9/10 EGR COOLER KITS

Applies To: MAXXFORCE DT/9/10 & N9/10

CHANGE LOG

Please refer to the change log text box below for recent changes to this article:

07/05/2017 - Updated Service Parts Information to support new EGR cooler part numbers
 11/28/2016 - Updated ESN Range
 11/18/2016 - Initial Article Release

DESCRIPTION

This document will guide the user through identifying the correct EGR cooler kit part number to order.

SYMPTOM(s)

Diagnostic Trouble Code(s) & Dashboard Indicator Light(s):

DTC/Light	Description
N/A	N/A

Customer Observations or Concerns:
N/A

SPECIAL TOOL(s) / SOFTWARE

Tool Description	Tool Number	Comments	Instructions
N/A			

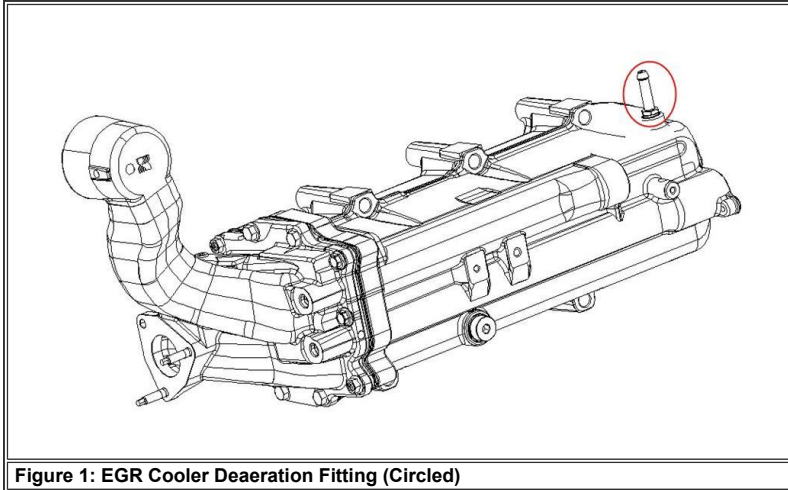
[Tools Resource Center](#)

SERVICE PARTS INFORMATION

Match the Engine's serial number (ESN) to one of the ESN ranges below to determine which EGR cooler kit to use.

Kit Description	Part Number	Parts Catalog Description	ESN Range	Notes
2010-2012 MaxxForce DT/9/10 EGR Cooler Kit	2513976C92	KIT, EGR CLR HIGH FIN DENS	3300001-3335658 3400000-3448910	

2013+ MaxxForce DT/9/10 EGR Cooler Kit	5010734R92	KIT, REMANUFACTURED EGR COOLER HIGH FIN	3336436-3390000 3500000-3526177	
N9/10 EGR Cooler Kit	2515854C91	KIT, EGR CLR W/INTEG ORIFICE VENT FITTING	3540000-3554389	For this ESN range the deaeration fitting provided in the kit is incorrect. Remove the fitting from the old EGR cooler and install it in the new cooler. If you are unable to remove the old fitting it is damaged install fitting part number 1845852C91. For location refer to Figure 1 below. Failure to install the correct fitting can lead to cooling system damage.
N9/10 EGR Cooler Kit	2515854C91	KIT, EGR CLR W/INTEG ORIFICE VENT FITTING	3554390 and above	



DIAGNOSTIC STEP(s)

N/A

WARRANTY INFORMATION

Warranty Claim Coding:

Refer to the [Warranty Coding Manual](#) for Group and Noun Codes.

Standard Repair Time(s):

Refer to the [SRT Manual](#) for Repair Times

OTHER RESOURCES

[Master Service Information Site](#)

1889336C9*

Hide Details

Feedback Information

Viewed: 6794

Helpful: 34

Not Helpful: 11

Staff ID	Client ID	Comments	Created Date
	DYYCASA	You received the following feedback From: dyycasa - Craig Stishenko Email Address: craig@cooksonmotors.com Job Classification: PA003, Parts Counter Person Dealer: IRL COOKSON MTRS KELOWNA Feedback: We received this EGR cooler, Part# 2513976C92 and it does not include the plug for the large threaded hole in the end of the cooler body. I'm told that the large open threaded hole in the end of the cooler was for manufacturing purposes only - as per IKNOW case # 3767830 This is a large threaded hole, that looks as though the cooler will leak once installed. I've already had 3 instances of this causing much confusion. Charles with your IKNOW support team says that he has received many cases about this specifically. Why would you not just supply a plug for the end of the cooler, just to eliminate confusion???? Every single cooler I sell is going to include a lengthy conversation about this open threaded hole. This is going to waste so much of Navistar's time, the dealers time, and the customers time..... I do not see this as "UP TIME". Can you not just supply a plug? Craig Stishenko 250 763 2327 IRL-Cookson Kelowna, BC - Canada	7/19/2017 11:29:26 AM