



Countries: CANADA, UNITED STATES, MEXICO **Document ID:** IK0900121
Availability: ISIS, NotSIR **Revision:** 0
Major System: COOLING **Created:** 7/18/2017
Current Language: English **Last Modified:** 7/19/2017
Other Languages: NONE **Author:** Jon Pierce
Viewed: 50

[Less Info](#)

Hide Details

Coding Information

Copy Link 	Copy Relative Link 	Bookmark View My Bookmarks	Add to Favorites 	Print 	Provide Feedback 	Helpful 1	Not Helpful 1
----------------------	-------------------------------	--	-----------------------------	------------------	-----------------------------	-------------------------	-----------------------------

Title: HVAC line rub

Applies To: Workstars with Cummins B series engines and stationary grille feature code 009HBM

CHANGE LOG

Please refer to the change log text box below for recent changes to this article:

07/20/2017 - Initial Article Release

DESCRIPTION

This document will guide the user through identifying and repairing an HVAC line rub on Workstar units equipped with a stationary grill.

SYMPTOM(s)

1. Hard contact between the grill and HVAC line.
2. When the hood is lowered the grille may not line up evenly with the hood shroud.
3. Grille damage

Diagnostic Trouble Code(s) & Dashboard Indicator Light(s):

Not Applicable

Customer Observations or Concerns:

Visual asstetics

SPECIAL TOOL(s) / SOFTWARE

Not Applicable

SERVICE PARTS INFORMATION

Part Description	Part Number	Package Qty.	Notes
Spacer Battery MTG Tray	598879C3	12	as needed

DIAGNOSTIC STEP(s)

WARNING:

WARNING! To prevent property damage, personal injury, and / or death, park vehicle on a hard, flat surface, turn the engine off, set the parking brake, and install wheel chocks to prevent the vehicle from moving in either direction.

WARNING! To prevent property damage, personal injury, and / or death, if the vehicle must be raised, do not work under the vehicle supported only by jacks. Jacks can slip or fall over.

WARNING! To prevent personal injury and / or death, always wear safe eye protection when performing vehicle maintenance.

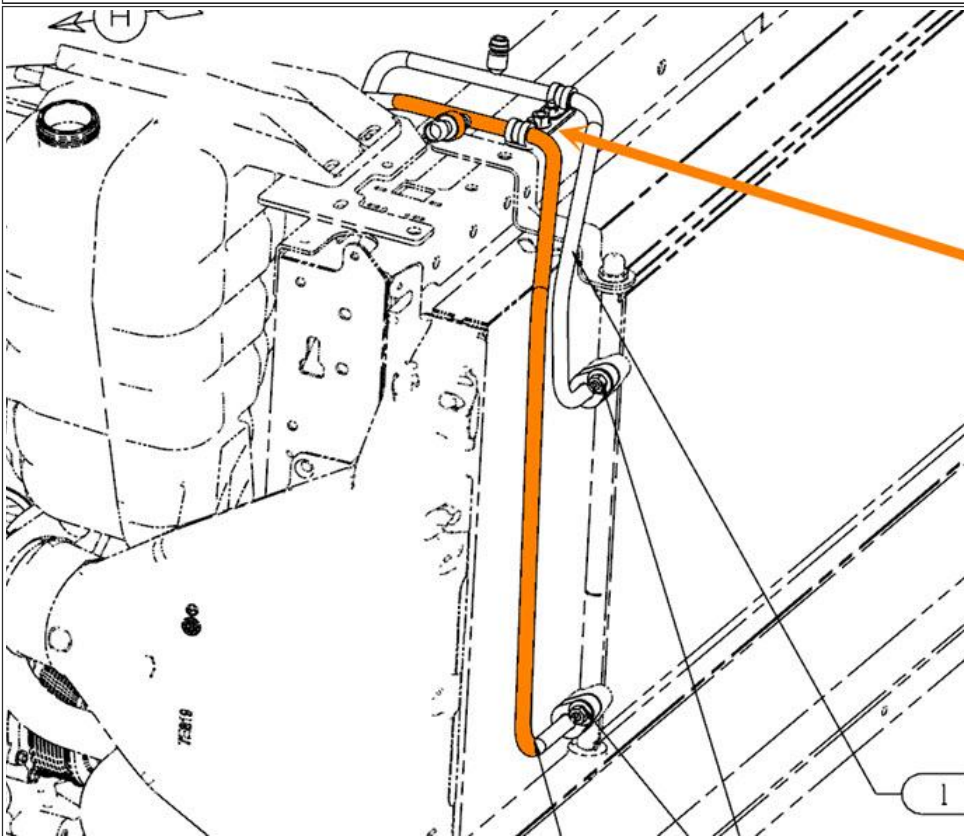
WARNING! To prevent property damage, personal injury, and / or death, keep flames or sparks away from vehicle and do not smoke while servicing the vehicle's batteries. Batteries expel explosive gases.

WARNING! To prevent property damage, personal injury, and / or death, remove the ground cable from the negative terminal of the battery box before disconnecting any electrical components. Always connect the ground cable last.

CAUTION:

If the line is damaged and no longer usable, please refer to the workstar service manual for proper handling of R134 refrigerant.

Step	Action	Decision
# 1	Refer to photo and line drawing below: Is hard contact between the line and the grille assembly observed?	<p>Yes. Refer to repair instructions.</p> <p>No. Return to service if no other repairs are needed and contact is not observed.</p>



Typical rub point when grille is inset too far

REPAIR STEP(s)

REMOVAL PROCEDURE:

1. Unlatch and open the hood

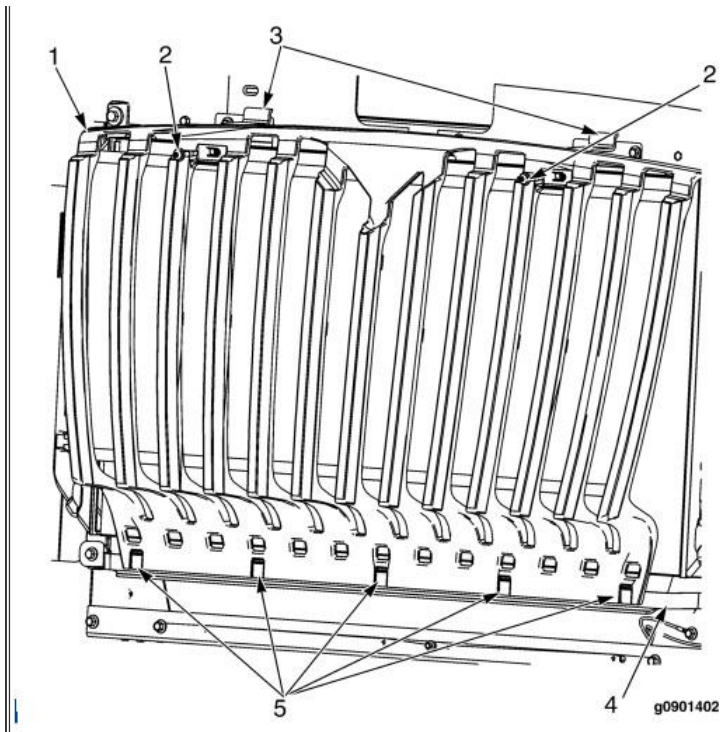


Figure #2: Grille

- Item 1: Grille
- Item 2: Screw
- Item 3: Mount Bracket
- Item 4: Type Lower Mount Bracket

2. Remove two screws attaching the grille to the mount brackets on the radiator frame.
3. Lift grille upward to release the mount tabs from the lower mount bracket and remove the grille.

INSTALLATION PROCEDURE:

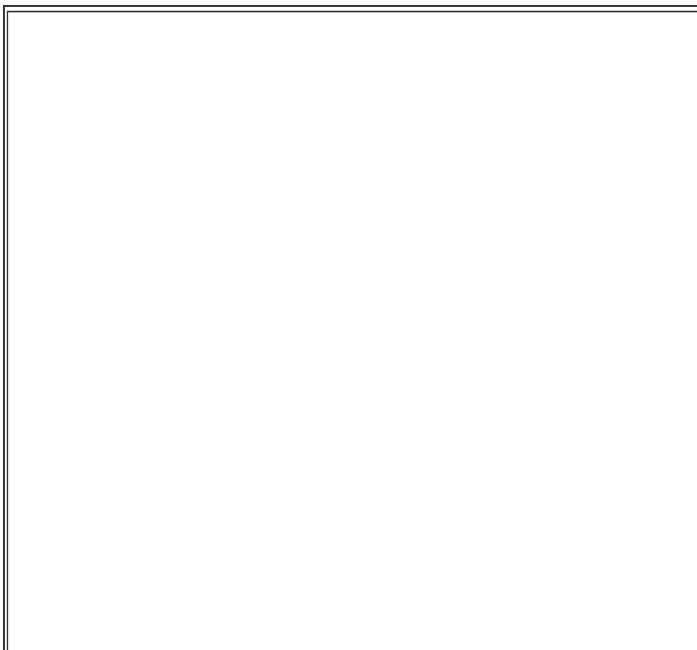




Figure #3: - Shimmed out Grille

1. Install spacers on bolts that attach the grille to the upper mount.
2. Obtain locally longer bolts if needed to accommodate the spacers.
3. Align the mount tabs with the lower mount bracket and lower the grille into place.
4. Align the holes and install screws in the grille and mount brackets. Torque 8 to 10 N•m ((71 to 89 lb-in).
5. Verify hard contact no longer exists and the grille assembly lines up with the grille shroud and does not protrude out past the shroud.

WARRANTY INFORMATION

Warranty Claim Coding:

Refer to the [Warranty Coding Manual](#) for Group and Noun Codes.

Standard Repair Time(s):

Refer to the [SRT Manual](#) for Repair Times

OTHER RESOURCES

[Master Service Information Site](#)

 Hide Details

Feedback Information

Viewed: 49
Helpful: 1
Not Helpful: 1

No Feedback Found

Copyright © 2017 Navistar, Inc.