



**Countries:** CANADA, UNITED STATES **Document ID:** IK0700099  
**Availability:** **Revision:** 0  
**Major System:** EXHAUST **Created:** 7/28/2017  
**Current Language:** English **Last Modified:** 7/28/2017  
**Other Languages:** NONE **Author:** Mujtaba Aidroos  
**Viewed:** 92

[Less Info](#)

Hide Details

Coding Information

<b>Copy Link</b> 	<b>Copy Relative Link</b> 	<b>Bookmark</b>  <a href="#">View My Bookmarks</a>	<b>Add to Favorites</b> 	<b>Print</b> 	<b>Provide Feedback</b> 	<b>Helpful</b>  0	<b>Not Helpful</b>  0
----------------------	-------------------------------	--	-----------------------------	------------------	-----------------------------	-------------------------	-----------------------------

**Title:** DEF Dosing Valve - Mechanical system not responding

**Applies To:** N13 SCR Models

## CHANGE LOG

Please refer to the change log text box below for recent changes to this article:

07/28/2017 - Initial Article Release

## DESCRIPTION

This document will guide the user through rerouting of the DEF line due to fault 5394-7

## SYMPTOM(s)

Fault 5394-7 active will not clear

**Diagnostic Trouble Code(s) & Dashboard Indicator Light(s):**

DTC/Light	Description
SPN 5394 FMI 07 (link to FCAP)	DEF Dosing Valve - Mechanical system not responding

**Customer Observations or Concerns:**

Service Engine Soon Light  
Low Power

## SPECIAL TOOL(s) / SOFTWARE

Tool Description	Tool Number	Comments	Instructions
N/A			

[Tools Resource Center](#)

**SERVICE PARTS INFORMATION**

Possible Hose Lengths Available:

4020974C1	2.6M with 6mm ID	5/16-180 x 5/16-90
4022027C1	2.89M with 6mm ID	5/16-90 x 5/16-90
4039532C1	3.465M with 3mm ID	5/16-180 x 5/16-90
4039509C1	3.425M with 3mm ID	5/16-180 x 5/16-90

**DIAGNOSTIC STEP(s)**

Step	Action	Decision
#1	<b>DIAGNOSTIC: Does the DEF line have an arch in it? Please reference pictures below.</b>	<b>Yes.</b> Check the Doser for crystallization.
		<b>No.</b> Add an arch to the hose based on the example pictures below and retest for fault.

<b>Arch Examples</b>
Item 1: No Arch Item 2: With Arch

Item #1



Item #2



---

### **REPAIR STEP(s)**

If line is not long enough, install longer line with enough slack to create the arch.

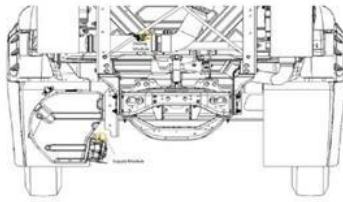
Please follow the link below. The information will be based on the model you are working with and the information will be in the fuel tank section of the document:

<https://evaluate.internationaldelivers.com/sales/adobe/saleinfo/ctdocmain.asp>

The example below is for a Workstar:

WorkSTAR® SERIES BODY BUILDER FUEL TANKS MARCH 2017 — 15-60  
 DEF SYSTEM AND AFTERTREATMENT INFORMATION — ALL MODELS

Vertical/Vertical DPF and DEF Tanks



The height differential between the supply module and dosing module cannot exceed one meter. The supply module is integrated into the DEF tank assembly, separation of the module from the tank is not allowed. When relocating the components the maximum pressure DEF hose length, from Supply module to Dosing Module, is 3 meters (118").

**Routing to the Dosing Module (injector) to Create Trap**

It is important for the function of the dosing module to ensure that the dosing module is not routed downhill (below) of DEF lines or components. If this is unavoidable (for example on RH under exhaust systems) or Horizontal (Series) Exhaust a routing trap must be installed. A minimum of 12" of line length must be routed below the dosing module in order to catch any leftover DEF when system is purged.

## WARRANTY INFORMATION

### Warranty Claim Coding:

Refer to the [Warranty Coding Manual](#) for Group and Noun Codes.

### Standard Repair Time(s):

Refer to the [SRT Manual](#) for Repair Times

## OTHER RESOURCES

[Master Service Information Site](#)

 Hide Details

Feedback Information

Viewed: 91

Helpful: 0

Not Helpful: 0

No Feedback Found

Copyright © 2017 Navistar, Inc.