



Countries:	CANADA, UNITED STATES, MEXICO	Document ID:	IK1600237
Availability:	ISIS, FleetISIS, NotSIR	Revision:	3
Major System:	CAB / SLEEPER / HOOD	Created:	11/29/2017
Current Language:	English	Last Modified:	12/15/2017
Other Languages:	NONE	Author:	Steven Bautz
Viewed:	106		

[Less Info](#)

Hide Details

Coding Information

Copy Link 	Copy Relative Link 	Bookmark View My Bookmarks	Add to Favorites 	Print 	Provide Feedback 	Helpful 3	Not Helpful 0
----------------------	-------------------------------	--	-----------------------------	------------------	-----------------------------	-------------------------	-----------------------------

Title: Bunk Curtain Falling Off Track Sky-Rise

Applies To: LT, LoneStar, RH

CHANGE LOG

Please refer to the change log text box below for recent changes to this article:

<ul style="list-style-type: none"> 12/15/17 - Corrected figure references. 12/04/2017 - Initial Article Release

DESCRIPTION

This document will guide the user through repairing bunk curtains that come off the track.

SYMPTOM(s)

Diagnostic Trouble Code(s) & Dashboard Indicator Light(s): N/A

Customer Observations or Concerns:

Bunk curtain falling out
Plastic stop falling out or missing

SPECIAL TOOL(s) / SOFTWARE

N/A
[Tools Resource Center](#)

SERVICE PARTS INFORMATION

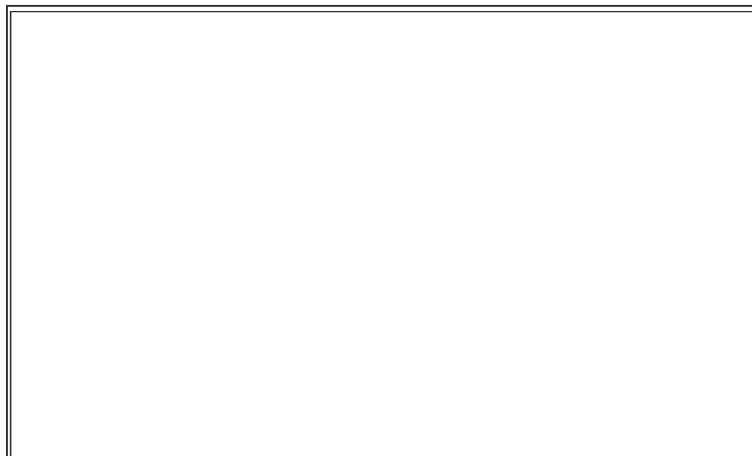
Parts Catalog – [Click Here](#)

Kit Description	Part Number		

		Quantity Required	
Plug Button	3924405C1	4	
Bolt M6x35	40060R1	4	
M4 Flat Washer	30289R1	14	
M4 Nut	933763R1	7	
M4x25mm Pan Head Machine Screw	31142R1	7	

DIAGNOSTIC STEP(s)

Step	Action	Decision
1	<p>DIAGNOSTIC: Location</p> <p>The curtain can fall off from the track center or from the ends of the track</p> <p>Where is the curtain falling off from?</p>	<p>Track Center: Make sure all plug buttons are installed (Figure 1). If so, follow procedure below.</p> <p>End of track: Install plug button (Figure 1) and retest.</p>



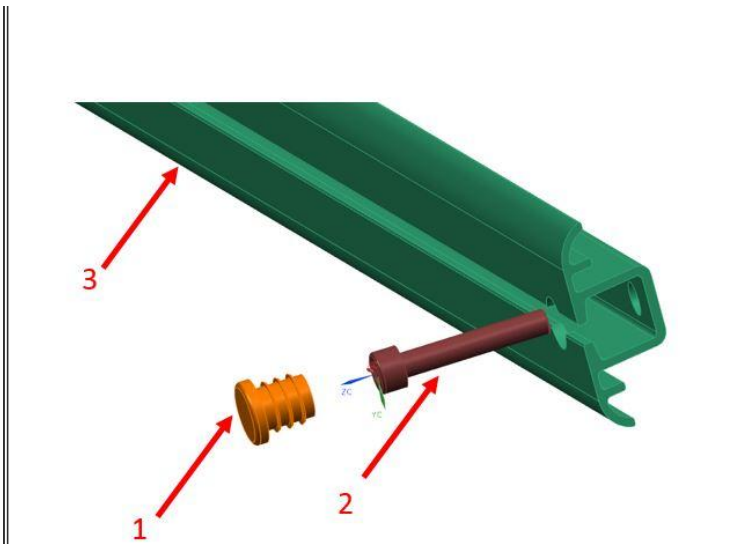


Figure 1: Curtain Track Sky-Rise

Item 1: Plug Button
 Item 2: Bolt M6x35
 Item 3: Track

REPAIR STEP(s)

1. Remove curtain from track
2. Unbolt track from vehicle.
3. On bench, drill seven 4mm holes evenly spaced along the track (Figure 2). Holes should be in the middle of the track (Figure 3) . Do not drill past 1/2 way to avoid even interference with curtain trolleys (Figure 5) and to leave clearance for the pan head machine screws (Figure 4, item 1).



Figure 2: Track with M4 Pan Head Machine Screws Installed

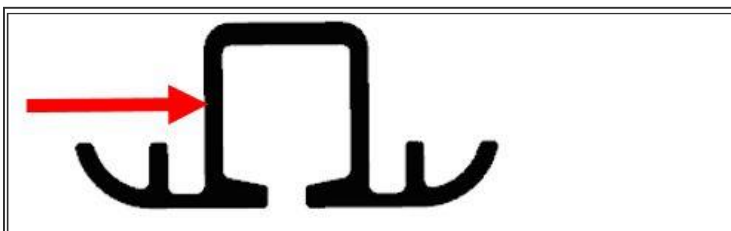


Figure 3: Drill location





Figure 4: Track

Item 1: Pan Head Machine Screw and Nut

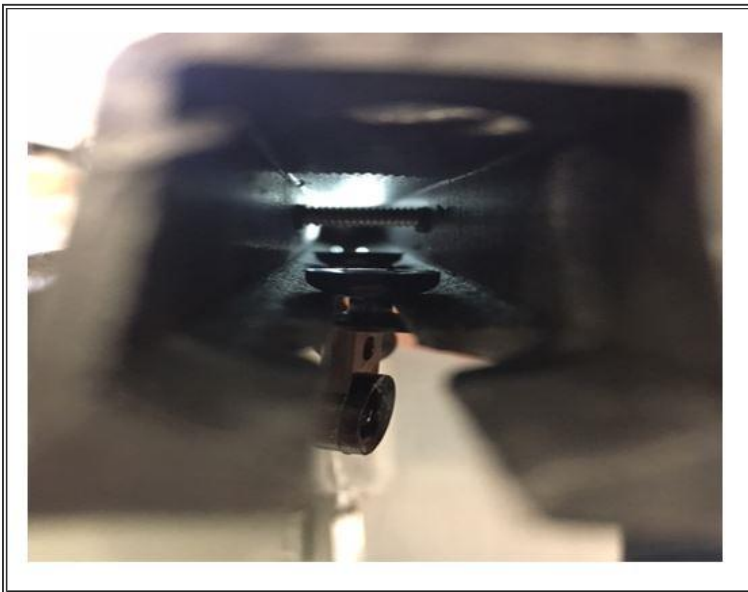
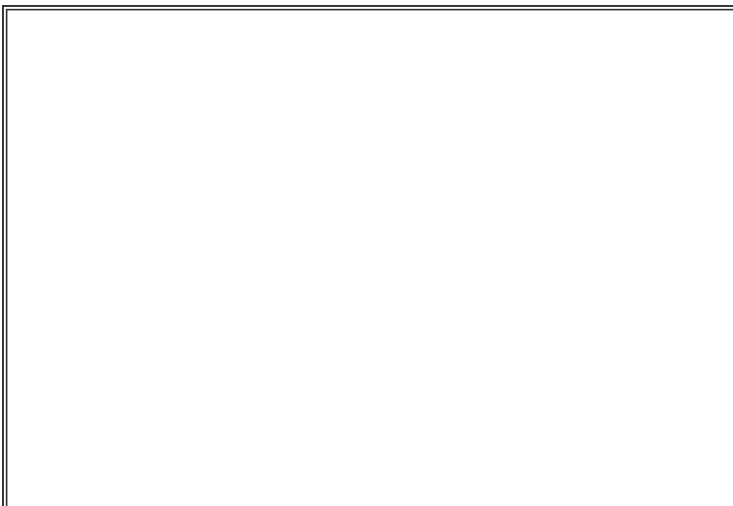


Figure 5: Trolley Interference

4. Install M4x25mm pan head machine screw, washer and nut as seen in Figure 6 with loctite applied



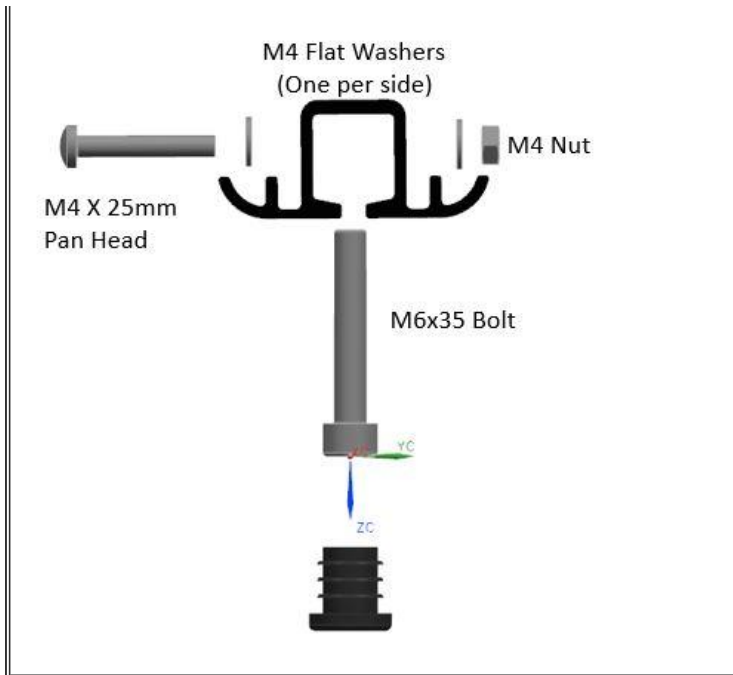


Figure 6: Bolt Installation

5. Tighten all bolts evenly so the curtain trolley moves freely without binding.
6. Reinstall track on vehicle and torque M6x35 bolts to 5.1 -6.4 nm
7. Reinstall curtain to track
8. Reinstall plug buttons to the track.

WARRANTY INFORMATION

Group	Noun
16028	273 Headliner or 804 Trim, Interior

Warranty Claim Coding:

Refer to the [Warranty Coding Manual](#) for Group and Noun Codes.

Standard Repair Time(s):

Refer to the [SRT Manual](#) for Repair Times

SRT	Description	Comment
A16-690	BUNK OR SLEEPER BOX INTERIOR TRIM PANELS OR MOULDING, Replace	Headliner Panel

OTHER RESOURCES

[Master Service Information Site](#)



 Hide Details

Feedback Information

Viewed: 105

Helpful: 3

Not Helpful: 0

Staff ID	Client ID	Comments	Created Date
	DY08955	You received the following feedback From: dy08955 - David Gabrielle Email Address: gabe396@aol.com Job Classification: SE008, Service Technician Dealer: TRUCK KING INTL IDEALEAS Feedback: For step 6. Reinstall track on vehicle and torque M6x35 bolts to 5.1 -6.4 nm, please list inch pound equivalent spec.	12/19/2017 5:42:54 AM

Copyright © 2018 Navistar, Inc.