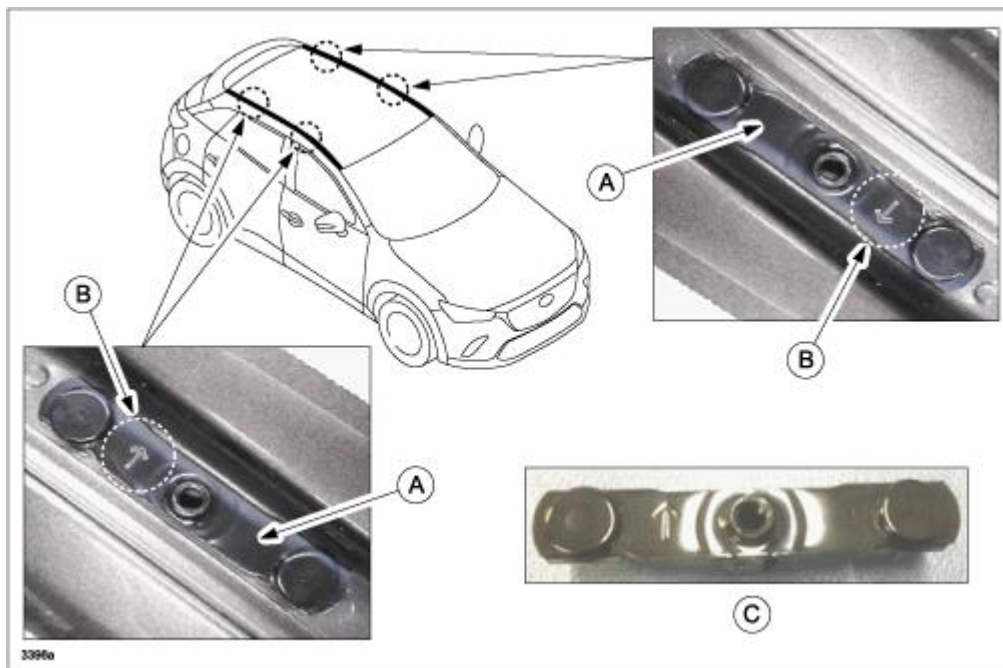


Subject: ACCESSORY ROOF RACK DIFFICULT OR CANNOT INSTALL	Bulletin No.: 09-047/17
	Last Issued: 12/18/2017

DESCRIPTION

APPLICABLE MODEL(S)/VINS
2016-2017 CX-3

On some vehicles, one or more roof carrier brackets (A) may be installed in reverse (with arrows (B) facing outward). In this case, accessories, such as a roof carrier cannot be installed. Even if the accessory installation was possible, it may cause loose fitting, water leaks or other concerns.



(C) - Bracket Unit

This concern was caused by improper assembly during vehicle production.

Customers having this concern should have their vehicle repaired using the following repair procedure.

CONSUMER NOTICE: The information and instructions in this bulletin are intended for use by skilled technicians. Mazda technicians utilize the proper tools/equipment and take training to correctly and safely maintain Mazda vehicles. These instructions should not be performed by "do-it-yourselfers." Customers should not assume this bulletin applies to their vehicle or that their vehicle will develop the described concern. To determine if the information applies, customers should contact their nearest authorized Mazda dealership. Mazda North American Operations reserves the right to alter the specifications and contents of this bulletin without obligation or advance notice. All rights reserved. No part of this bulletin may be reproduced in any form or by any means, electronic or mechanical---including photocopying and recording and the use of any kind of information storage and retrieval system ---without permission in writing.

REPAIR PROCEDURE

1. Verify the customer concern.
2. If any roof carrier bracket(s) are not installed correctly, remove the affected bracket(s) and install new ones in the correct direction, according to the ROOF CARRIER BRACKET REMOVAL/INSTALLATION instructions.

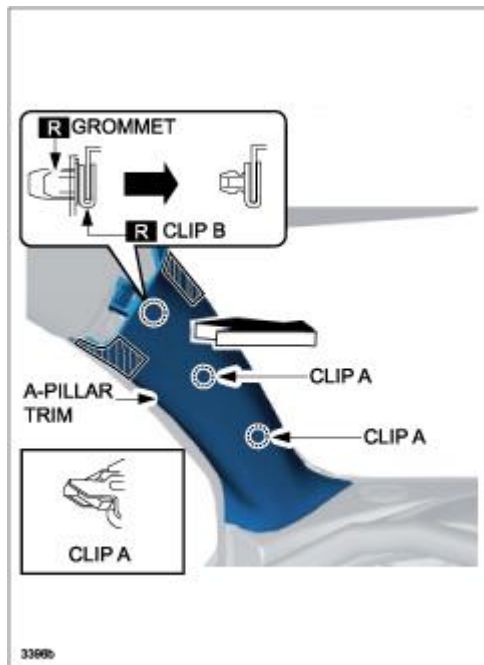
NOTE: All four (4) roof carrier brackets must be installed so the arrows face inward.

3. Verify the repair.

PARTS INFORMATION

Part Number	Description	Qty.	Notes
GJ6A-56-47ZE	Roof Carrier Bracket	1 - 4	---
D09W-68-162	Clip, Trim	2	Non-reusable part

PARTS LOCATION:



CONSUMER NOTICE: The information and instructions in this bulletin are intended for use by skilled technicians. Mazda technicians utilize the proper tools/equipment and take training to correctly and safely maintain Mazda vehicles. These instructions should not be performed by "do-it-yourselfers." Customers should not assume this bulletin applies to their vehicle or that their vehicle will develop the described concern. To determine if the information applies, customers should contact their nearest authorized Mazda dealership. Mazda North American Operations reserves the right to alter the specifications and contents of this bulletin without obligation or advance notice. All rights reserved. No part of this bulletin may be reproduced in any form or by any means, electronic or mechanical---including photocopying and recording and the use of any kind of information storage and retrieval system ---without permission in writing.

WARRANTY INFORMATION

NOTE:

- This warranty information applies only to verified customer complaints on vehicles eligible for warranty repair.
- This repair will be covered under Mazda's New Vehicle Limited Warranty term.
- Additional diagnostic time cannot be claimed for this repair.
- This TSB can be performed by D329 Mazda Certified Lube Technicians.

Warranty Code	A
Symptom Code	89
Damage Code	9G
Causal Part No.	GJ6A-56-47ZE
Quantity	1 - 4
Operation No./ Labor Hours	XXN8WXRX / 1.4 Hrs. Roof Carrier Bracket (1 - 4 pieces), RR
TSB can be performed by D329 Mazda Certified Lube Technicians:	Yes

NOTE: Enter the trim clip in Related Part.

CONSUMER NOTICE: The information and instructions in this bulletin are intended for use by skilled technicians. Mazda technicians utilize the proper tools/equipment and take training to correctly and safely maintain Mazda vehicles. These instructions should not be performed by "do-it-yourselfers." Customers should not assume this bulletin applies to their vehicle or that their vehicle will develop the described concern. To determine if the information applies, customers should contact their nearest authorized Mazda dealership. Mazda North American Operations reserves the right to alter the specifications and contents of this bulletin without obligation or advance notice. All rights reserved. No part of this bulletin may be reproduced in any form or by any means, electronic or mechanical---including photocopying and recording and the use of any kind of information storage and retrieval system ---without permission in writing.