



# Technical Journal

TITLE:

**Front brake caliper - Moan noise**

<b>REF NO:</b> TJ 30393.6.0	<b>ISSUING DEPARTMENT:</b> Technical Service	<b>CAR MARKET:</b> United States and Canada	
<b>PARTNER:</b> 3 US 7510 Volvo Car USA		<b>ISSUE DATE:</b> 2017-10-11	<b>STATUS DATE:</b> 2017-10-18
<b>FUNC GROUP:</b> 5100	<b>FUNC DESC:</b> Wheel brake	Page 1 of 6	

“Right first time in Time”

## Attachment

File Name	File Size
TJI-485167-1_2_0_en-US.pdf	1.1183 MB

## Vehicle Type

Type	Eng	Eng Desc	Sales	Body	Gear	Steer	Model Year	Plant	Chassis range	Struc Week Range
124							2007-2016		0000850-0200260	200605-201614
134							2011-9999		0000001-9999999	201020-999952
135							2008-2016		0000395-0377263	200720-201616
136							2008-2016		0000400-0273944	200720-201619
137							2016-9999		0000001-9999999	201524-999952
138							2016-9999		0085668-9999999	201521-999952
155							2011-9999		0000001-9999999	201035-999952
157							2015-9999		0000001-9999999	201450-999952

## CSC Customer Symptom Codes

Code	Description
B6	Brakes/Unusual noise/Front



## VST Operation Number

VST Operation Number	Description
98600-2	General check/adjust acc. to QB/TJ
77062-2	Wheel x2 remove - install / replace

## DTC Diagnostic Trouble Codes

Rows beginning with \* are modified

Note! If using a printed copy of this Technical Journal, first check for the latest online version.

## Text

### DESCRIPTION:

If customer experience a moan noise from the front brakes, please follow advice under Service.

Concerned vehicles can be identified with either VDN code RE03 (16.5") or RE02 (17.5").

\* Vehicle type 138 added to this TJ.

### SERVICE:

At customer complaint assemble the Active damper on concerned cars in accordance with attached instruction.

### VEHICLE REPORT:

Material for analysis can be requested in Vehicle Report. In other cases, follow normal routines.

**To view TJ attachment continue to next page. This TJ has one attachment.**



## Volvo Car Customer Service

TJ Instruction VCC-485167-1

<b>Title</b>	Front brake caliper	<b>Page</b>	1 ( 4 )
<b>Action</b>	Product fix	<b>Operation number:</b>	98600-2 77062-2

Issue	Date	Reason
2	2016-07	Change in Affected Vehicles
1	2015-04	First issue

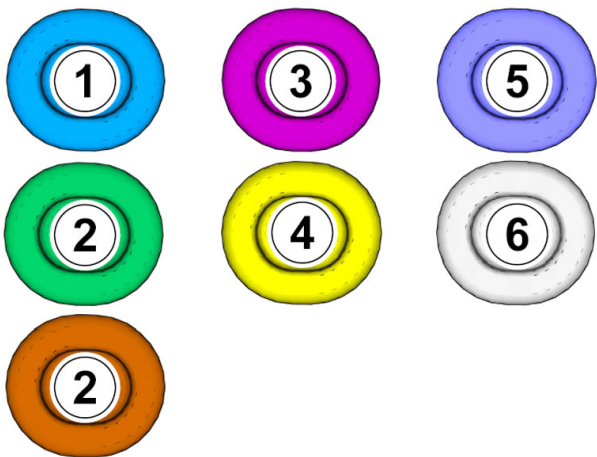
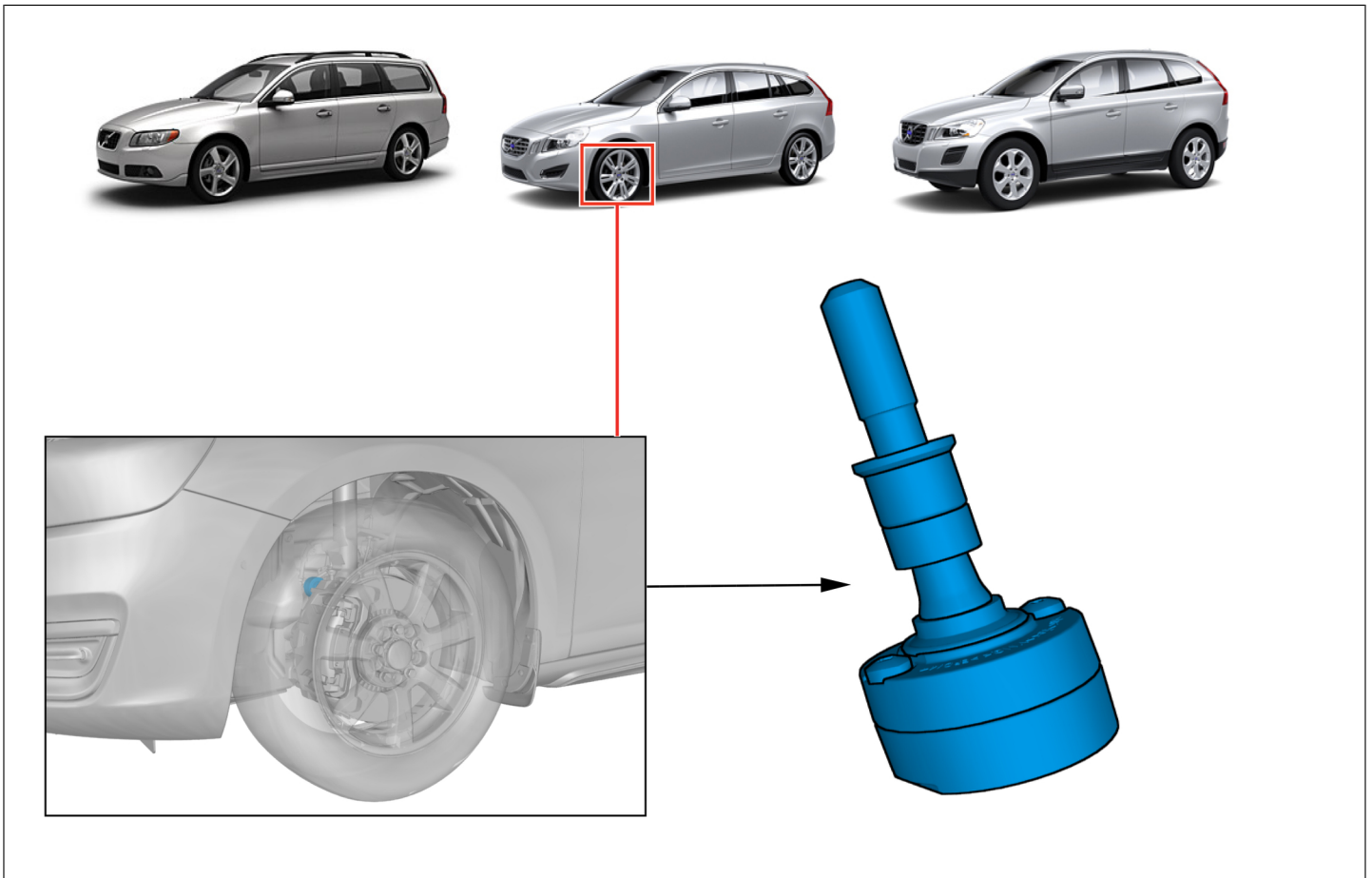
### Affected vehicles

Model year	Model
2011, 2012, 2013, 2014, 2015, 2016, 2017	S60 (11-)
2016, 2017	S60 Cross Country
2007, 2008, 2009, 2010, 2011, 2012, 2013, 2014, 2015, 2016	S80 (07-)
2013, 2014, 2015, 2016, 2017	V40 (13-)
2013, 2014, 2015, 2016, 2017	V40 Cross Country
2011, 2012, 2013, 2014, 2015, 2016, 2017	V60
2015, 2016, 2017	V60 Cross Country
2008, 2009, 2010, 2011, 2012, 2013, 2014, 2015, 2016	V70 (08-)
2008, 2009, 2010, 2011, 2012, 2013, 2014, 2015, 2016	XC70 (08-)

### Materials

Materials	Qty.	Part No.	Notes
Absorber	1.0	31423727	

Removal

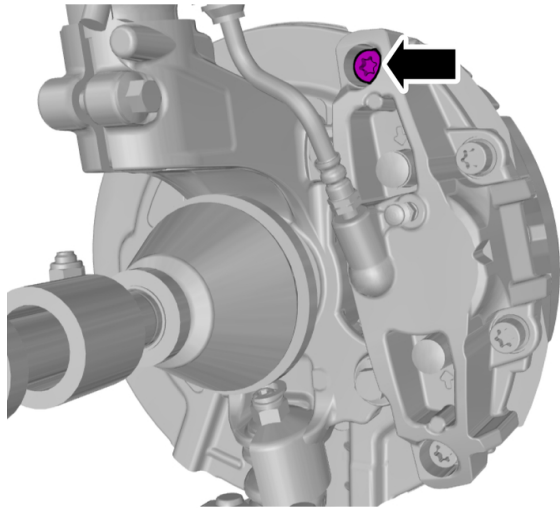


**Note! This colour chart displays (in colour print and electronic version) the importance of the different colours used in the images of the method steps.**

- 1 . Used for focused component, the component with which you will do something.
- 2 . Used as extra colors when you need to show or differentiate additional parts.
- 3 . Used for attachments that are to be removed/installed. May be screws, clips, connectors, etc.
- 4 . Used when the component is not fully removed from the vehicle but only hung to the side.
- 5 . Used for standard tools and special tools.
- 6 . Used as background color for vehicle components.

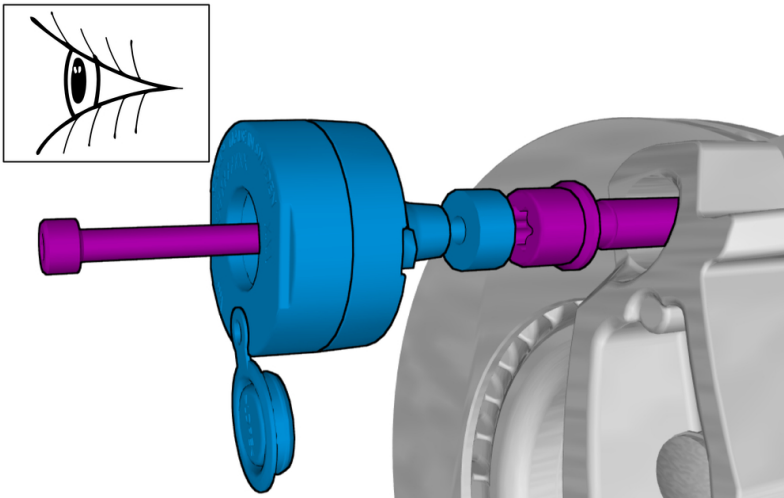
On both sides.

Remove the wheel , refer to:  
Removal, replacement and installation  
7 - Springs and wheels  
77 - Wheels, tyres, hubs  
771 - wheel and wheel trim



Remove the screws.  
On both sides.

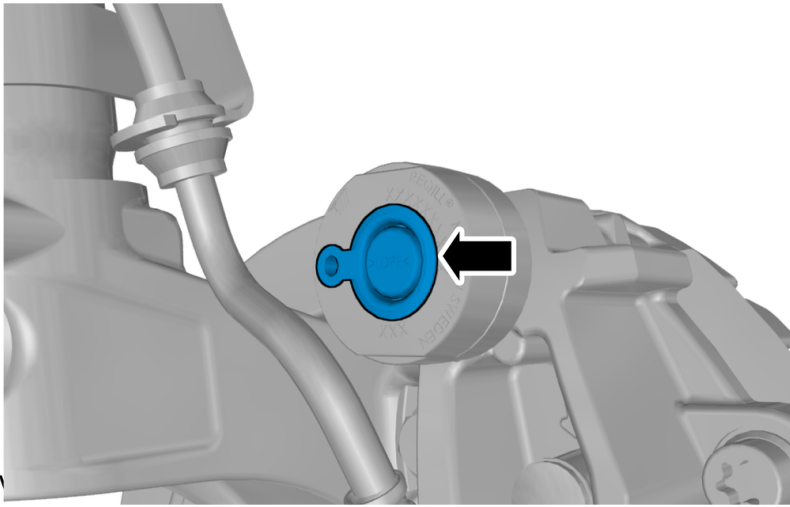
### Installation



**Note! Note the position.**

- 1 . **Torque:**  
M6 , 10 Nm
- 2 . **Torque:**
  - Stage 1 : Vibration damper bolt, to Brake caliper, M12 , 35 Nm
  - Stage 2 : Vibration damper bolt, to Brake caliper, M12 , 60°

On both sides.



On both sides.  
Install the marked component.