



SERVICE BULLETIN

Classification: HA17-007	Reference: NTB17-116	Date: November 16, 2017
-----------------------------	-------------------------	----------------------------

2016-2017 TITAN AND TITAN XD; EXCESSIVE VENT TEMPERATURE DIFFERENCE IN DUAL CLIMATE CONTROL MODE WITH THE SAME TEMPERATURE SETTING

APPLIED VEHICLE: 2016-2017 Titan and Titan XD (A61) with dual climate control air conditioning

IF YOU CONFIRM

With the HVAC system of an applied vehicle set in dual climate control mode and both driver and passenger sides are set at the same temperature:

A. Temperature set for cool air: The outlet temperature of the driver side vents are warmer by 10°F or more than the passenger side vent temperatures

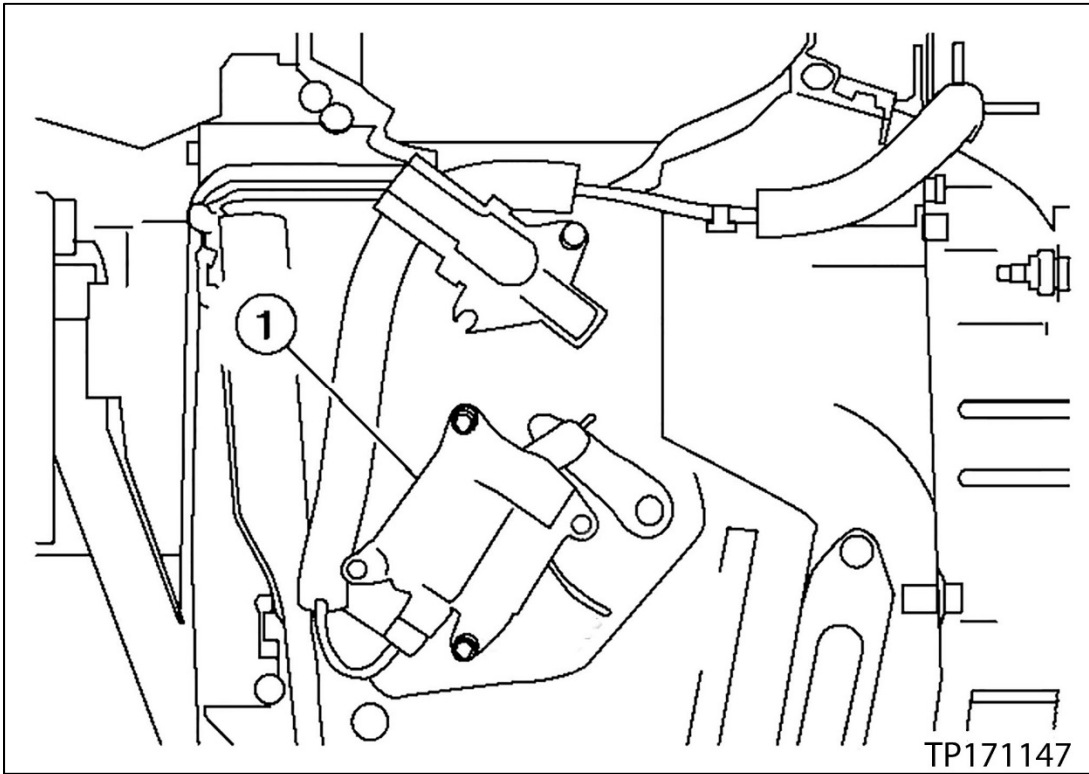
OR

B. Temperature set for warm air: The outlet temperature of the passenger side vents are cooler by 10°F or more than the driver side vent temperatures.

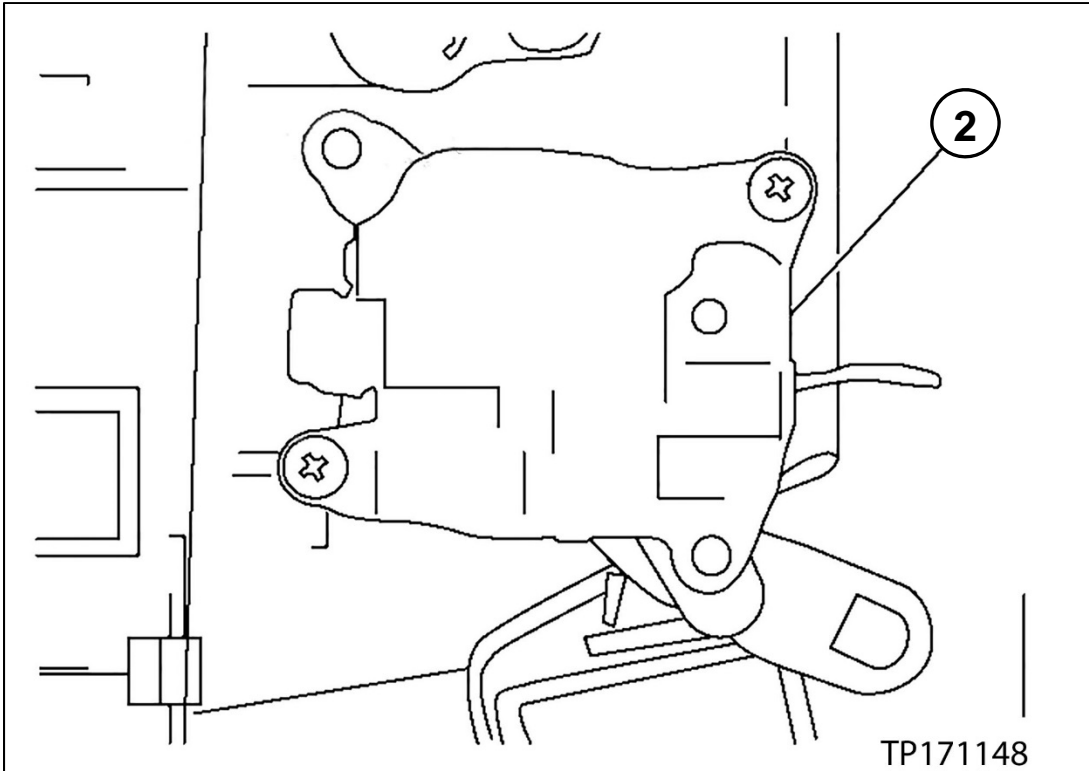
ACTION

1. If **A** above is occurring: Replace only the driver side air mix door motor (see Parts Information).
 - Refer to the Electronic Service Manual (ESM), section HAC-Heater & Air Conditioning Control System, for driver air mix door motor removal and installation.
2. If **B** above is occurring: Replace only the passenger side air mix door motor (see Parts Information).
 - Refer to the Electronic Service Manual (ESM), section HAC-Heater & Air Conditioning Control System, for passenger air mix door motor removal and installation.

Nissan Bulletins are intended for use by qualified technicians, not 'do-it-yourselfers'. Qualified technicians are properly trained individuals who have the equipment, tools, safety instruction, and know-how to do a job properly and safely. NOTE: If you believe that a described condition may apply to a particular vehicle, DO NOT assume that it does. See your Nissan dealer to determine if this applies to your vehicle.



1. Air mix door motor LH (driver side)



2. Air mix door motor RH (passenger side)

PARTS INFORMATION

DESCRIPTION	PART NUMBER	QUANTITY
ACTUATOR ASSY-AIR MIX (LH or driver side)	27732-EZ03B	1 *
ACTUATOR ASSY-AIR MIX (RH or passenger side)	27732-EZ03A	1 *

* Refer to page 1 to determine which air mix door motor needs replacement.

CLAIMS INFORMATION

Submit a Primary Part (PP) type line claim using the following claims coding:

DESCRIPTION	PFP	OP CODE	SYM	DIA	FRT
Replace Air Mix Door Motor LH	(1)	TC33AA	ZE	32	(2)

- (1) Reference the Parts Information Table and use the applicable Air Mix Actuator as the Primary Failed Part.
- (2) Reference the current Nissan Warranty Flat Rate Manual and use the indicated flat rate time.

OR

DESCRIPTION	PFP	OP CODE	SYM	DIA	FRT
Replace Air Mix Door Motor RH	(1)	TC32AA	ZE	32	(2)

- (1) Reference the Parts Information Table and use the applicable Air Mix Actuator as the Primary Failed Part.
- (2) Reference the current Nissan Warranty Flat Rate Manual and use the indicated flat rate time.