



Technical Journal

TITLE:

P3 Front seat backrest, too much play

REF NO: TJ 32509.1.0	ISSUING DEPARTMENT: Technical Service	CAR MARKET: United States and Canada	
PARTNER: 3 US 7510 Volvo Car USA		ISSUE DATE: 2017-06-11	STATUS DATE: 2017-06-21
FUNC GROUP: 8522	FUNC DESC: Front seat excl. upholstery	Page 1 of 17	

“Right first time in Time”

Attachment

File Name	File Size
TJ 32509.pdf	4.4029 MB

Vehicle Type

Type	Eng	Eng Desc	Sales	Body	Gear	Steer	Model Year	Plant	Chassis range	Struc Week Range
134							2011-9999		0000194-0999999	201020-999952
137							2016-9999		0000019-0999999	201524-999952
138							2016-9999		0085668-0999999	201521-999952
155							2015-9999		0001147-0999999	201035-999952
156							2010-9999		0000212-0999999	200835-999952
157							2015-9999		0000022-0999999	201450-999952

CSC Customer Symptom Codes

Code	Description
VQ	Front seat/Loose

VST Operation Number

VST Operation Number	Description
98678-2	Whiplash units 1 seat replace acc. to TJ32509



DTC Diagnostic Trouble Codes

Text

DESCRIPTION:

If the front seat backrest has too much play, please follow advice under “Service”.

SERVICE:

Use whiplash service kit. Replace according to attachment “TJ 32509.pdf”

VEHICLE REPORT:

Yes, please submit a Vehicle Report if the service solution described in this TJ has no effect. Use concern area “Vehicle Report” and sub concern area “Support not needed”, use function group 8522.

To view TJ attachment continue to next page. This TJ has one attachment.



Volvo Car Customer Service

TJ 32509

Title	Tilt mechanism front seat backrest	Page	1 (15)
Action	Product fix	Operation number:	98678-2

Issue	Date	Reason
1	2017-05	First issue

Affected vehicles

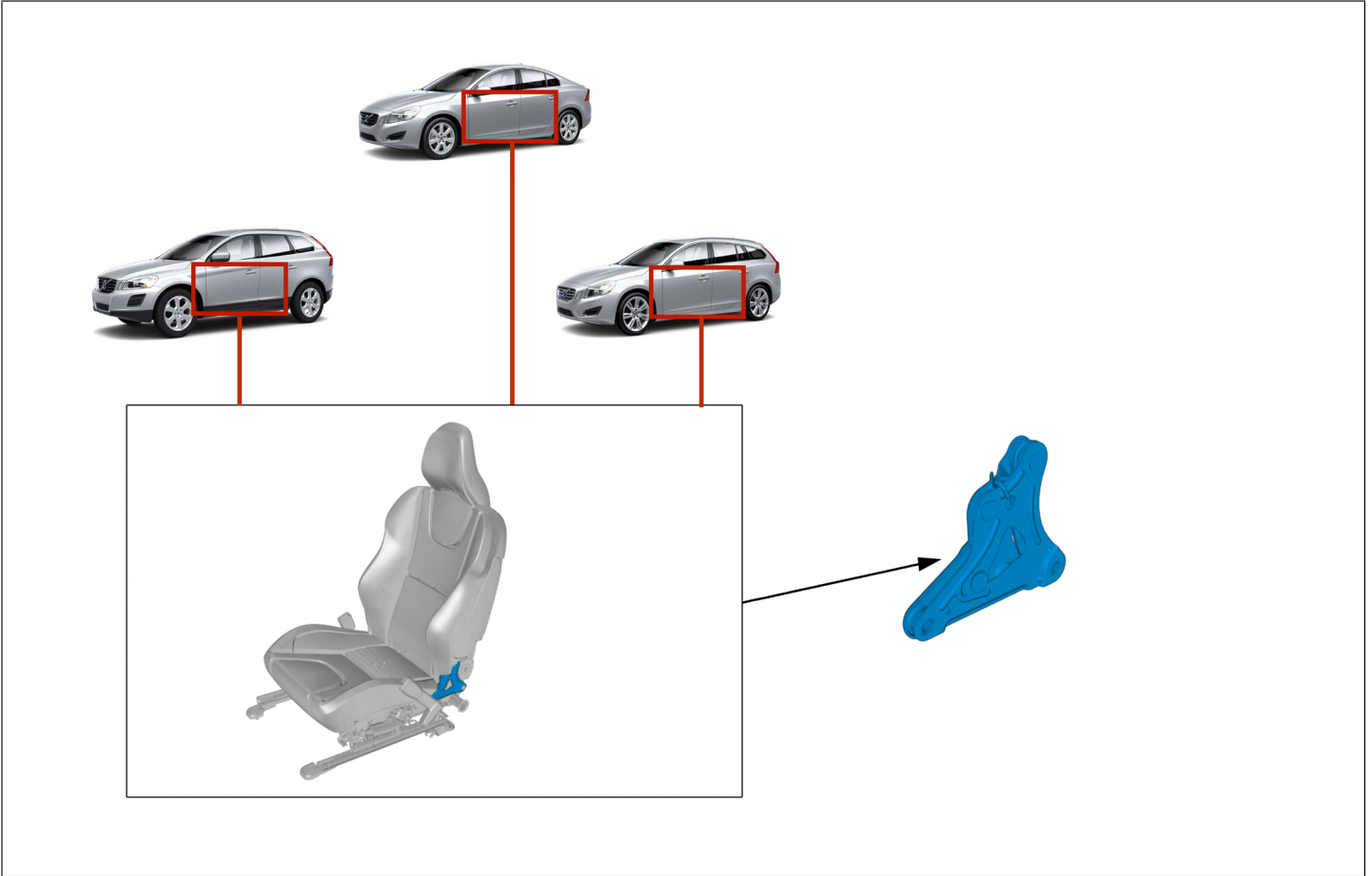
Model year	Model
2011, 2012, 2013, 2014, 2015, 2016, 2017	S60 (11-)
2016, 2017	S60 Cross Country
2016, 2017	S60L
2015, 2016, 2017	V60
2015, 2016, 2017	V60 Cross Country
2010, 2011, 2012, 2013, 2014, 2015, 2016, 2017	XC60 (-17)

Materials

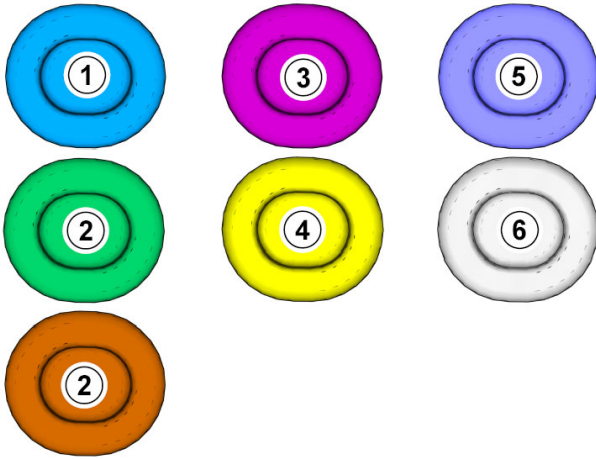
Materials	Qty.	Part No.	Notes
Service kit	1.0	31377018	Service kit, w/o foldable backrest;
Service kit	1.0	31377019	Service kit, foldable backrest;

Removal

Note! Removal steps in this procedure may contain installation details.



Color symbols



Note! This colour chart displays (in colour print and electronic version) the importance of the different colours used in the images of the method steps.

- 1 . Used for focused component, the component with which you will do something.
- 2 . Used as extra colors when you need to show or differentiate additional parts.
- 3 . Used for attachments that are to be removed/installed. May be screws, clips, connectors, etc.
- 4 . Used when the component is not fully removed from the vehicle but only hung to the side.
- 5 . Used for standard tools and special tools.
- 6 . Used as background color for vehicle components.

Only applies to vehicles with fixed backrest.

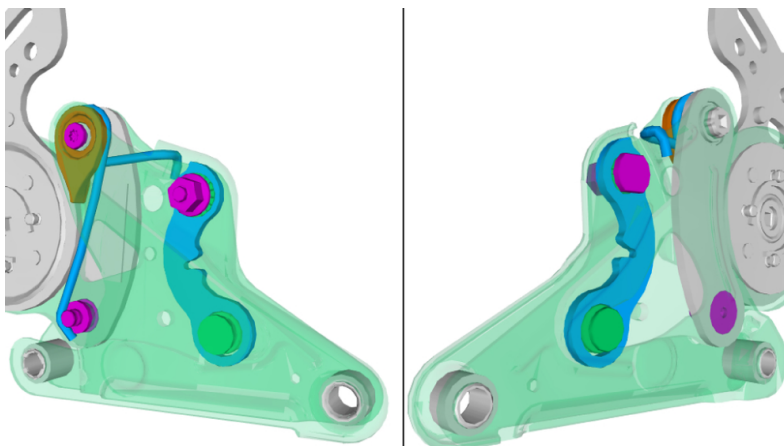
Remove front seat , refer to:

Removal, replacement and installation

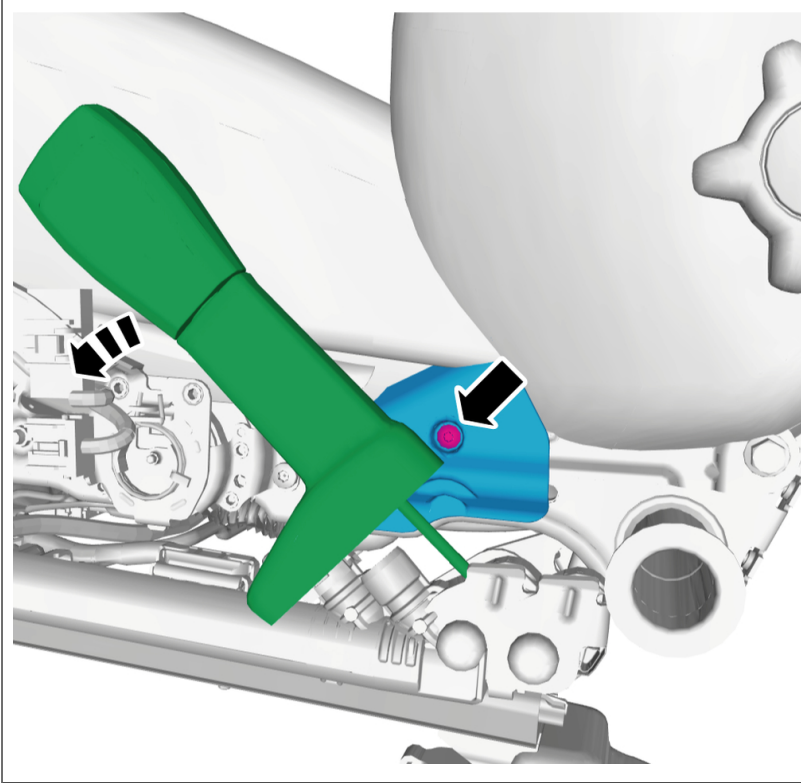
8 - Body and interior

85 - Interior

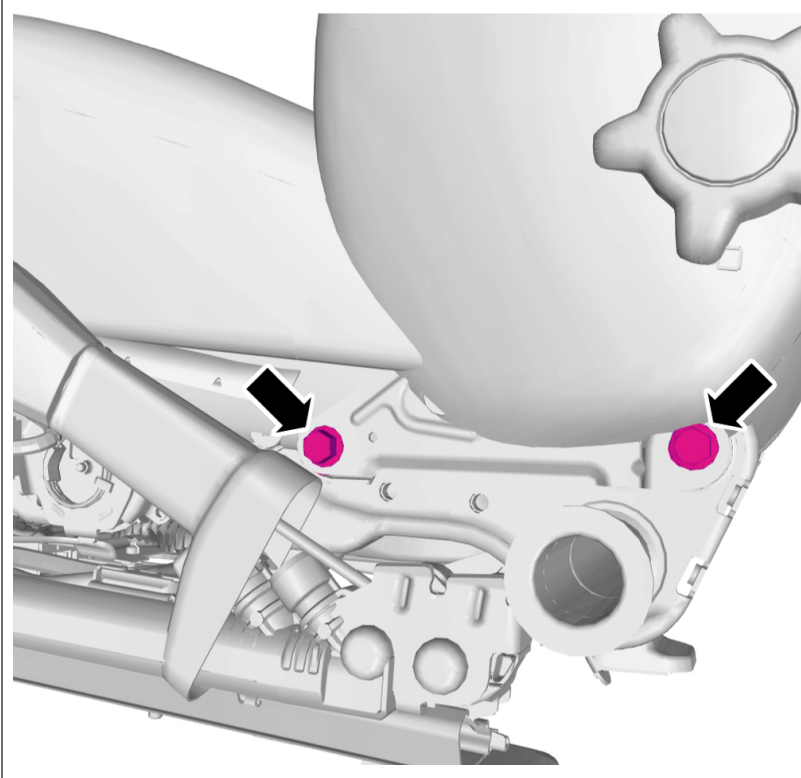
852 - front seat, drivers seat, seat bench type



Warning! The procedure must be carried out on both sides of the seat.



On both sides.



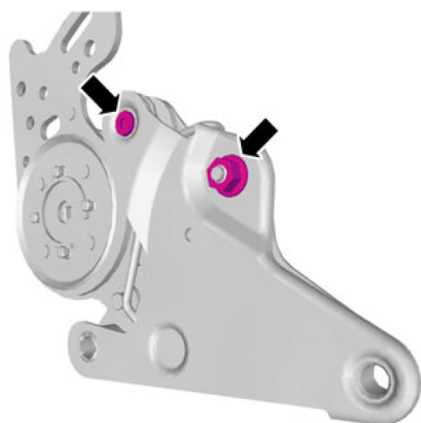
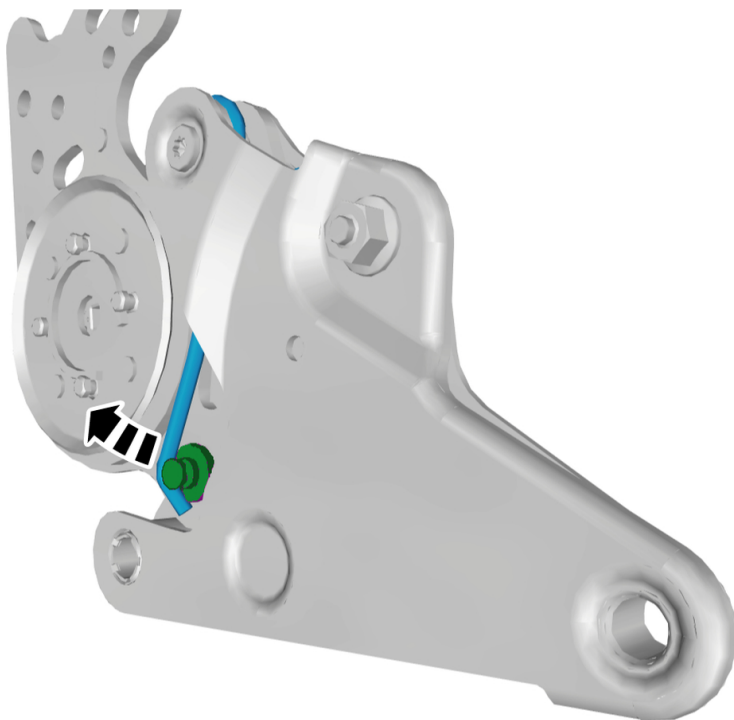
On both sides.

Torque:

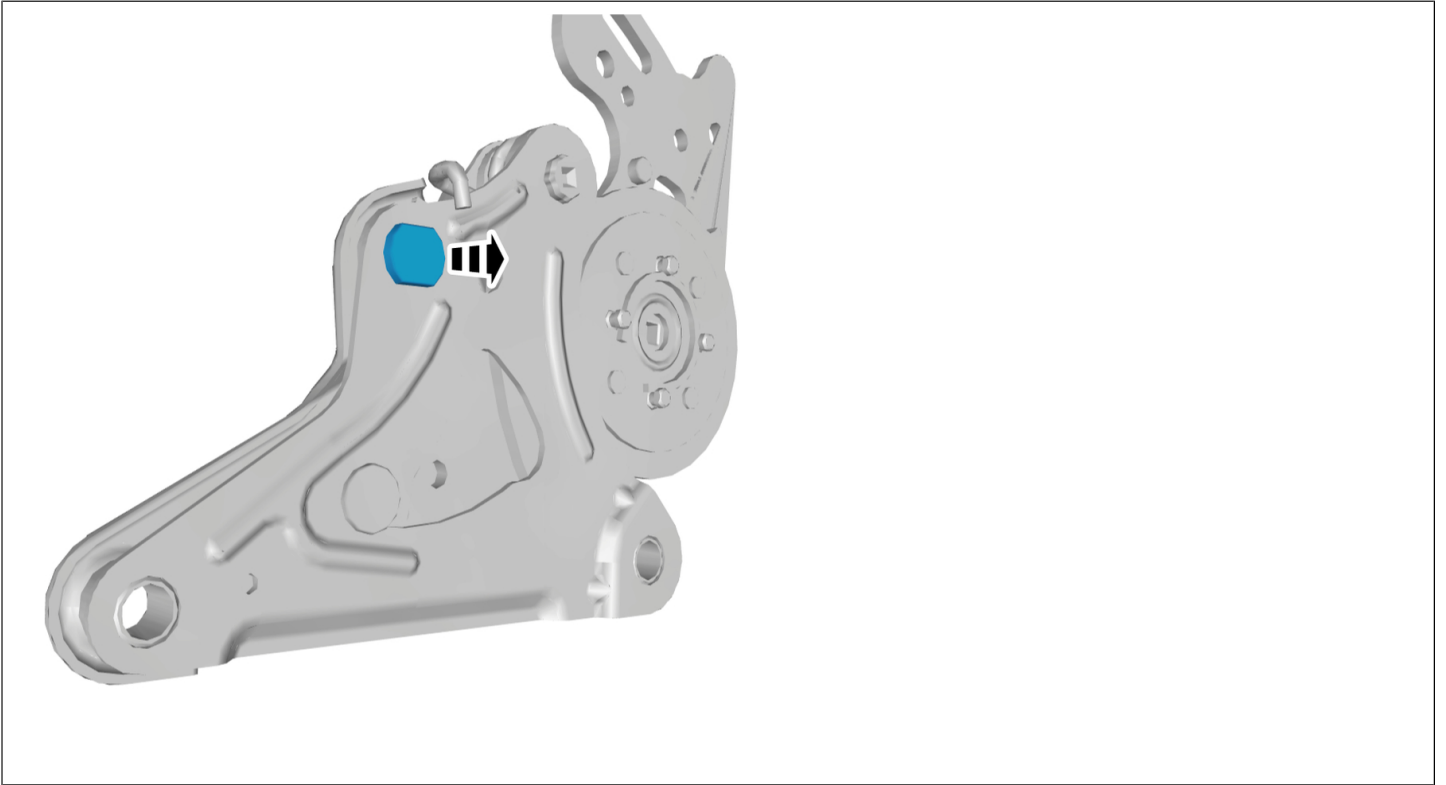
Backrest cushion to seat cushion , 45 Nm

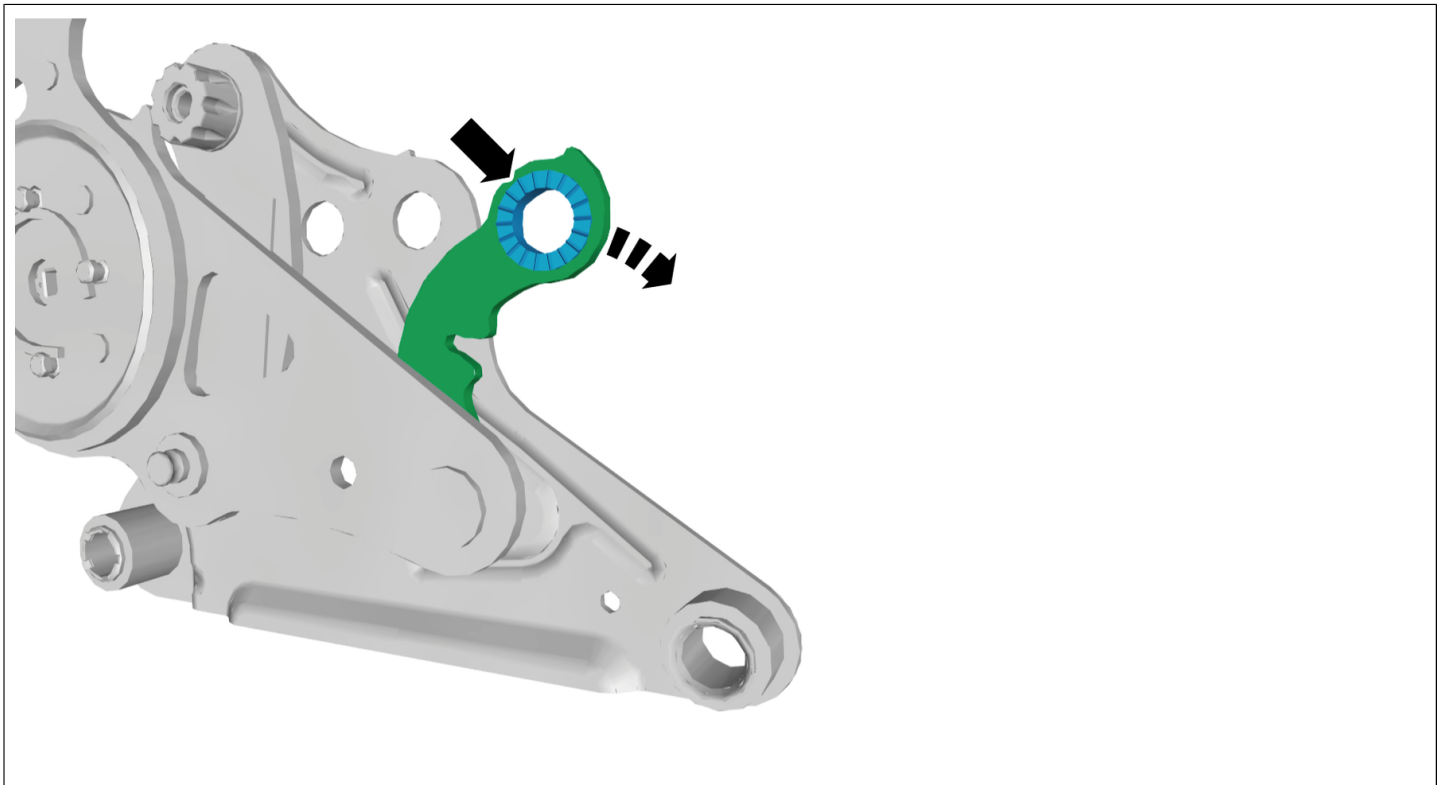
Detach front seat back cushion , refer to:
Removal, replacement and installation
8 - Body and interior
85 - Interior
852 - front seat, drivers seat, seat bench
type

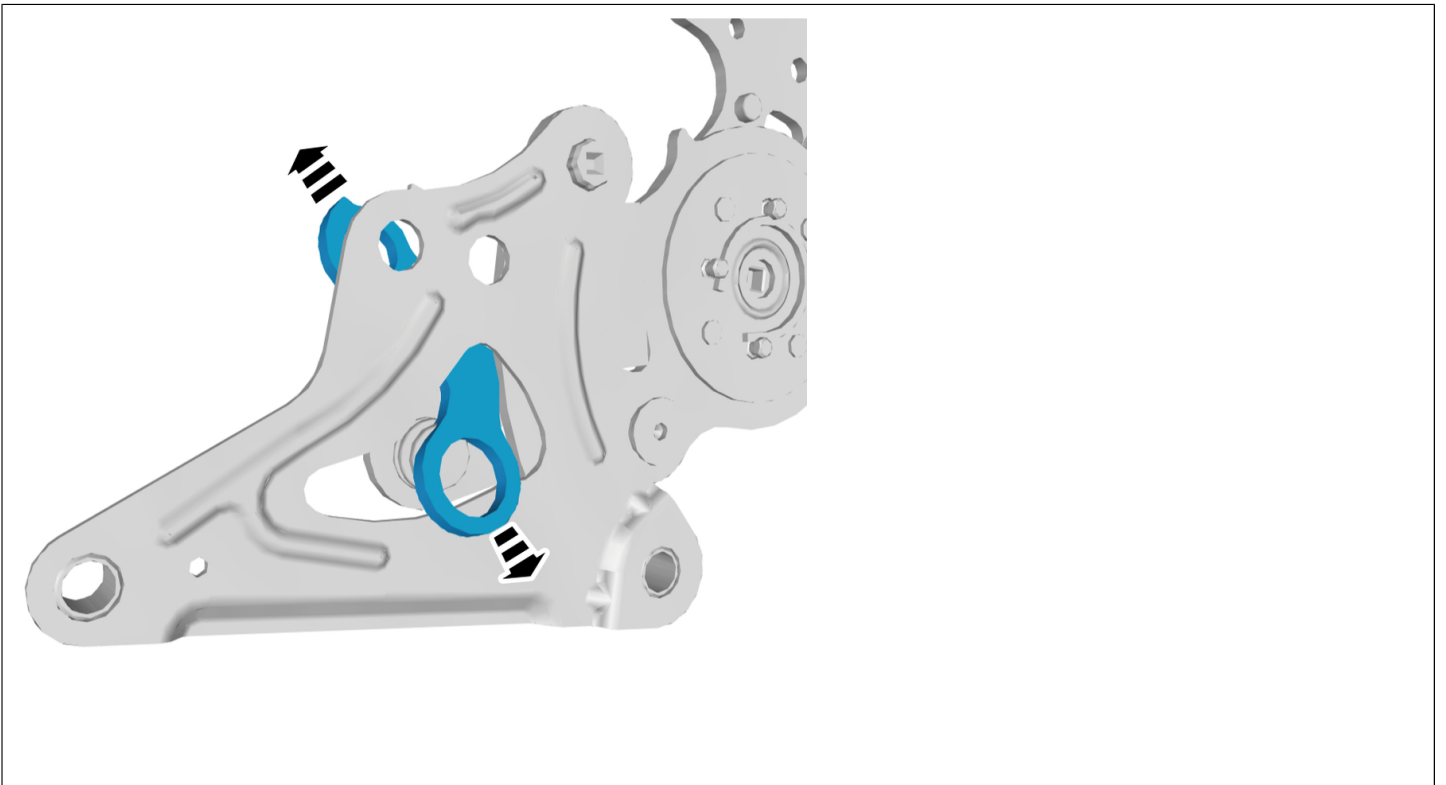
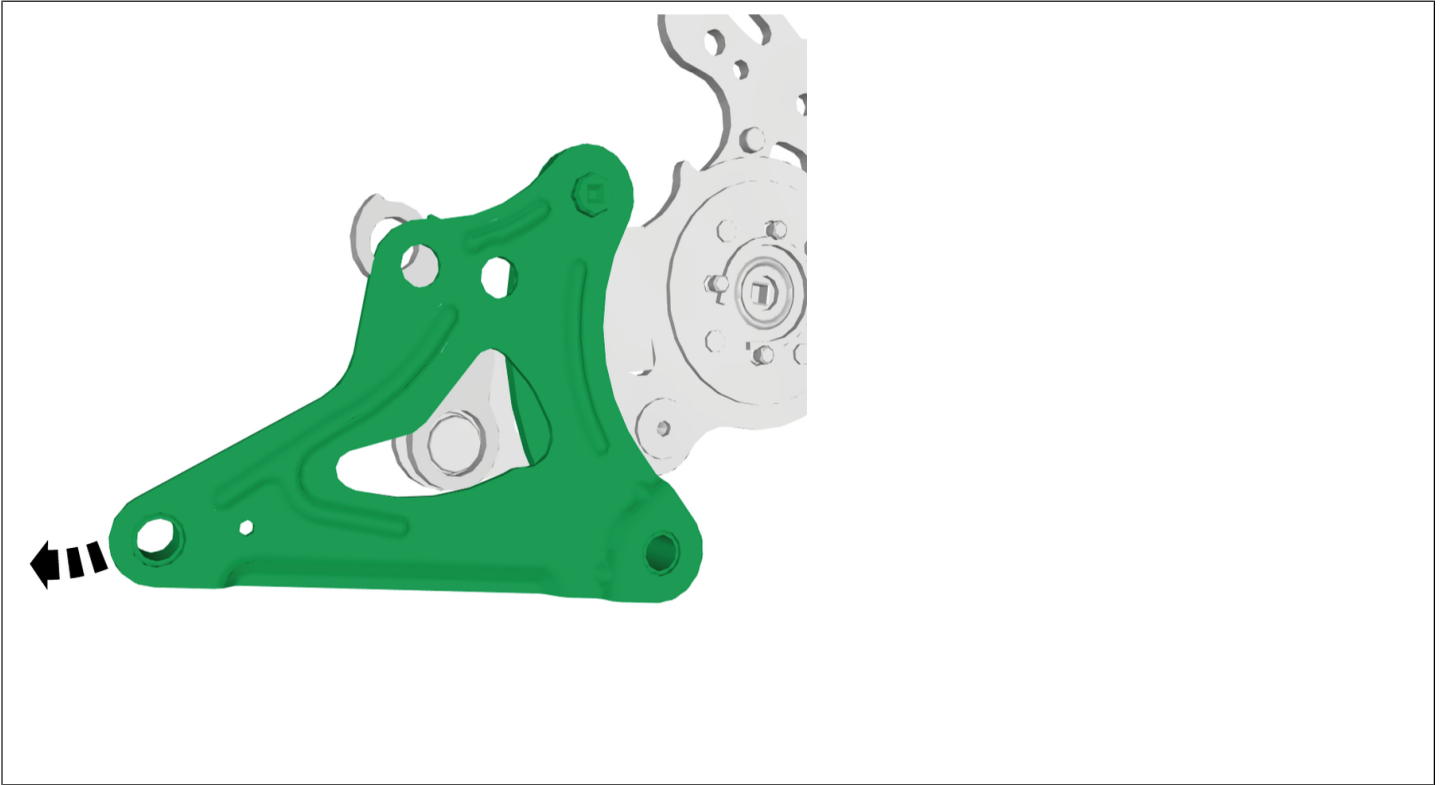
Warning! Take extra care when handling the
compressed spring.

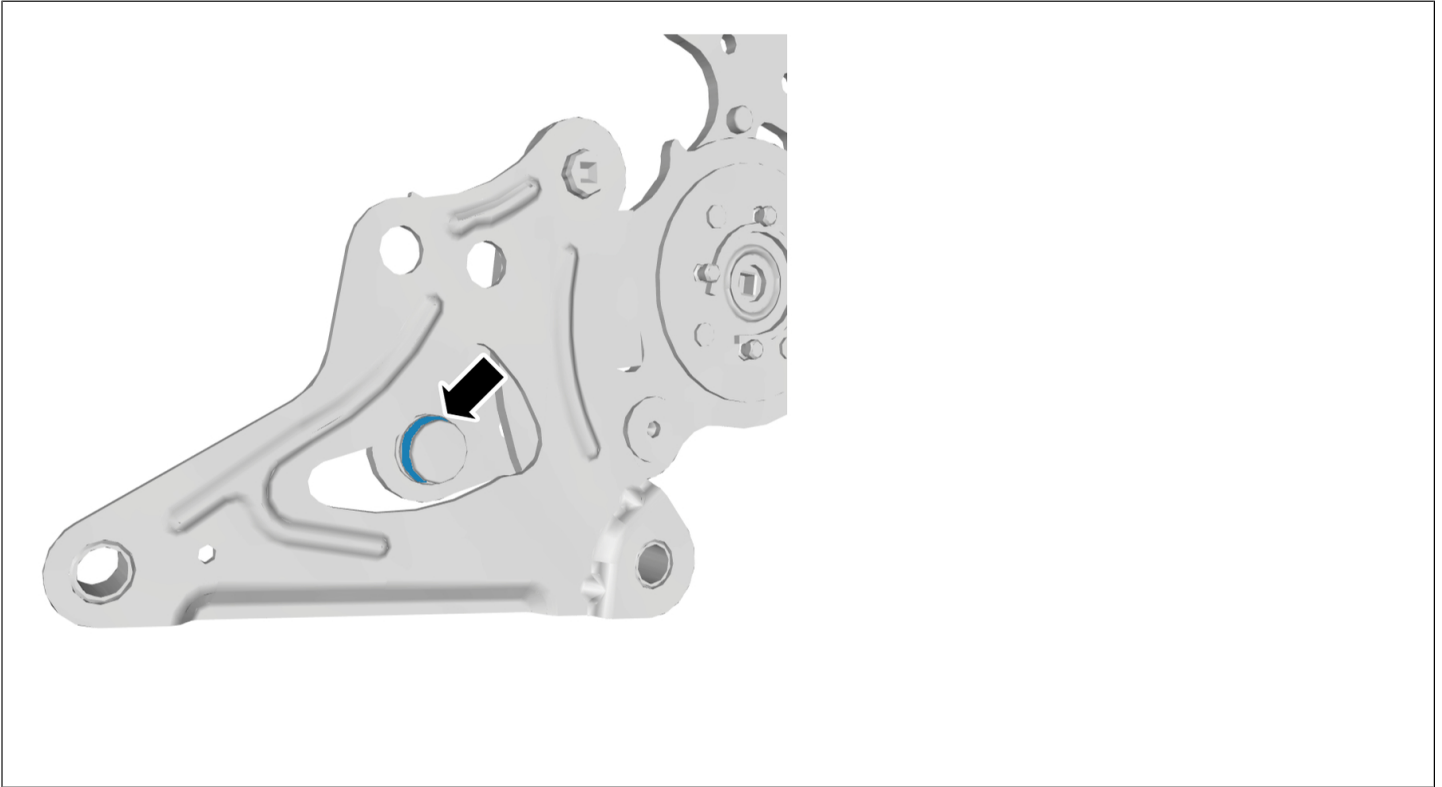


- 1 · **Torque:**
Fitting bolt, hinge , 18 Nm
- 2 · **Torque:**
Hinge bracket to backrest , 9 Nm



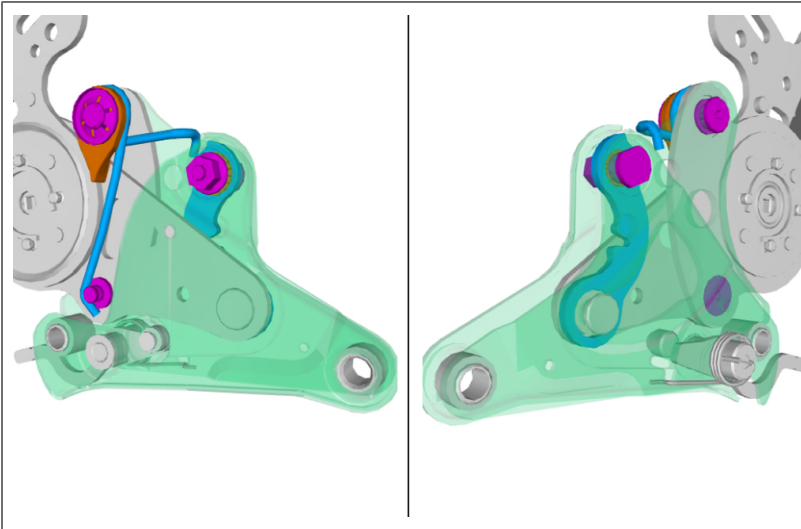




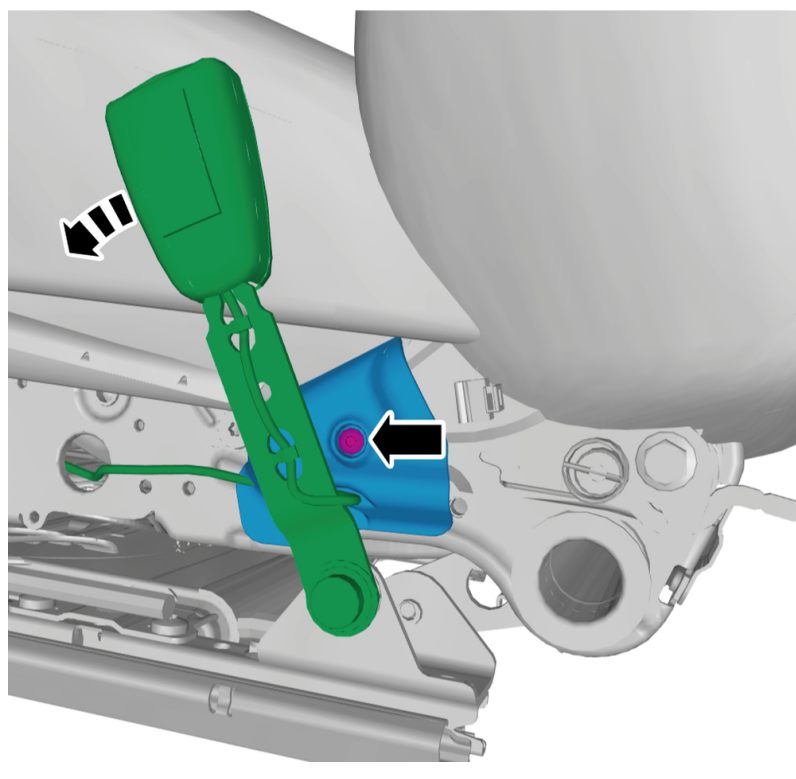


Only applies to vehicles with foldable backrest.

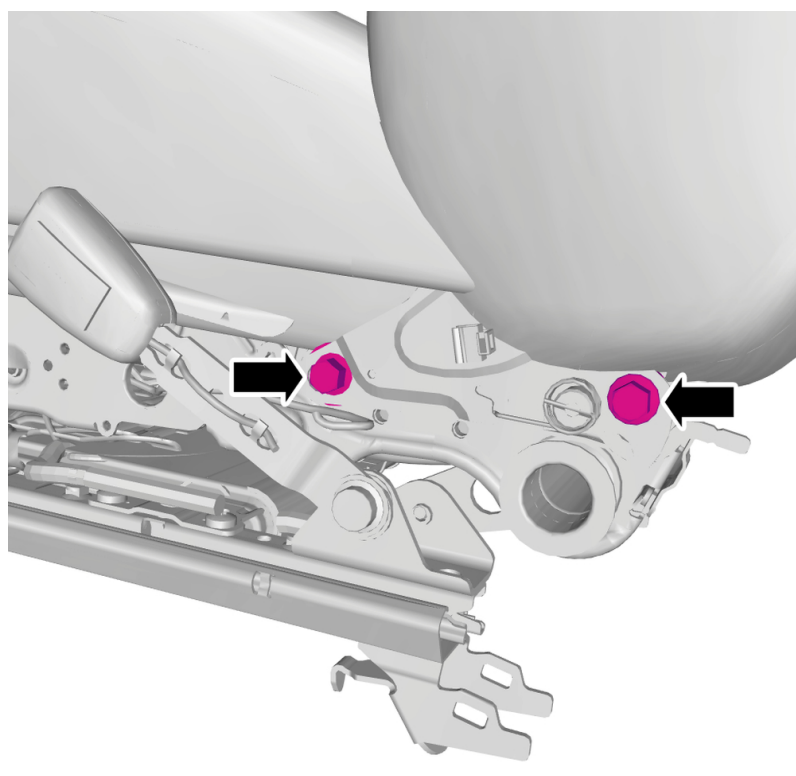
Remove front seat , refer to:
Removal, replacement and installation
8 - Body and interior
85 - Interior
852 - front seat, drivers seat, seat bench
type



Warning! The procedure must be carried out on both sides of the seat.



On both sides.

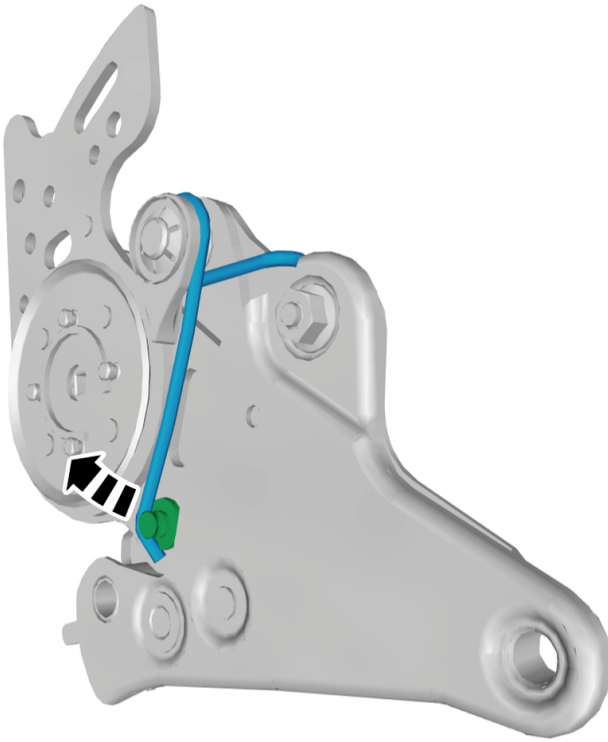


On both sides.

Torque:

Backrest cushion to seat cushion , 45 Nm

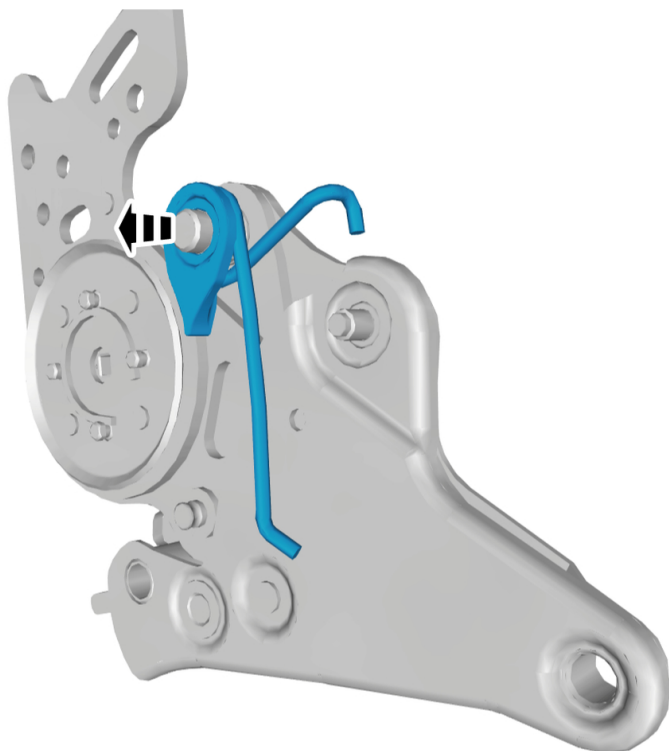
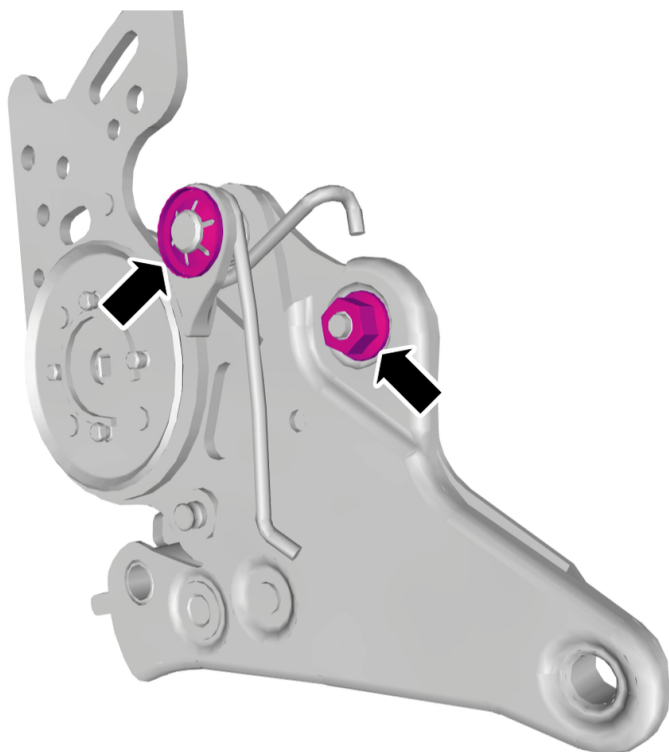
Detach front seat back cushion , refer to:
Removal, replacement and installation
8 - Body and interior
85 - Interior
852 - front seat, drivers seat, seat bench
type

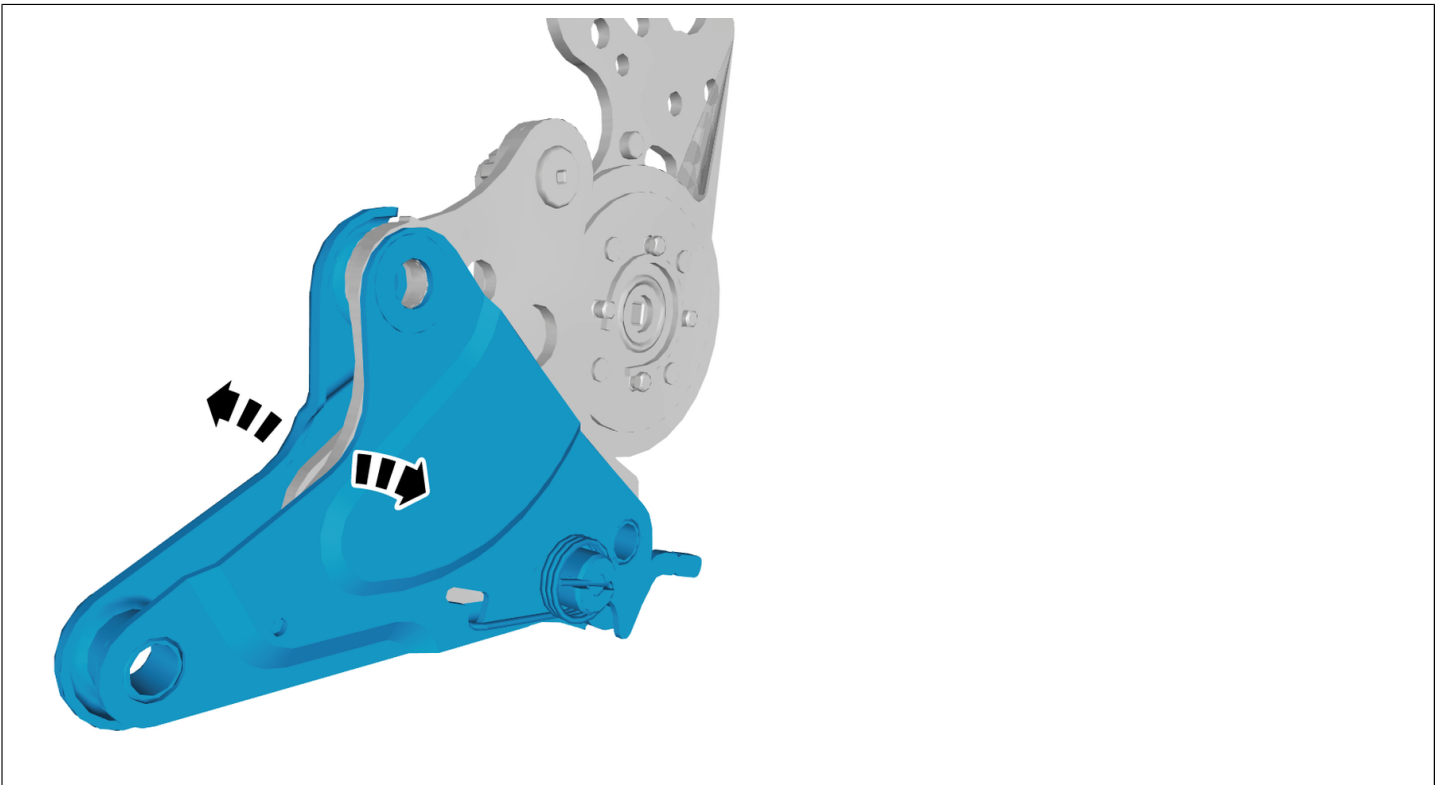
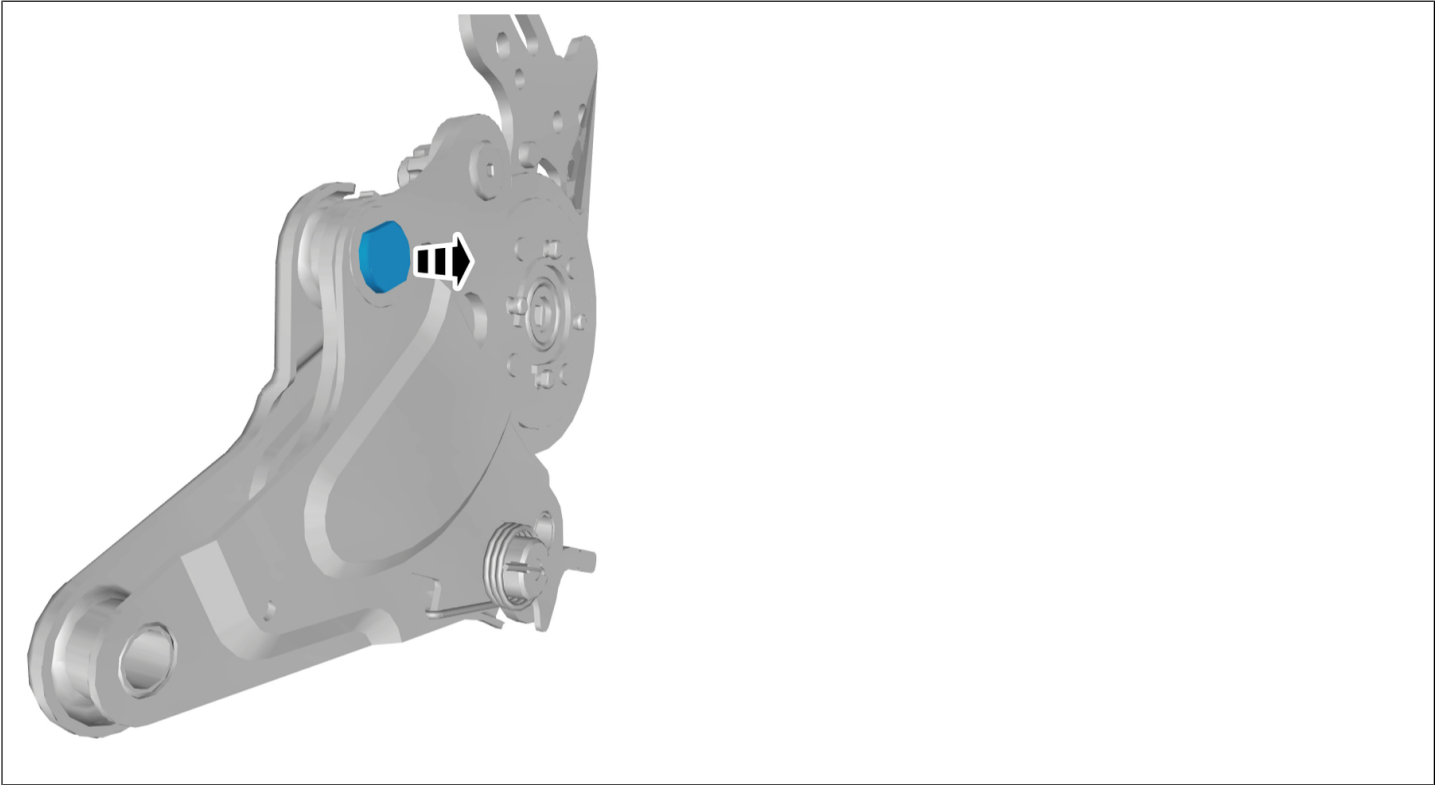


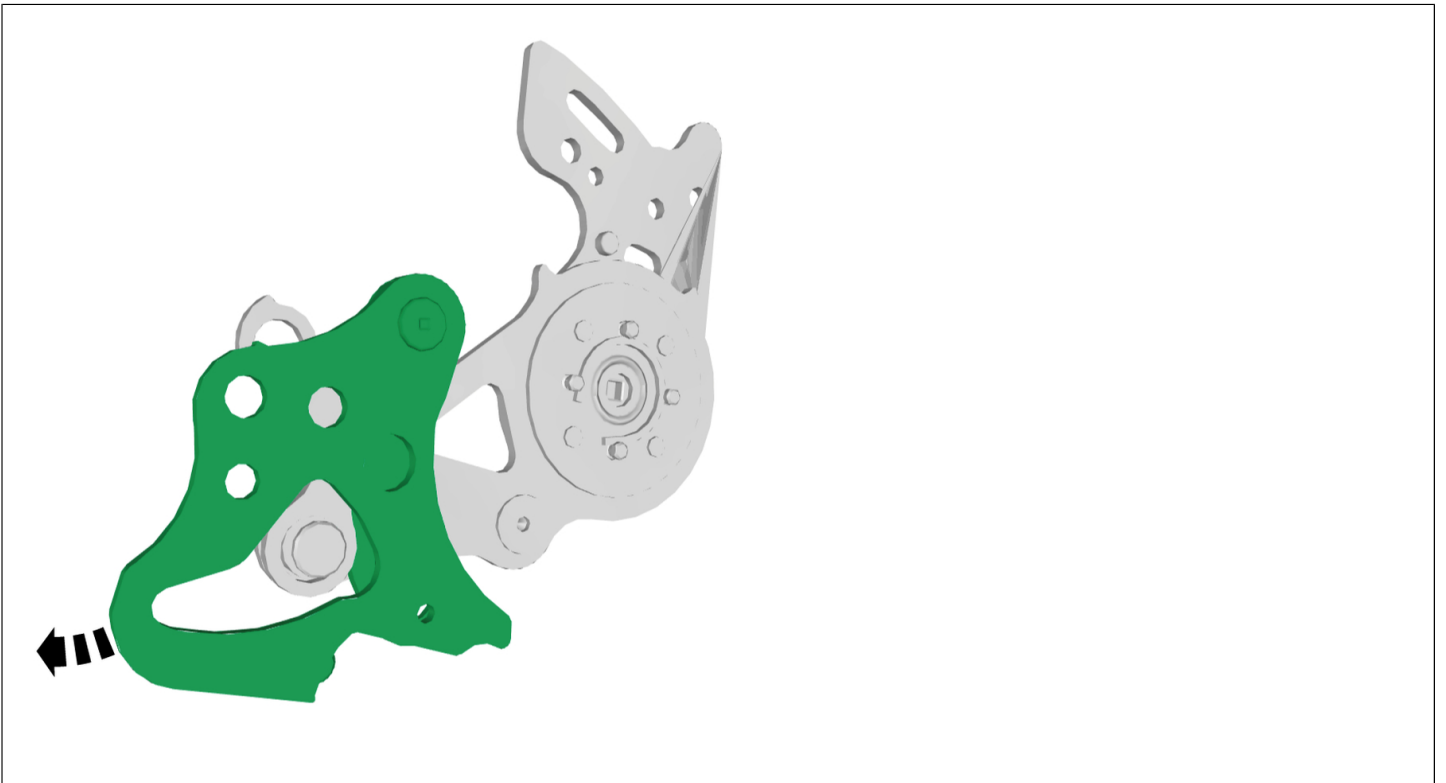
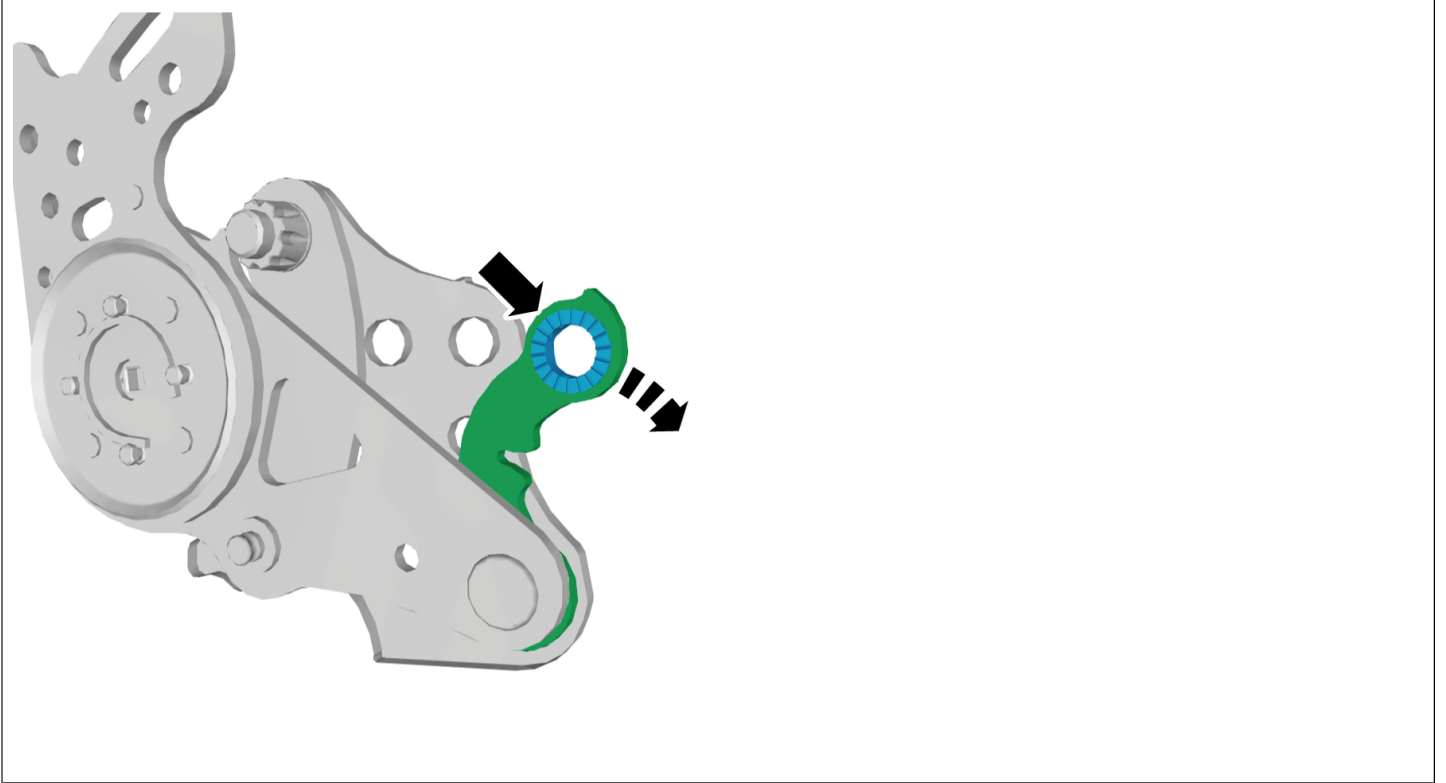
Warning! Take extra care when handling the compressed spring.

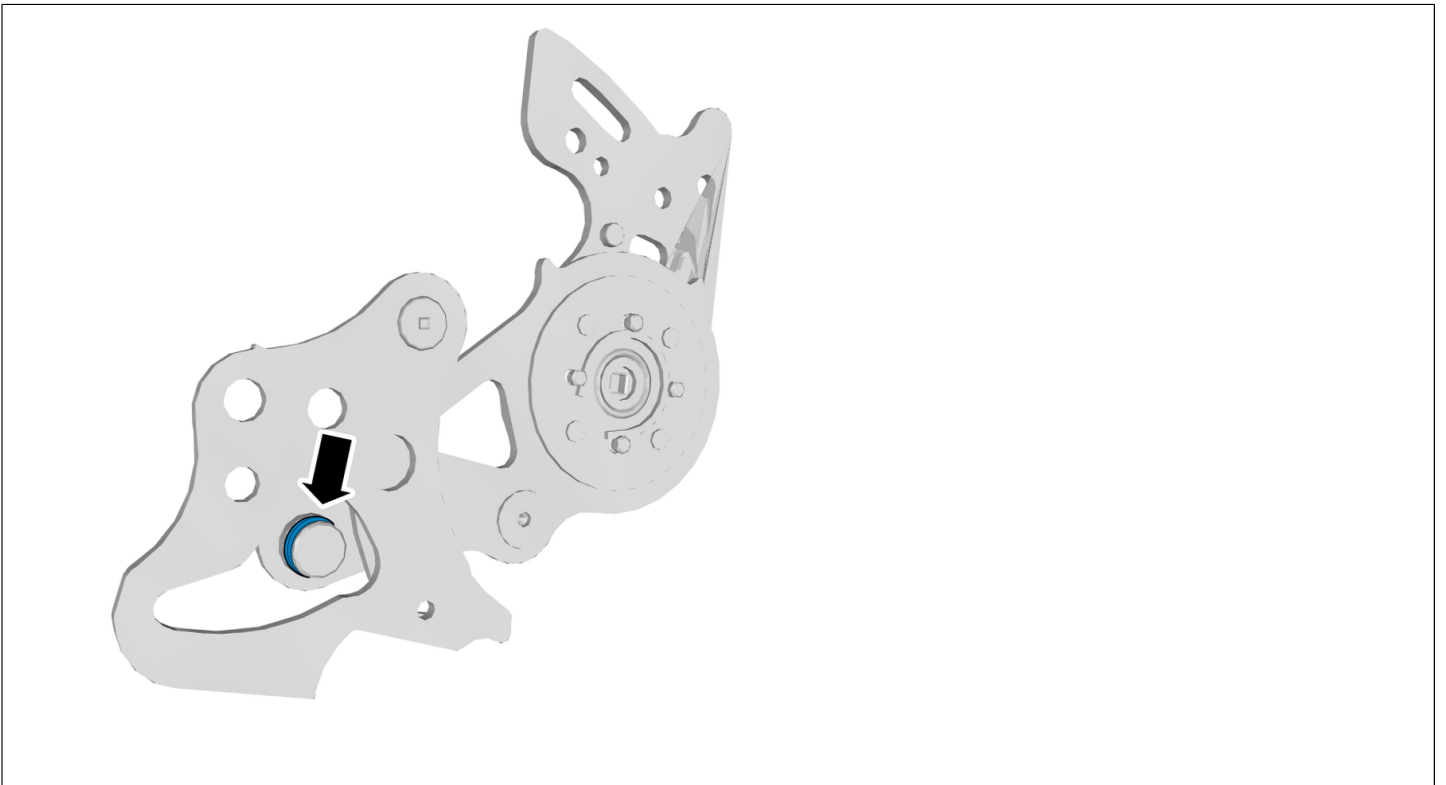
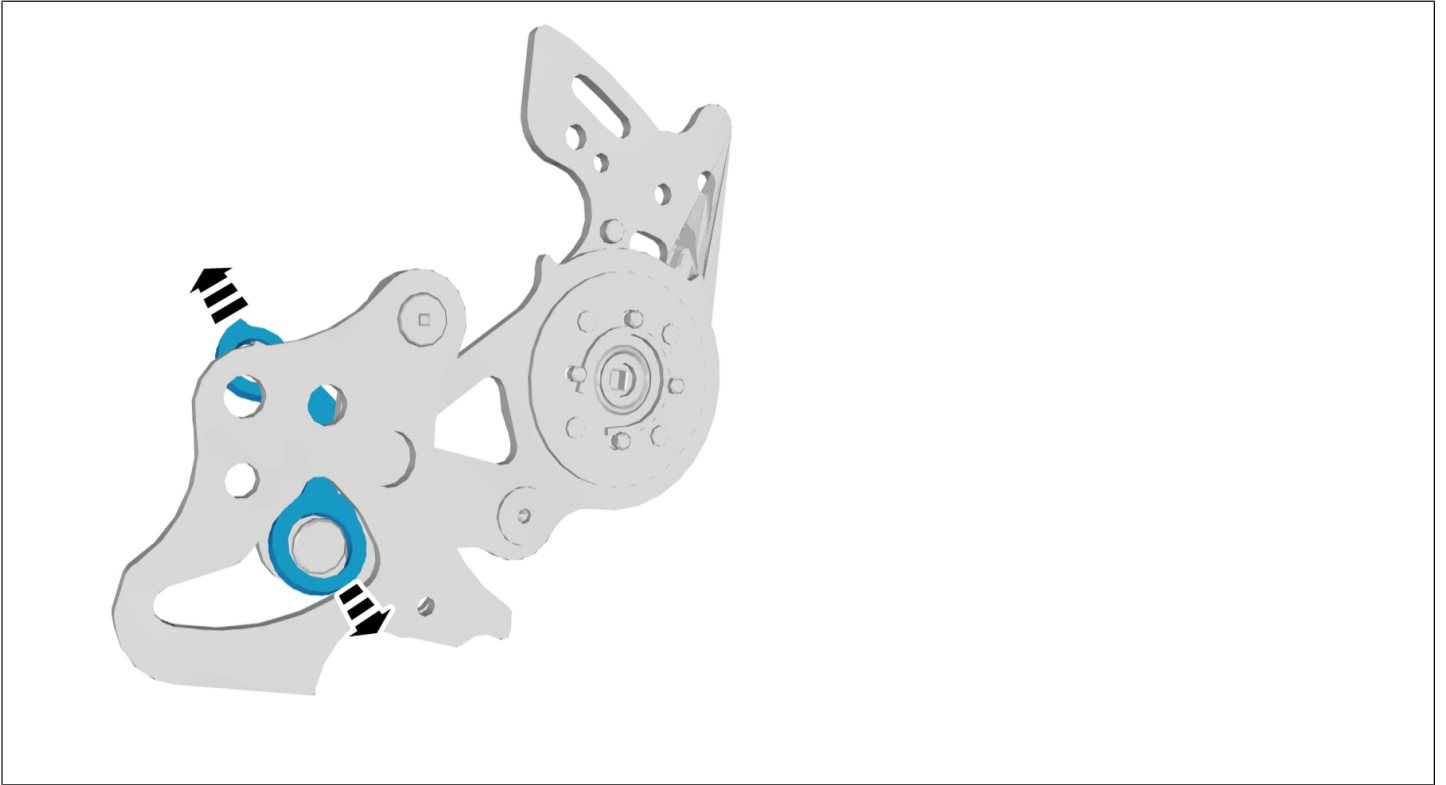
Torque:

Fitting bolt, hinge , 18 Nm









Installation

To install, reverse the removal procedure.