



Technical Journal

TITLE:

Front seat backrest, too much play

REF NO: TJ 32508.2.1	ISSUING DEPARTMENT: Technical Service	CAR MARKET: United States and Canada	
PARTNER: 3 US 7510 Volvo Car USA		ISSUE DATE: 2017-06-13	STATUS DATE: 2017-06-14
FUNC GROUP: 8522	FUNC DESC: Front seat excl. upholstery	Page 1 of 14	

“Right first time in Time”

Attachment

File Name	File Size
TJ 32508.pdf	4.3928 MB

Vehicle Type

Type	Eng	Eng Desc	Sales	Body	Gear	Steer	Model Year	Plant	Chassis range	Struc Week Range
234							2017-2017		0000350-0014120	201617-201702
235							2017-2017		0000160-0013753	201624-201702
236							2017-2017		0000098-0001614	201646-201702
256							2016-9999		0000561-0999999	201605-999952

CSC Customer Symptom Codes

Code	Description
ZD	Front seat/Squeak/rattle

VST Operation Number

VST Operation Number	Description
98674-2	Front seat adjust acc. to TJ32508

DTC Diagnostic Trouble Codes

Rows beginning with * are modified

Note! If using a printed copy of this Technical Journal, first check for the latest online version.



Text

DESCRIPTION:

Too much play in the backrest on front seat.

SERVICE:

The locking retainer/washer must not be tight against the seat frame. It must have a play of 1,0mm +/-0,5mm.

See repair instruction TJ 32508.

VEHICLE REPORT:

Yes, please submit a Vehicle Report if the service solution described in this TJ has no effect. Use concern area "Vehicle Report" and sub concern area "Support not needed", use function group 8522.

To view TJ attachment continue to next page. This TJ has one attachment.



Volvo Car Customer Service

TJ 32508

Title	Front seat	Page	1 (12)
Action	Product fix	Operation number:	98674-2

Issue	Date	Reason
1	2017-05	First issue

Affected vehicles

Model year	Model
2017,2018	S90 (17-)
2018	V90 (17-)
2018	V90 Cross Country
2016, 2017	XC90 (16-)

Materials

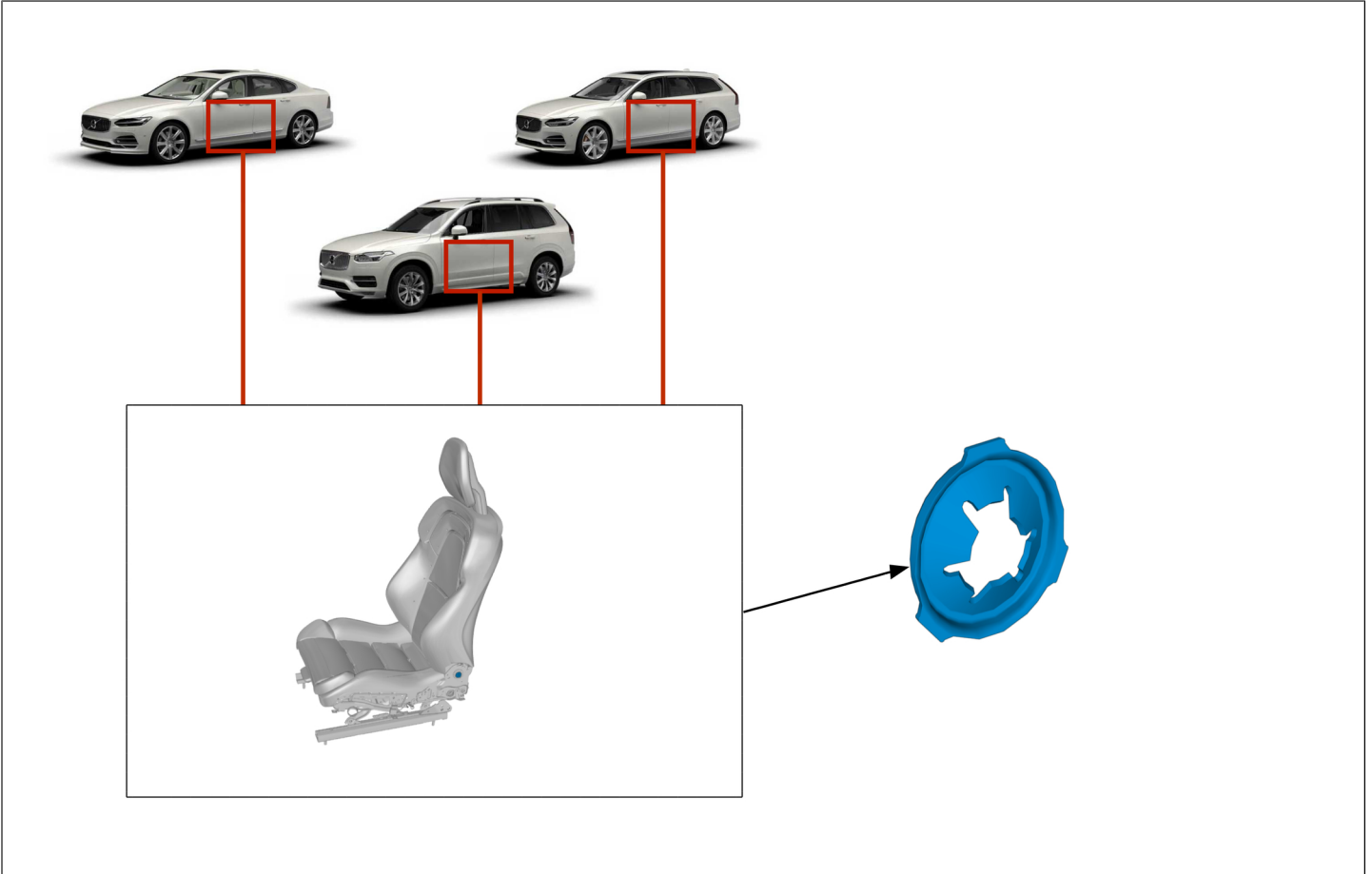
Materials	Qty.	Part No.	Notes
Fastener	1.0	31446429	

Equipment

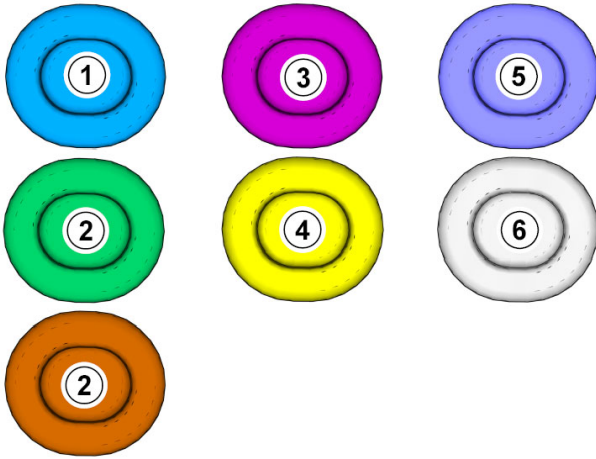
Designation	Part No.
Plier	
Feeler gauge	

Removal

Note! Removal steps in this procedure may contain installation details.



Color symbols

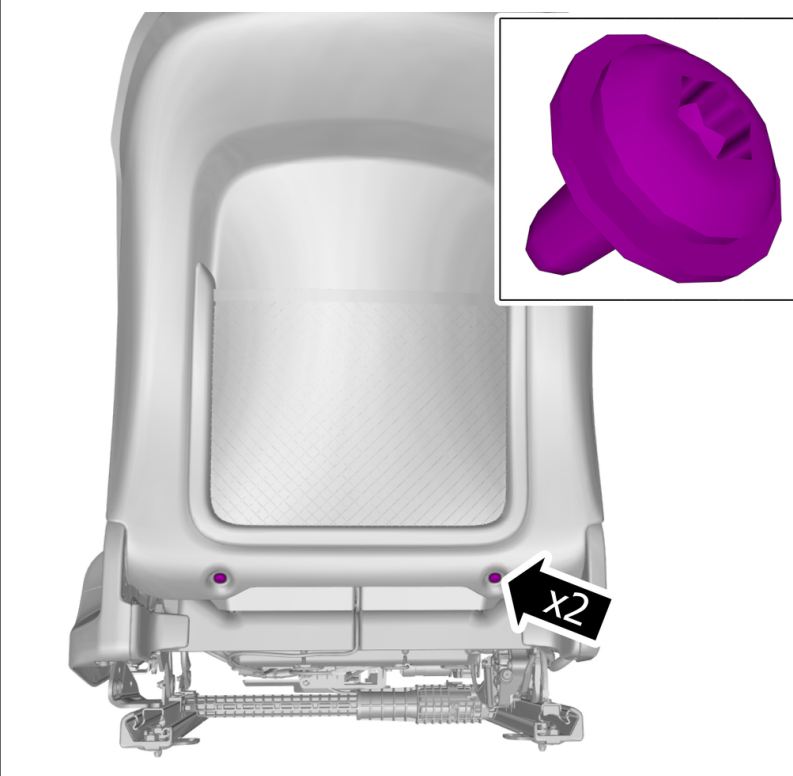


Note! This colour chart displays (in colour print and electronic version) the importance of the different colours used in the images of the method steps.

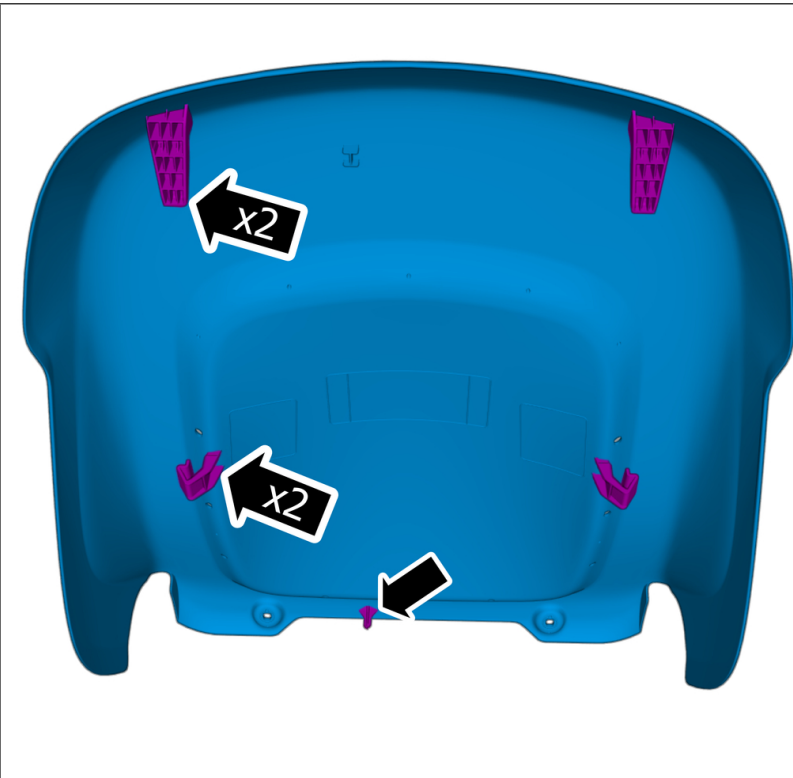
- 1 . Used for focused component, the component with which you will do something.
- 2 . Used as extra colors when you need to show or differentiate additional parts.
- 3 . Used for attachments that are to be removed/installed. May be screws, clips, connectors, etc.
- 4 . Used when the component is not fully removed from the vehicle but only hung to the side.
- 5 . Used for standard tools and special tools.
- 6 . Used as background color for vehicle components.

Orientation view

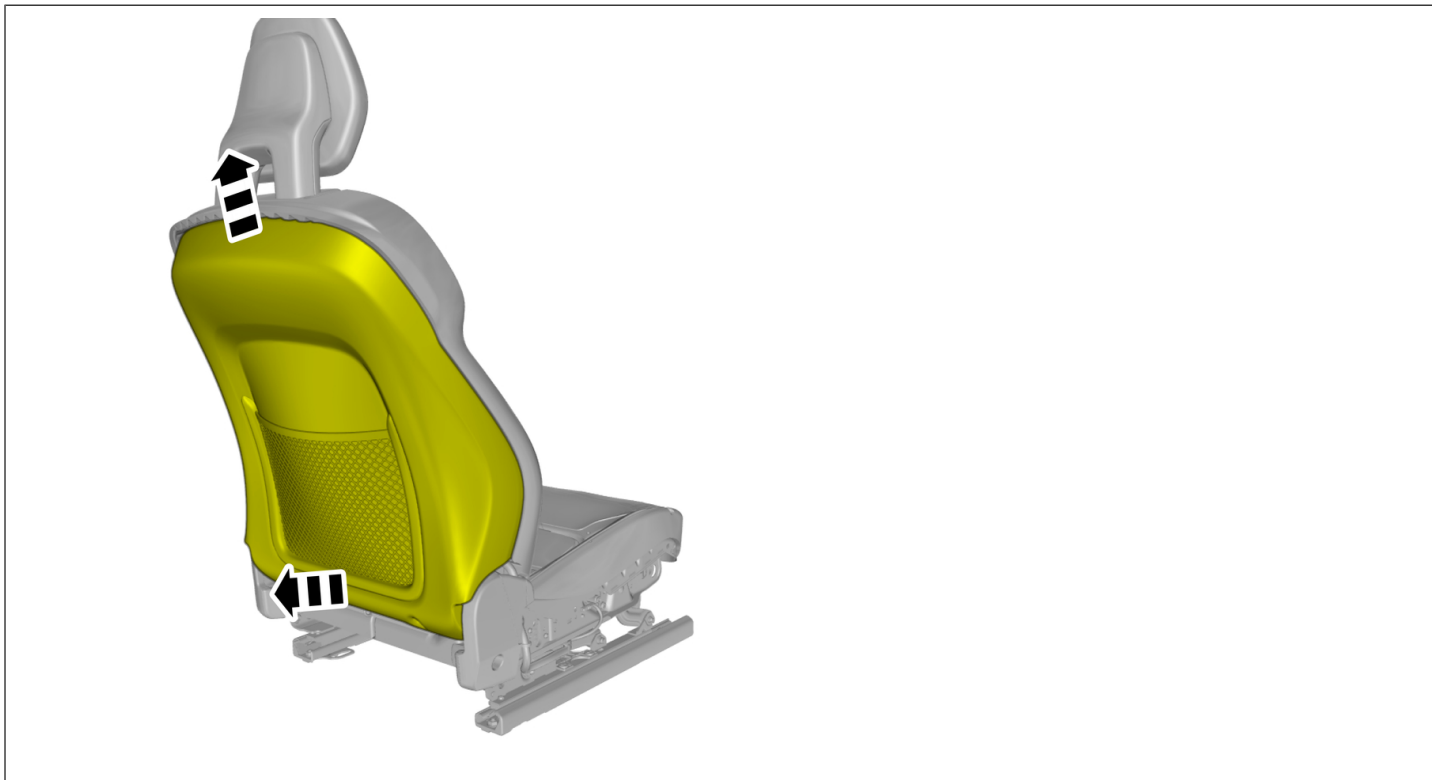




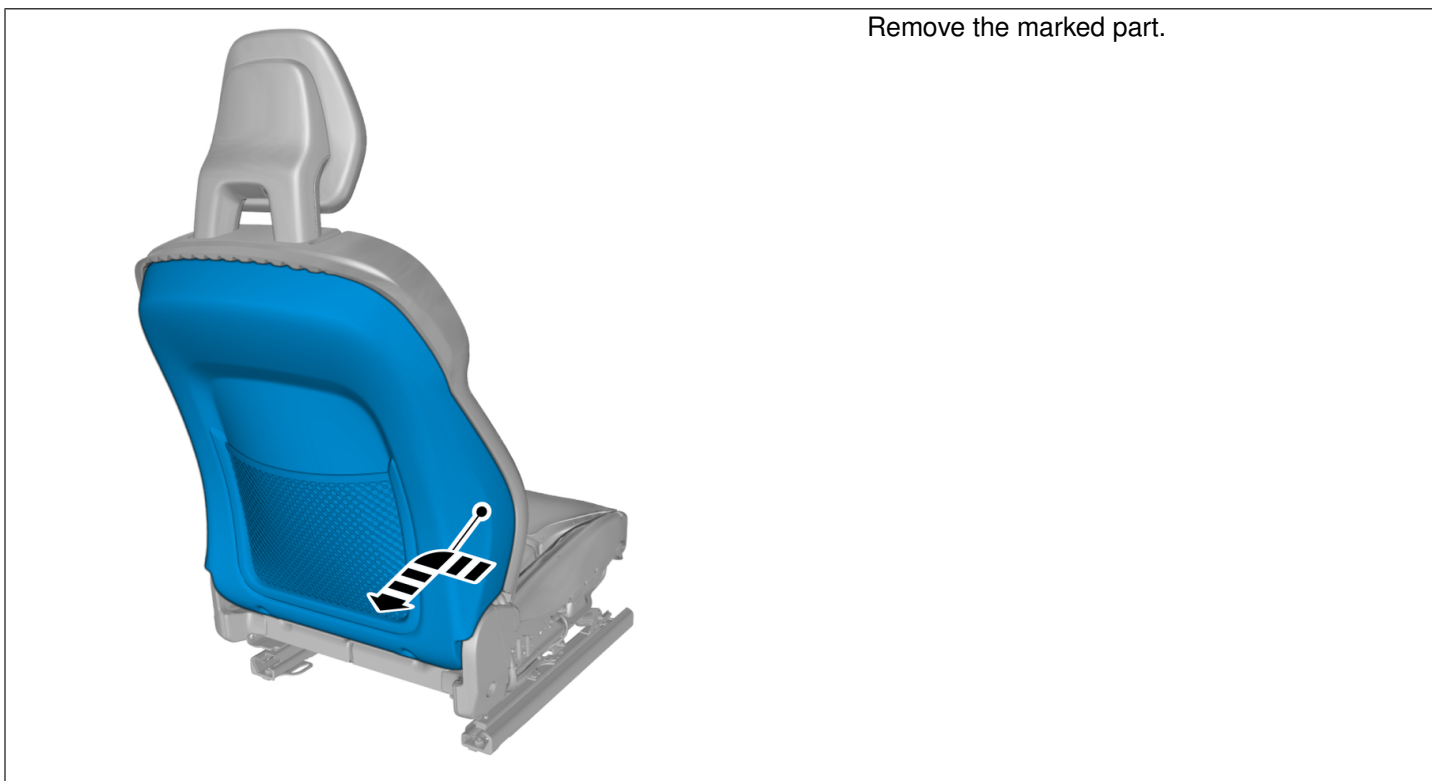
Remove the screws.

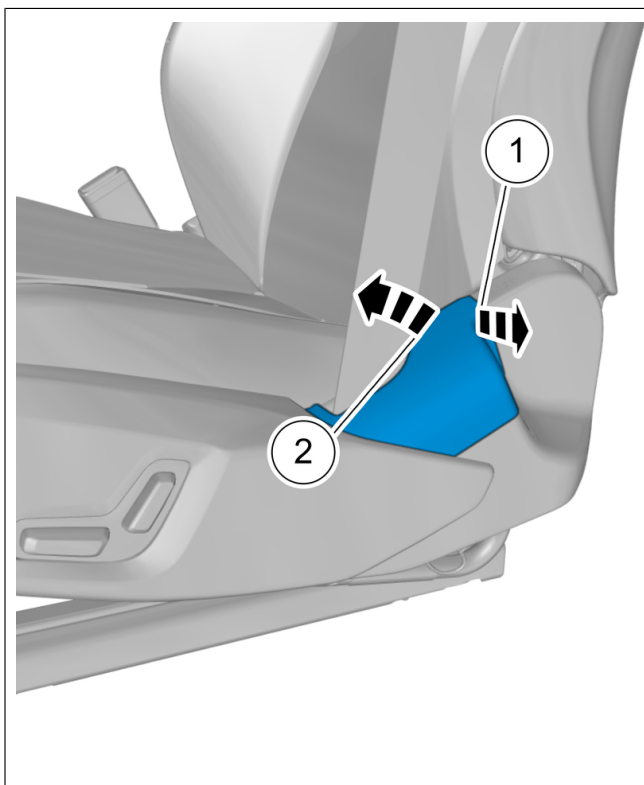
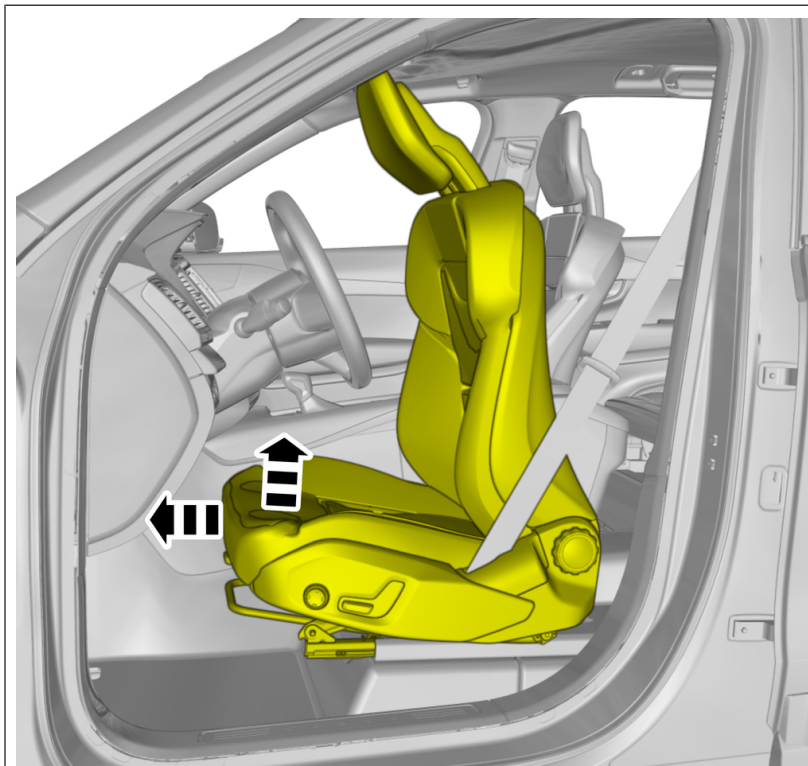


Note! The graphic shows the back of the component before removal.



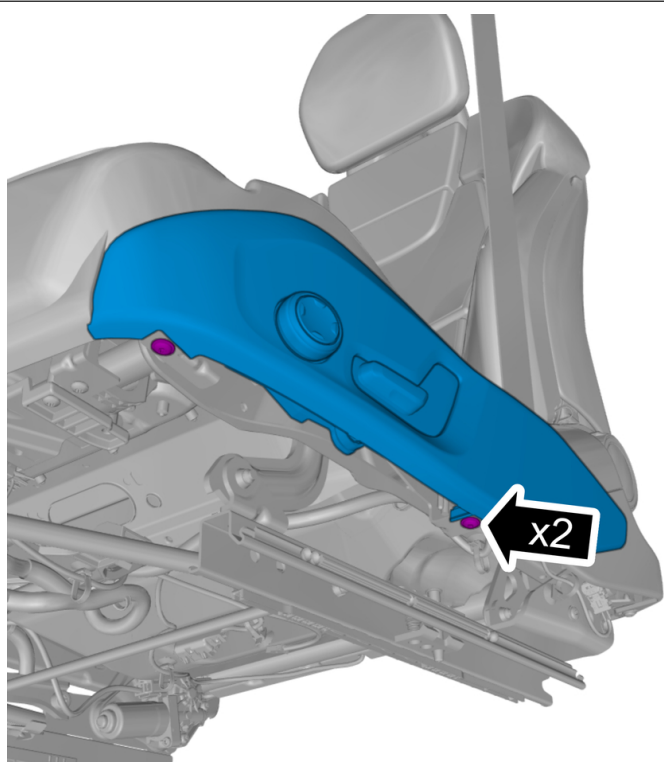
Remove the marked part.



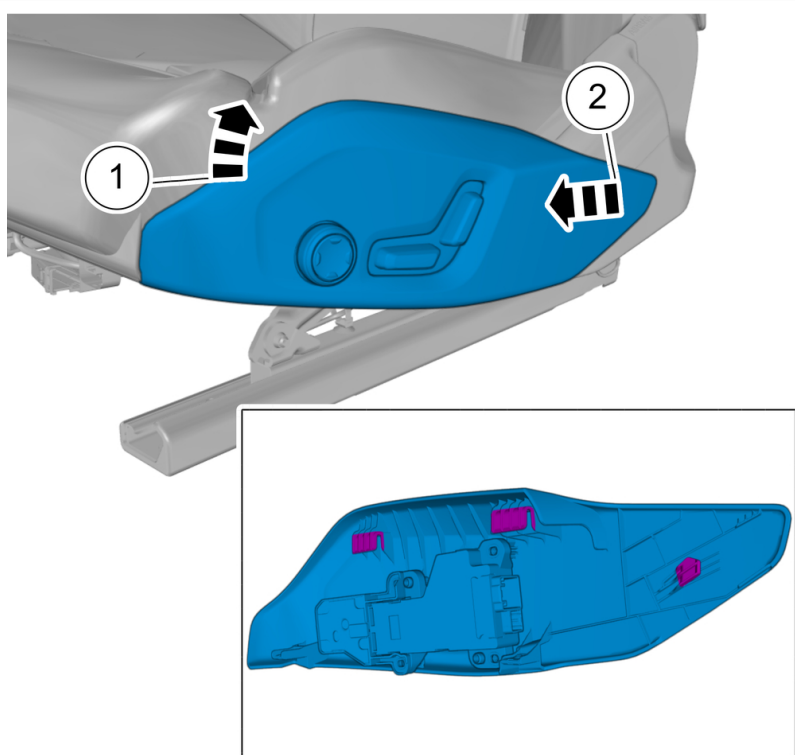


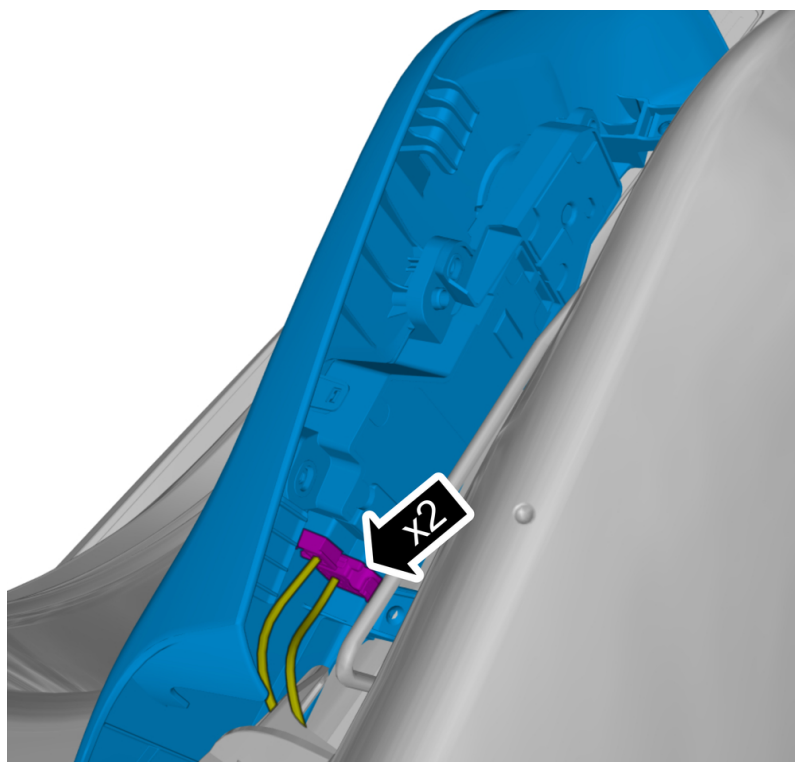
Remove the panel.

Remove the screws.



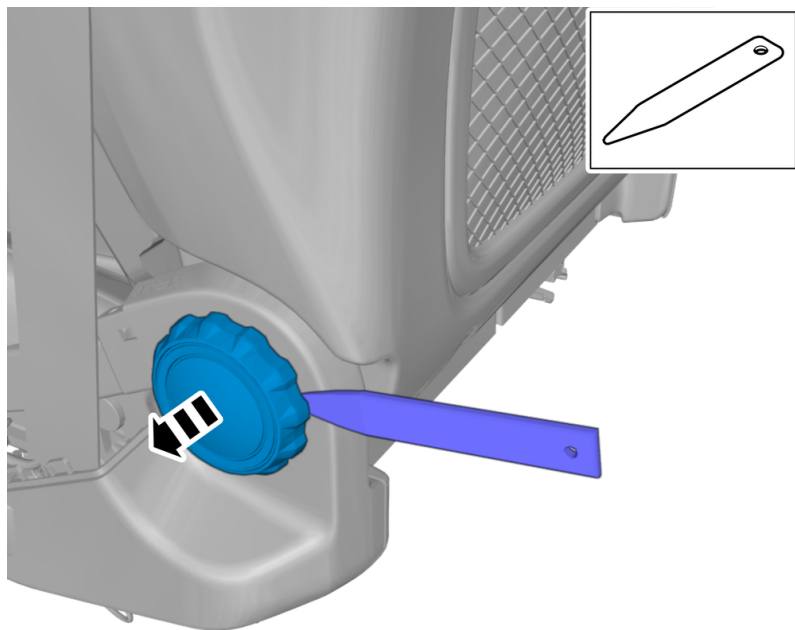
Remove the marked part.





Disconnect the connector.

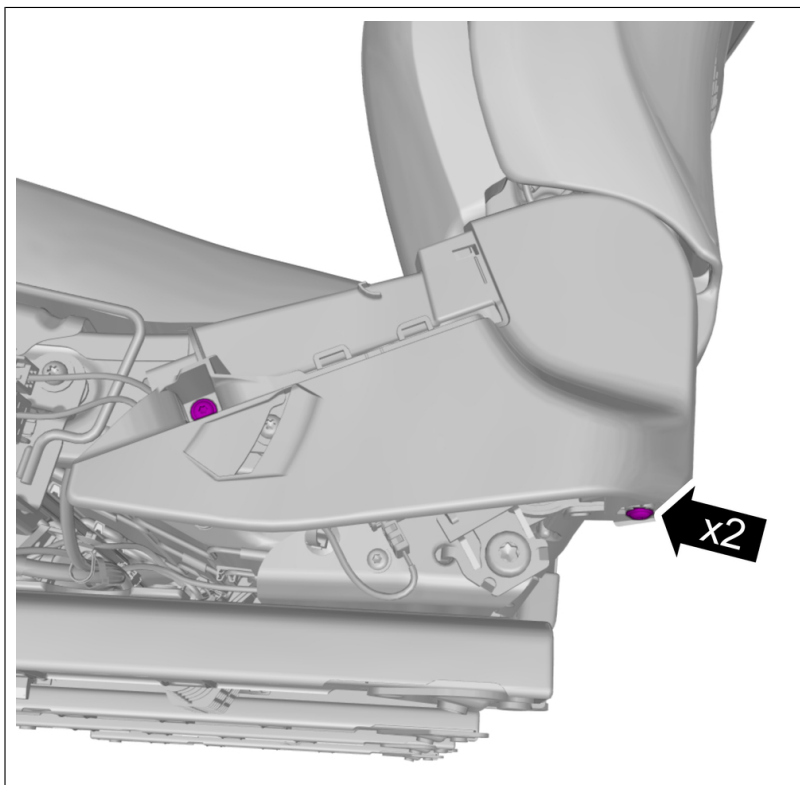
Vehicles without power seats



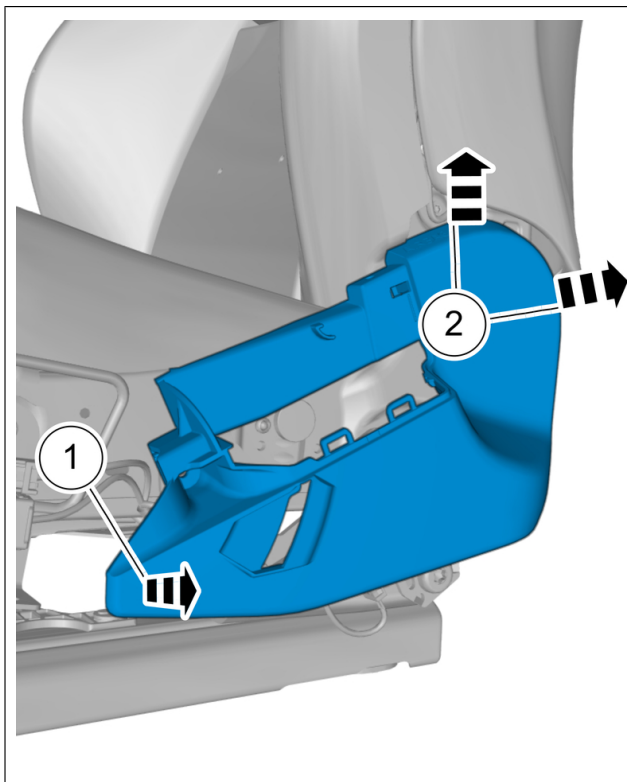
Remove the marked part.

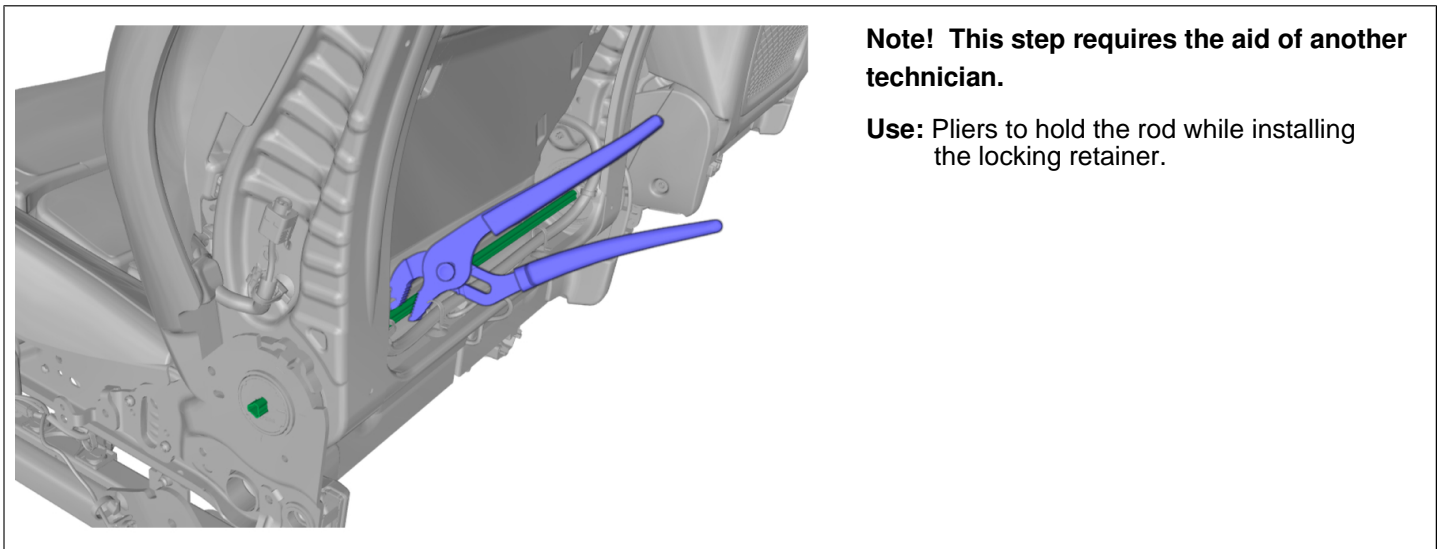
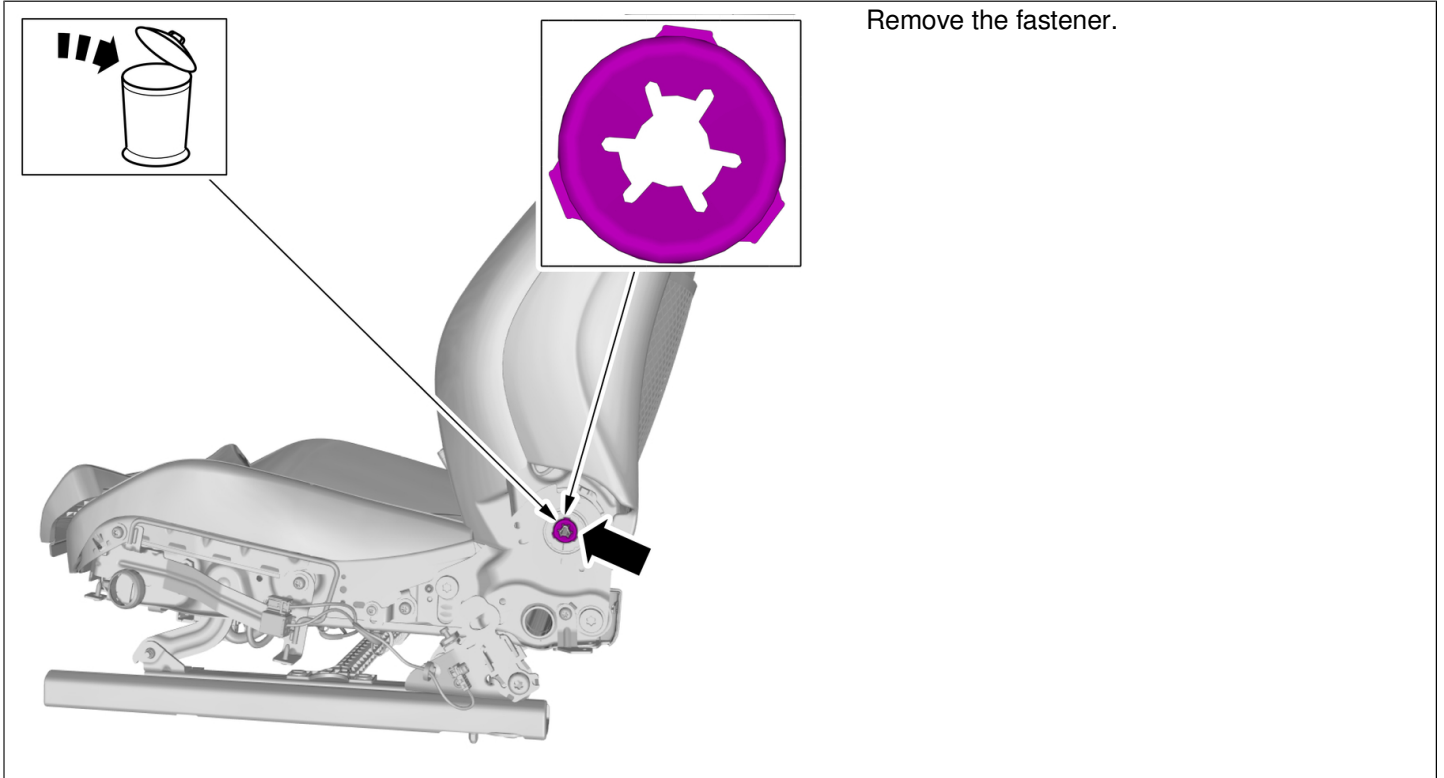
All vehicles

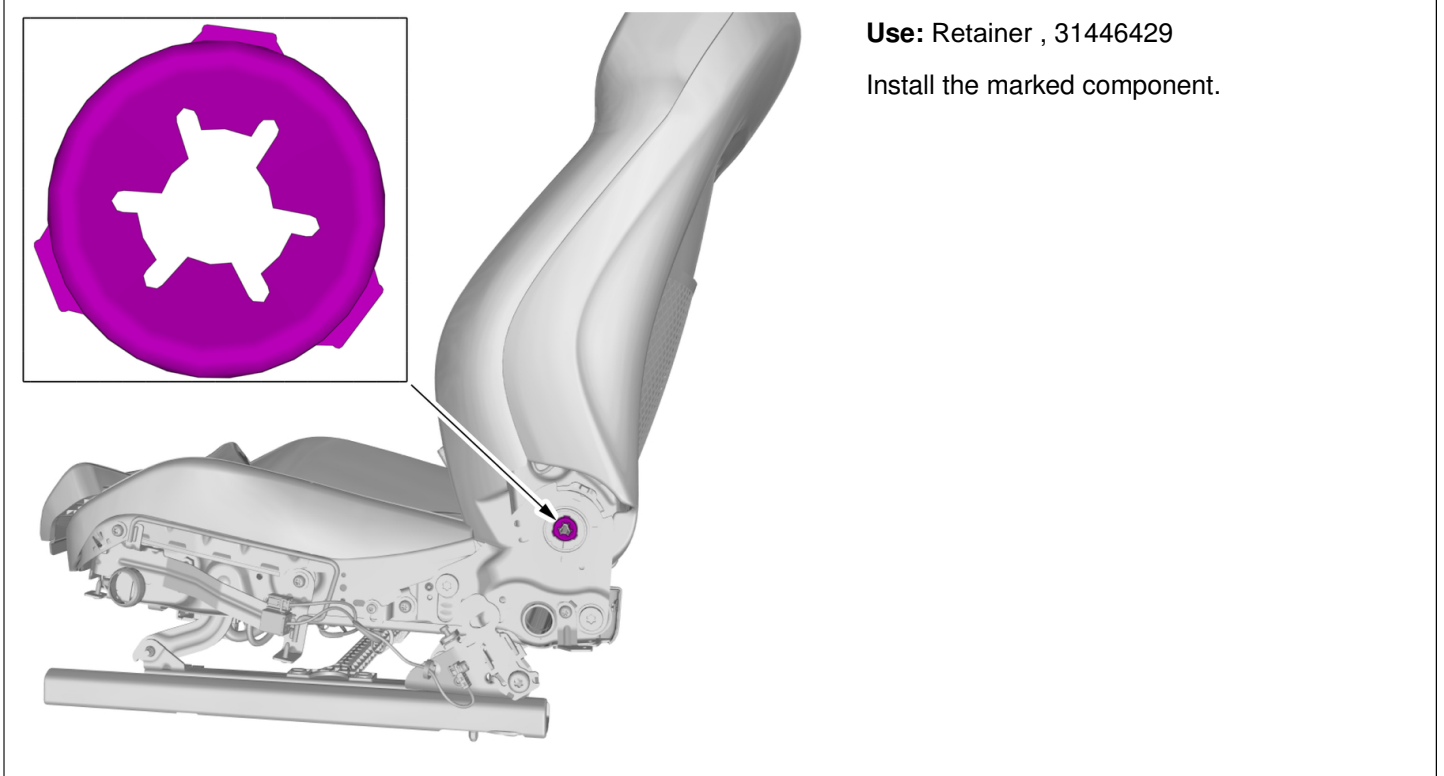
Remove the screws.



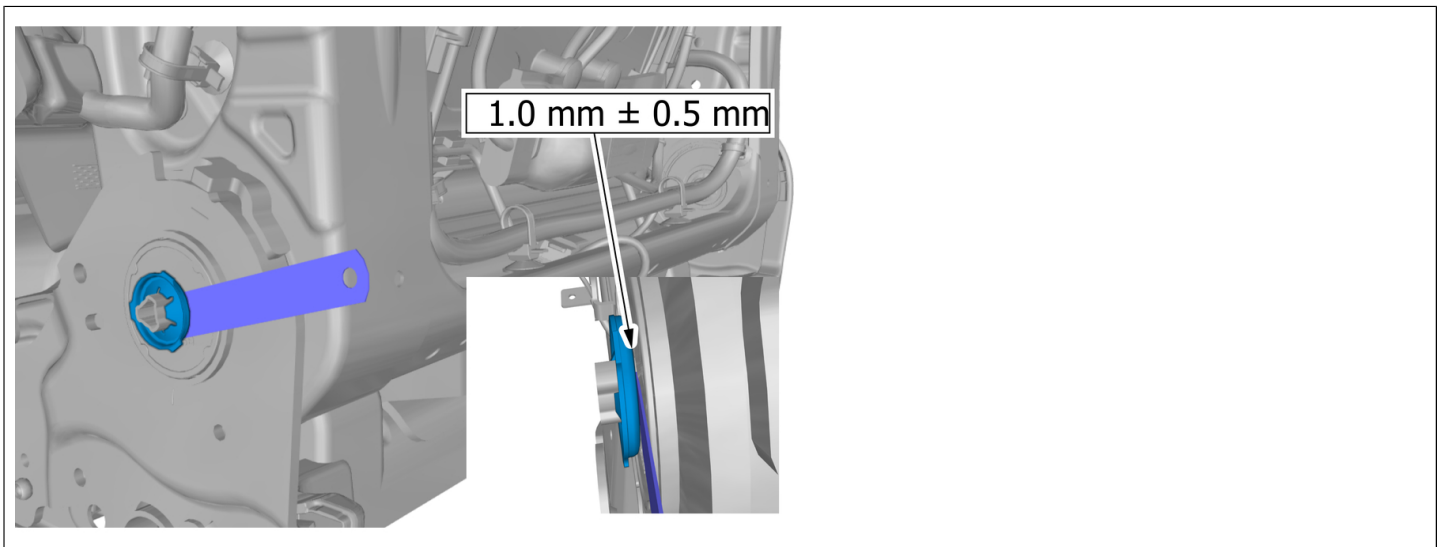
Remove the marked part.

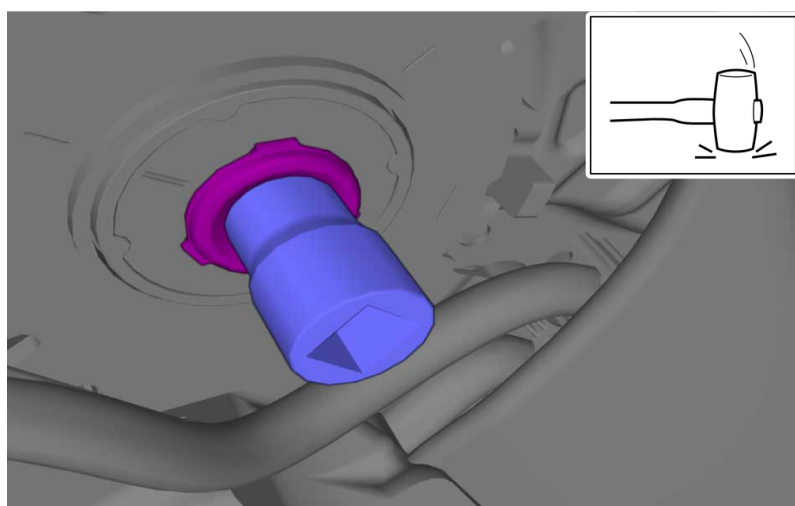




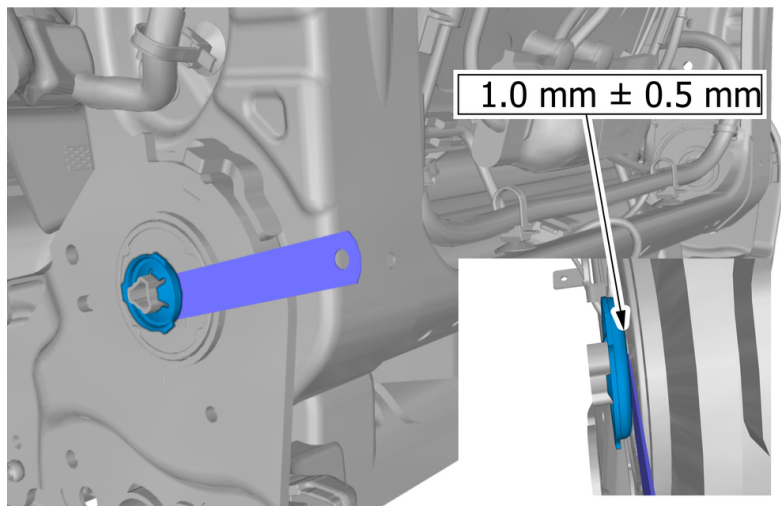


Adjustment





Note! Hit the panel surface lightly several times rather than hitting it hard once.



Adjust to the specified value.

Use: Feeler gauge

Installation

To install, reverse the removal procedure.