



Technical Journal

TITLE:

Recall R89716: Replace 3rd Row Passengers Side Seatbelt Retractor

REF NO: TJ 32813.1.1	ISSUING DEPARTMENT: Technical Service	CAR MARKET: United States and Canada	
PARTNER: 3 US 7510 Volvo Car USA		ISSUE DATE: 2017-06-08	STATUS DATE: 2017-06-08
FUNC GROUP: 8800	FUNC DESC: Interior equipment	Page 1 of 11	

“Right first time in Time”

Attachment

File Name	File Size
QBI-504457-1_1_0_en-US.pdf	3.5869 MB

Vehicle Type

Type	Eng	Eng Desc	Sales	Body	Gear	Steer	Model Year	Plant	Chassis range	Struc Week Range
256							2017-2017		-	0-0

CSC Customer Symptom Codes

Code	Description
XW	Service/repair/Service action/Recall

VST Operation Number

VST Operation Number	Description
97195	Replace 3rd Row Passenger Side Seatbelt Retractor

DTC Diagnostic Trouble Codes

Rows beginning with * are modified

Note! If using a printed copy of this Technical Journal, first check for the latest online version.

Text

**DESCRIPTION:**

Volvo Car USA LLC and Volvo Car Canada LTD (Volvo) on behalf of Volvo Car Group has decided to launch Recall R89716 on certain model year 2017 XC90 vehicles with 7 seats.

The crimping of the tube for the Micro Gas Generator (MGG) in the 3rd row passengers side seat belt retractor, was not manufactured to specification. In the event of a crash where the pre-tensioner is activated and in combination with certain conditions, the MGG squib may detach and be propelled out of the tube. If the MGG squib penetrates the inner side trim panel, it will lose most of its kinetic energy before it may enter the 3rd row occupant compartment.

Despite this condition, the seat belt functions properly.

SERVICE:

The corrective action is to replace the 3rd row passenger's side seatbelt retractor.

VEHICLE REPORT:

N/A

To view TJ attachment continue to next page. This TJ has one attachment.



Volvo Car Customer Service

QB Instruction VCC-504457-1

Title	Seat belt retractor, rear	Page	1 (9)
Action	Replacement	Operation number:	97195-2

Issue	Date	Reason
1	2017-05	First issue

Affected vehicles

Model year	Model
2017	XC90 (16-)

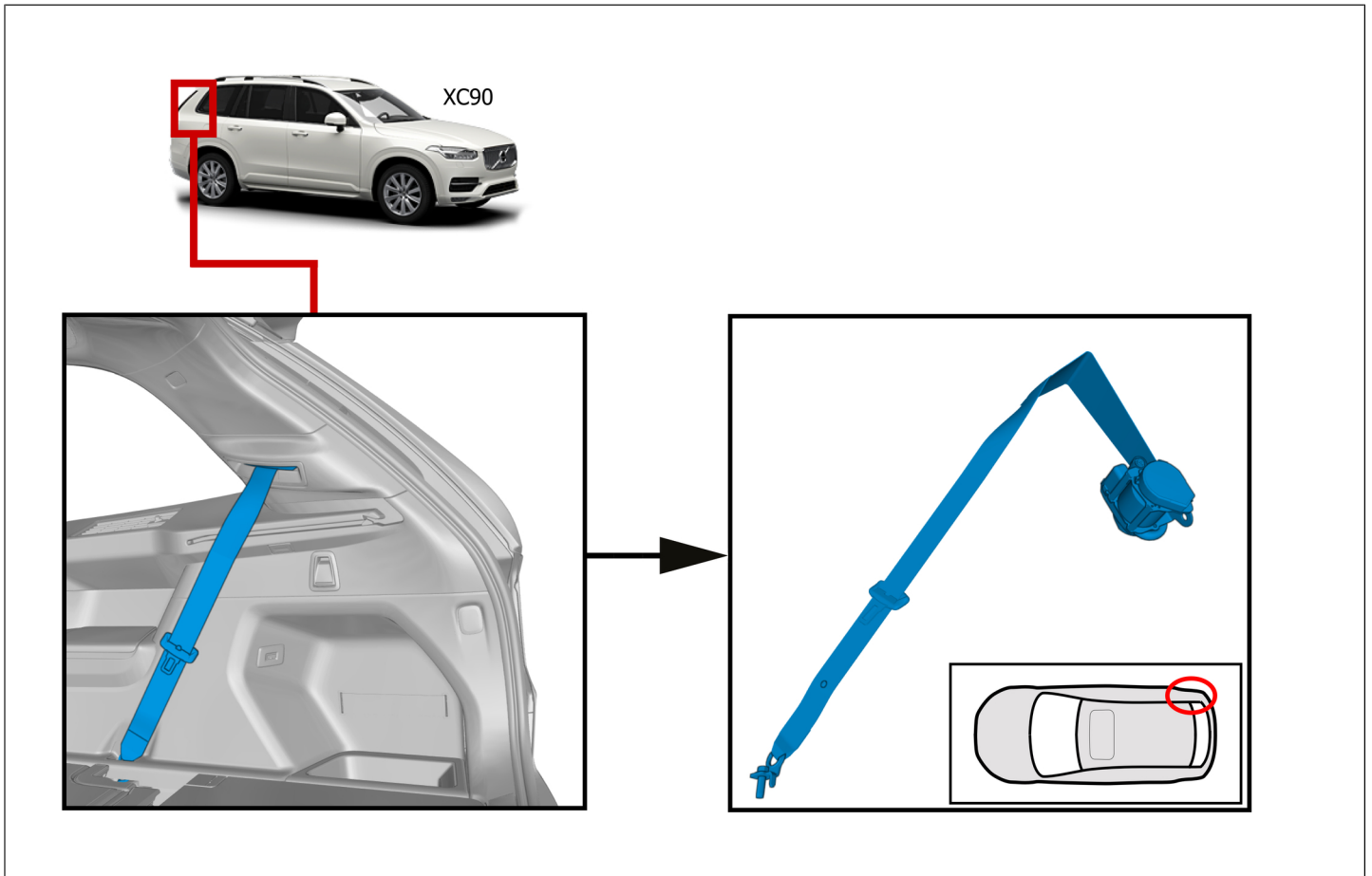
Materials

Materials	Qty.	Part No.	Notes
Seat belt	1.0	39825742	3:D Row, Charcoal, US/CDN, RH;
Seat belt	1.0	39842894	3:D Row, Blond, US/CDN, RH;

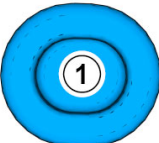
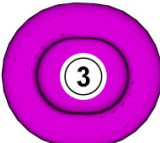
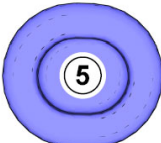
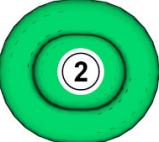
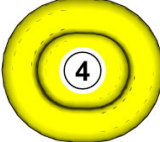
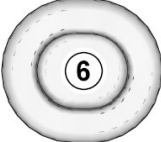
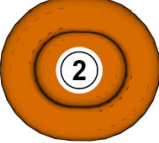
Special tools

Description	Part No.
Interior trim remover	981 4071

Orientation view



Color symbols

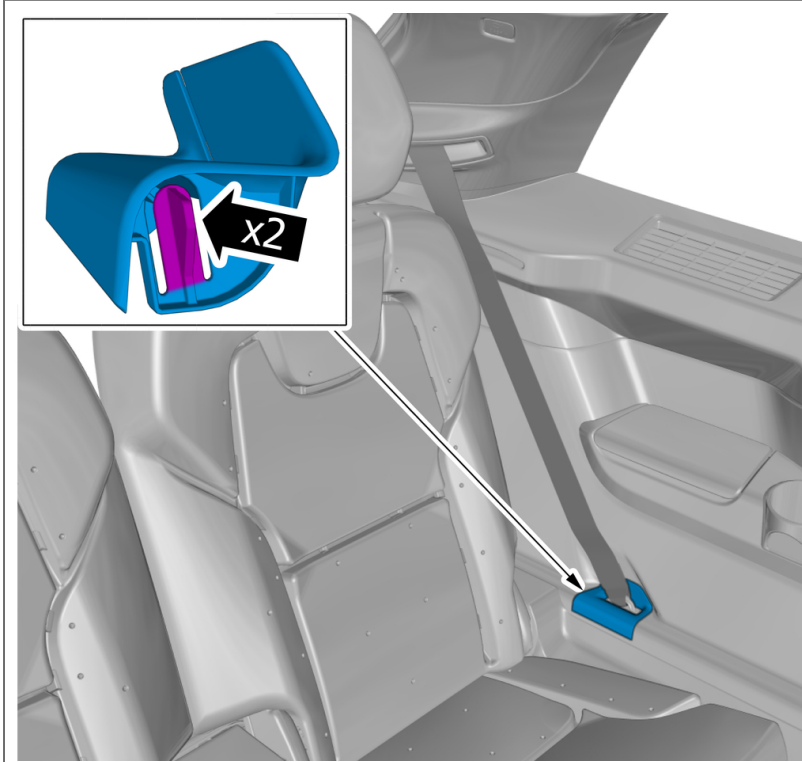
		
		
		

Note! This colour chart displays (in colour print and electronic version) the importance of the different colours used in the images of the method steps.

- 1 . Used for focused component, the component with which you will do something.
- 2 . Used as extra colors when you need to show or differentiate additional parts.
- 3 . Used for attachments that are to be removed/installed. May be screws, clips, connectors, etc.
- 4 . Used when the component is not fully removed from the vehicle but only hung to the side.
- 5 . Used for standard tools and special tools.
- 6 . Used as background color for vehicle components.

Removal

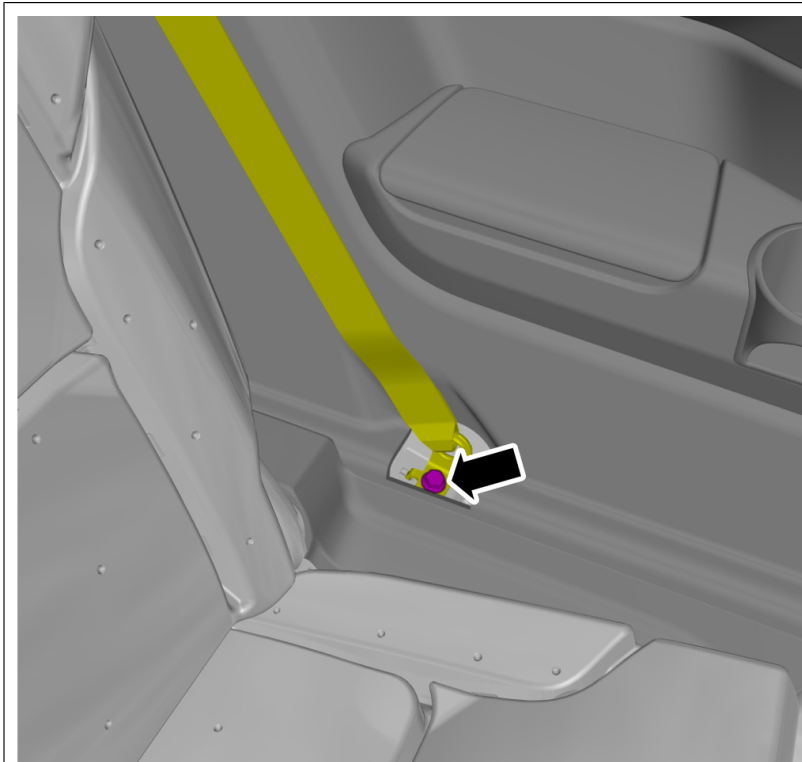
Note: Although some of the below images for interior panel removal show the left side of the vehicle, this action applies to the right side of the vehicle only.



Right-hand side

Remove the marked part.

Special Tool: T9814071, Interior trim remover

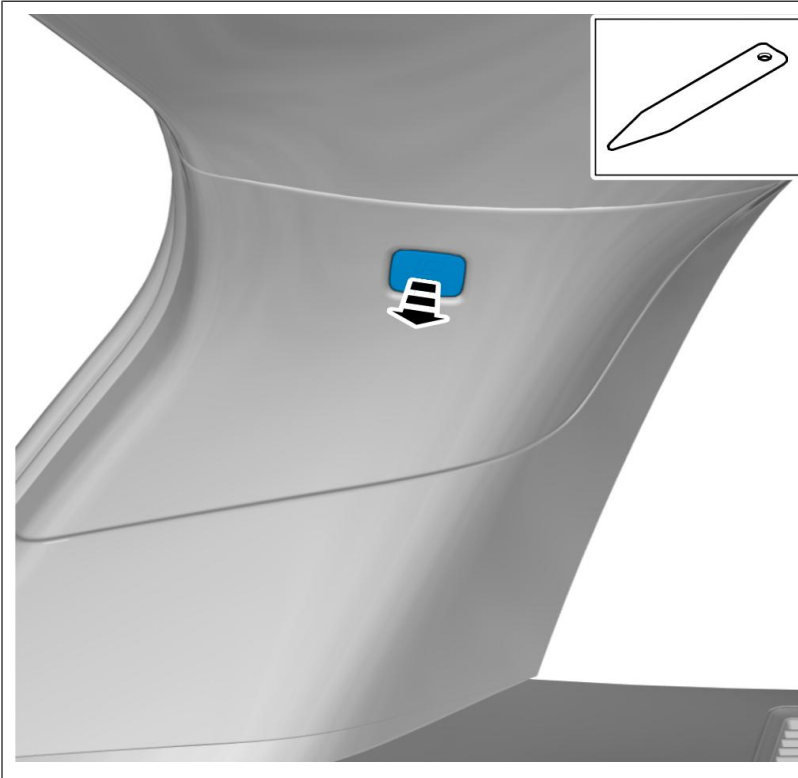


Right-hand side

Remove the screw.

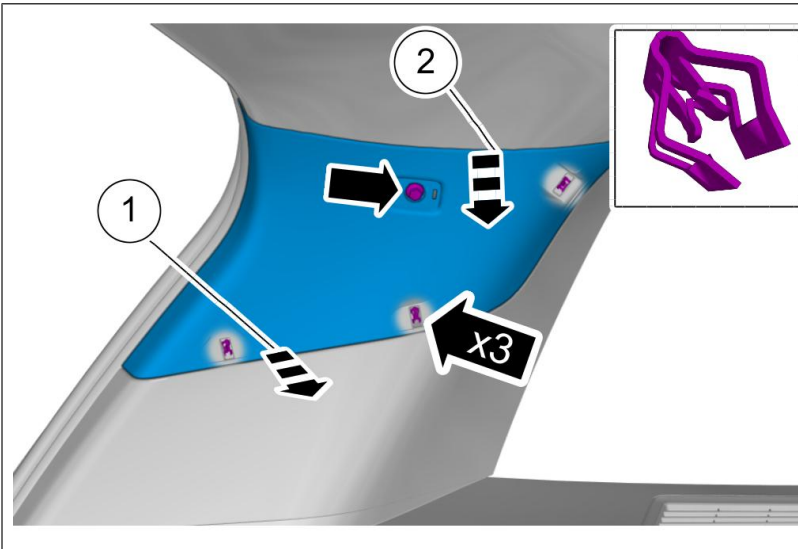
Torque:

Safety belt lower anchor to body (rear) ,
40 Nm



Right-hand side
Remove the marked part.

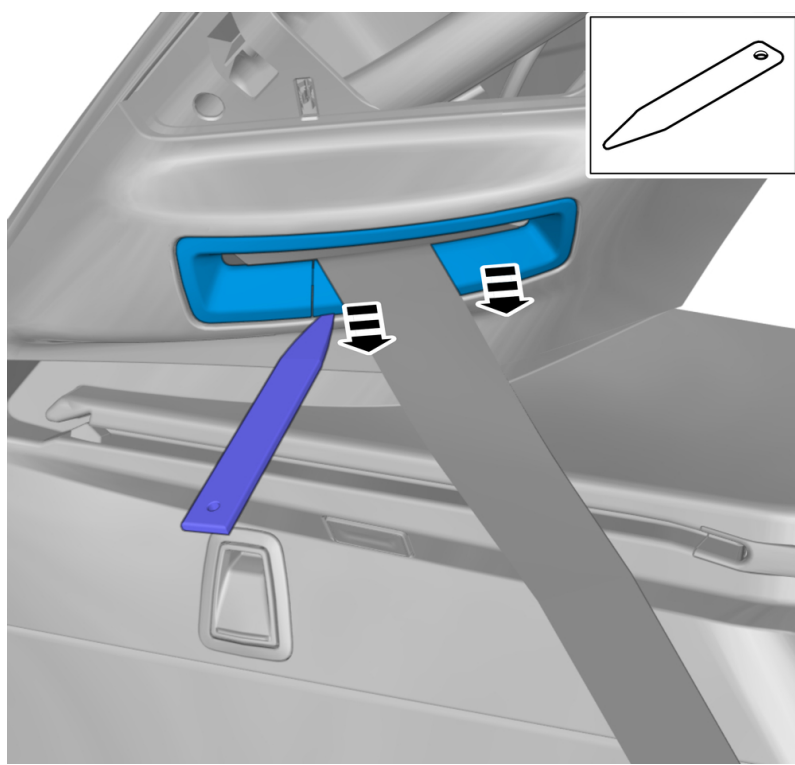
Special Tool: T9814071, Interior trim remover



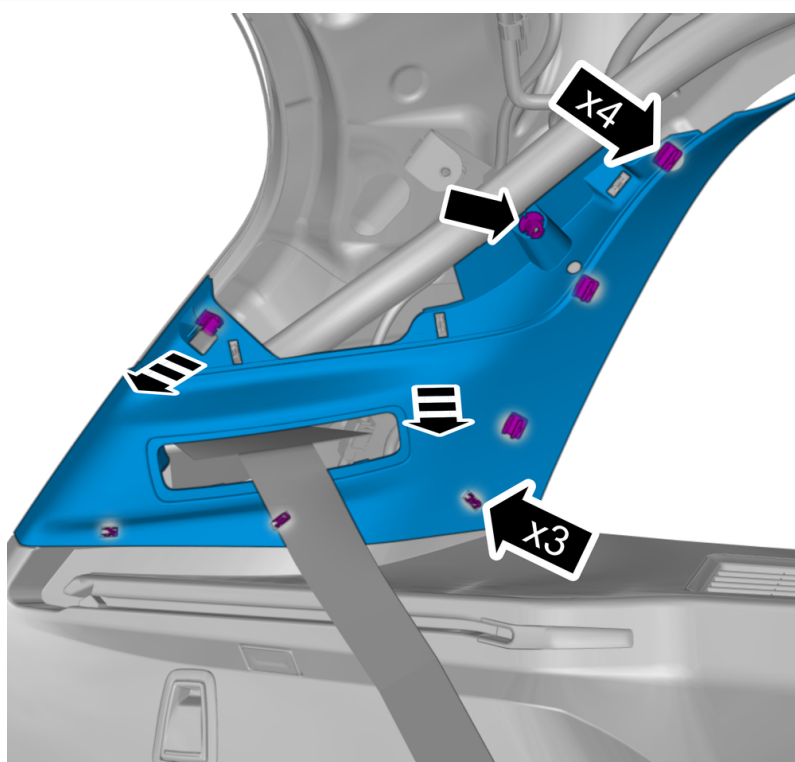
Right-hand side

1 . **Torque:**
Panel, to D-Pillar , 4.5 Nm

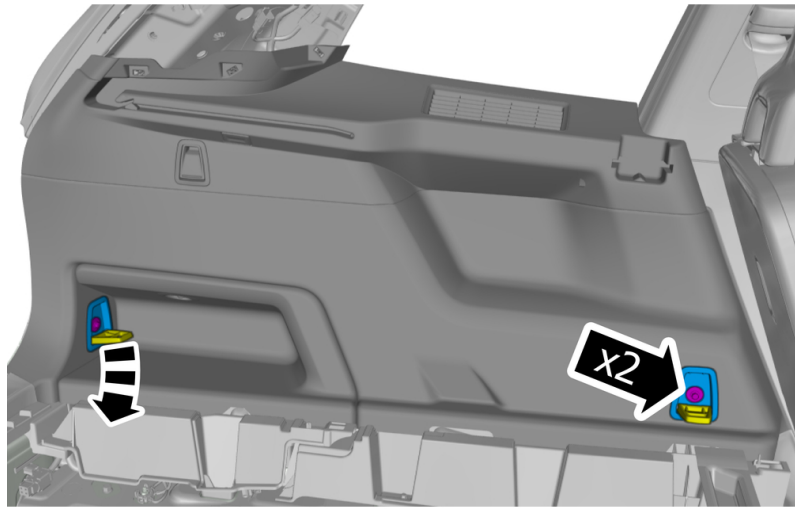
2 . Remove the screw.
3 . Remove the panel.



Right-hand side
Remove the marked part.
Special Tool: T9814071, Interior trim remover



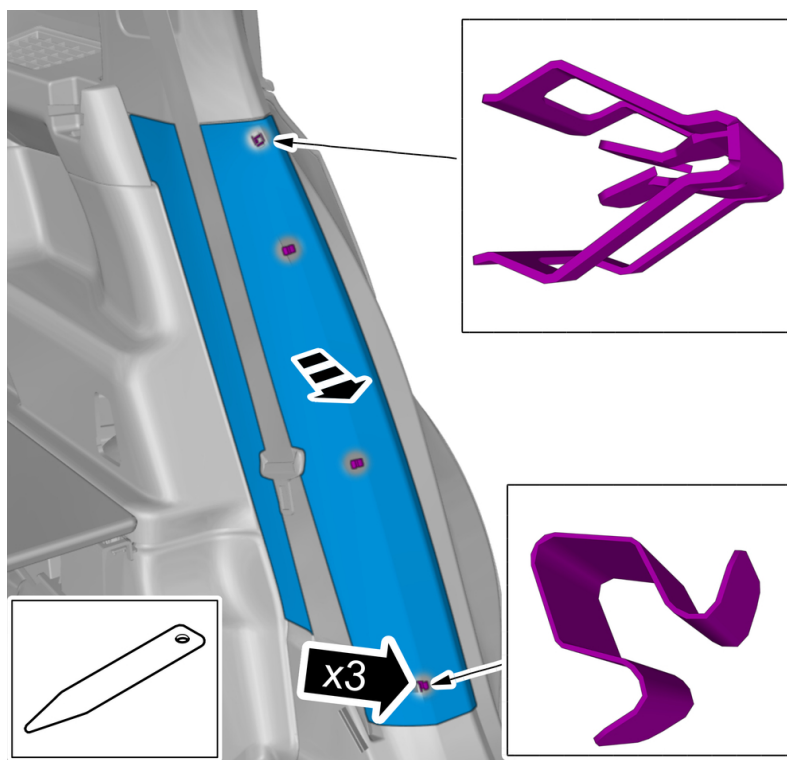
Right-hand side
Remove the nut.
Remove the marked part.



Right-hand side
Remove the screws.

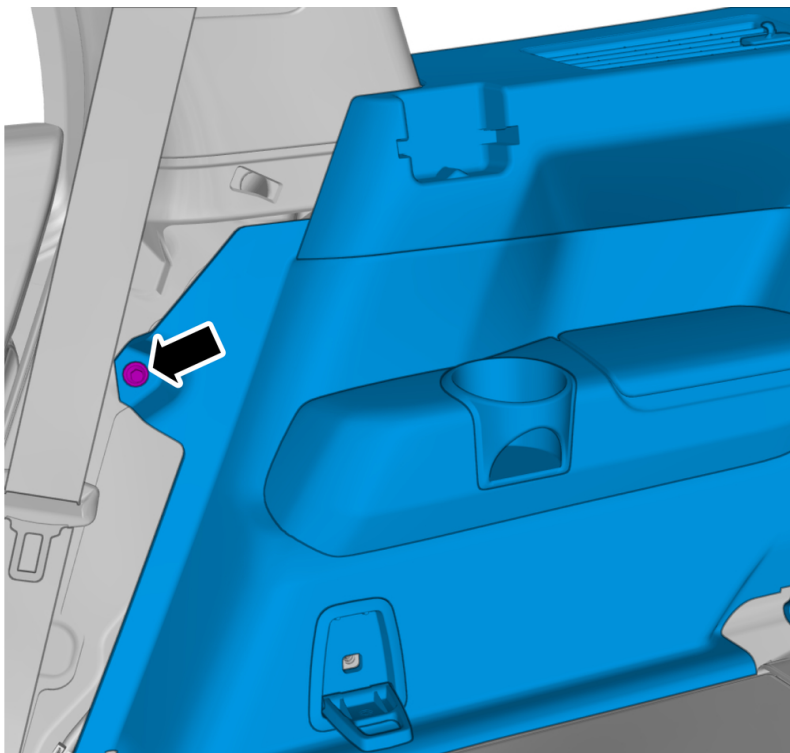
Torque:

Cargo anchor, to body , 13 Nm



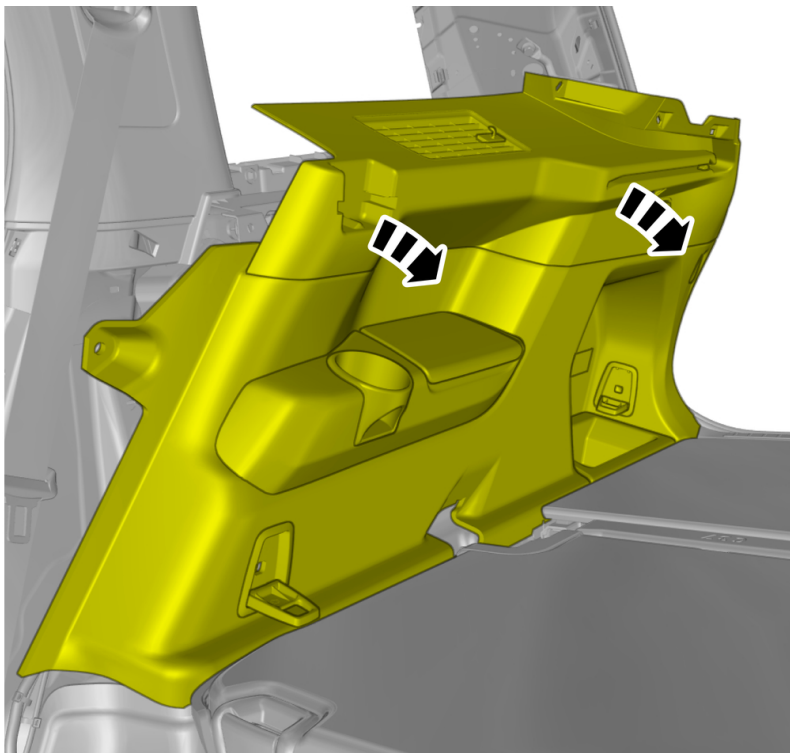
Right-hand side
Remove the panel.

Special Tool: T9814071, Interior trim remover



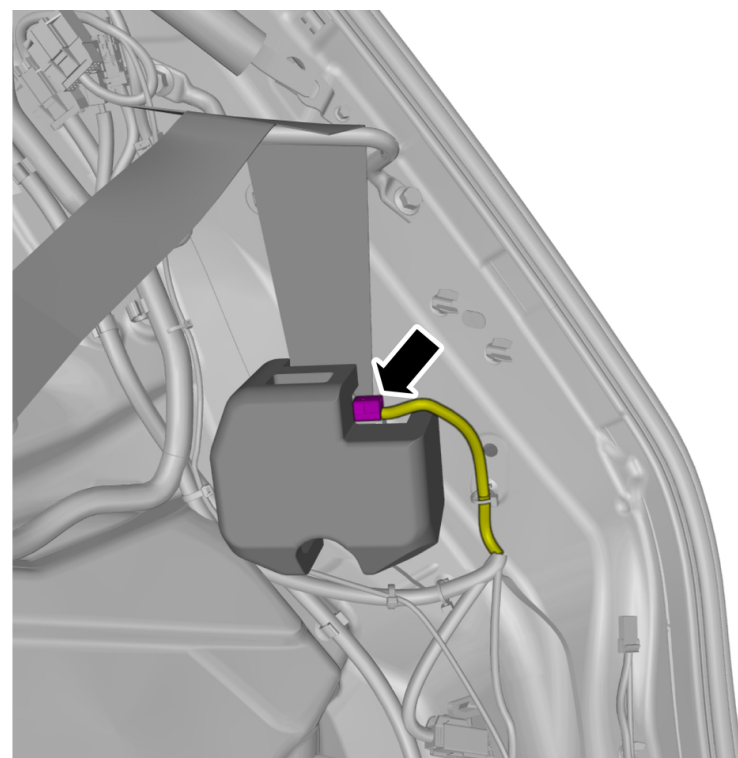
Right-hand side
Remove the screw.

Torque:
M5 , 5 Nm

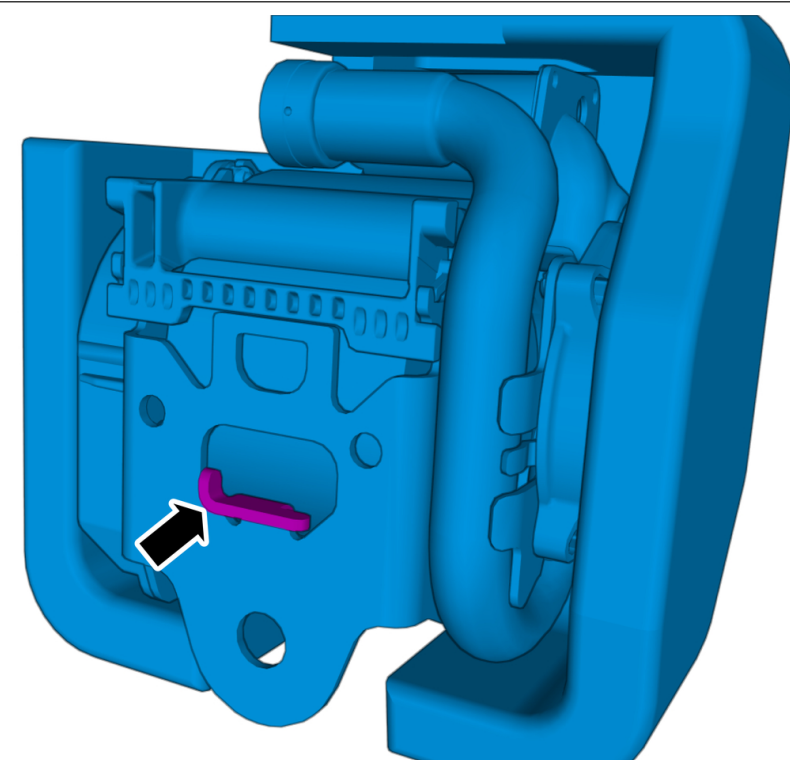


Right-hand side
Fold marked part to one side.

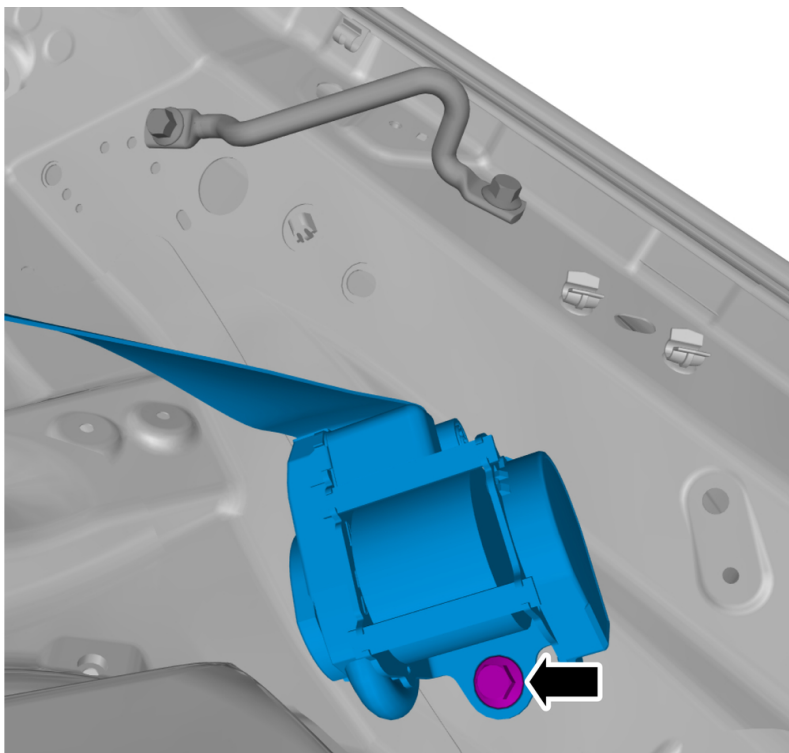
Disconnect connector ignition cable , refer to:
3 - Electrical system
37 - Cables and fuses
371 - cables



Right-hand side
Disconnect the connector.



Note! The graphic shows the back of the component before removal.



Right-hand side
Remove the screw.
Remove the marked part.

Torque:

Safety belt retractor rear to body , 40 Nm

Installation

To install, reverse the removal procedure.

Check that no diagnostic trouble codes (DTCs) are stored.