



Service Bulletin

PRELIMINARY INFORMATION

Subject: Warm Air Exhausting from Driver and/or Passenger Front Seat Back into 2nd Row Seating Area Causing Occupant Discomfort

Models: 2015-2017 Cadillac Escalade Models
2014 Chevrolet Silverado 1500
2015-2016 Chevrolet Silverado, Suburban, Tahoe
2014 GMC Sierra 1500
2015-2016 GMC Sierra, Yukon Models
Equipped with Heated and Cooled Seats - Driver and Passenger Front (RPO KB6)

Attention: This PI also applies to any of the above models that may be Export from North America vehicles.

This PI has been revised to add the 2016 and 2017 Model Years and update the procedure. Please discard PI1091A.

Condition/Concern

Some customers may comment on warm air exhausting from the driver/passenger front seat back into the 2nd row seating area, causing occupant discomfort.

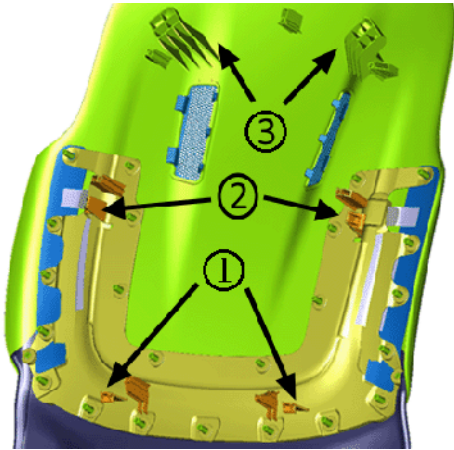


The cause of this condition may be that during cooled seat operation, a direct flow of warm air exhausts from the upper seat back ventilation heating/cooling blower thermal exchange blower unit.

Recommendation/Instructions



It has been found that removal of the exhaust duct (1) on the upper seat back ventilation blower allows for a less direct air exhaust and disperses the warm air more thoroughly within the seat back cushion. Remove the upper ventilation blower duct from BOTH the driver and passenger seats using the following steps:

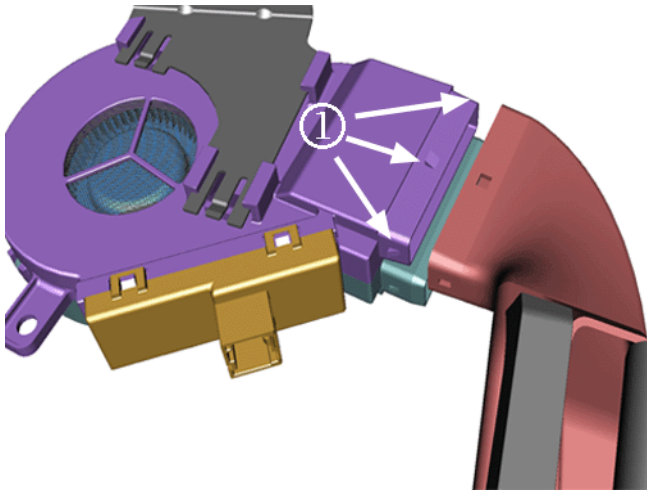


Caution: To help avoid damage to the seat back finish panel, after detaching the lower bungee clips, carefully reach behind the finish panel from the bottom to locate the flat of the lower retainer hooks (1). While pushing up on the flat of the hook, push inward on the panel in the area of the hook to release. Once the lower retainers are released, pull down on the back panel to disengage the upper rigid retainer hooks (3). Detach the side retainer hooks (2) by pushing inward and toward the center of the seat, one side at a time.

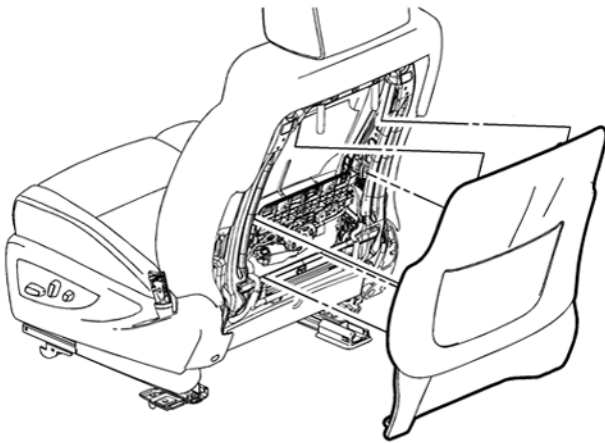
1. Starting on the driver or passenger front seat, remove the front seat back cushion finish panel. Refer to *Front Seat Back Cushion Finish Panel Replacement* in SI.



2. Locate the ventilation blower exhaust duct. Depending on the vehicle, the duct may look like either example shown in the graphic above.



- Grab and twist the ventilation duct to release the top and side retaining tabs (1), and remove the duct from the vehicle.



- Reinstall the front seat back cushion finish panel. Refer to *Front Seat Back Cushion Finish Panel Replacement* in SI.
- Repeat steps 1-4 on the opposite side.

Warranty Information

For vehicles repaired under warranty, use:

Labor Operation	Description	Labor Time
7080048*	Remove Driver and Passenger Front Seat Ventilation Blower Ducts	0.6 hr
*This is a unique Labor Operation for Bulletin use only.		

GM bulletins are intended for use by professional technicians, NOT a "do-it-yourselfer". They are written to inform these technicians of conditions that may occur on some vehicles, or to provide information that could assist in the proper service of a vehicle. Properly trained technicians have the equipment, tools, safety instructions, and know-how to do a job properly and safely. If a condition is described, DO NOT assume that the bulletin applies to your vehicle, or that your vehicle will have that condition. See your GM dealer for information on whether your vehicle may benefit from this information.



WE SUPPORT VOLUNTARY TECHNICIAN CERTIFICATION