



Service Bulletin

File in Section: -

Bulletin No.: 17-NA-217

Date: July, 2017

TECHNICAL

Subject: Squeal Noise Originating from Front Brakes During Brake Apply

Brand:	Model:	Model Year:		VIN:		Engine:	Transmission:
		from	to	from	to		
Cadillac	XT5	2017	2017			All	All
GMC	Acadia (VIN N)	2017	2017			All	All

Involved Region or Country	North America and N.A. Export Regions
Condition	Some customers may comment on a squeal noise from the front brakes during brake apply.
Correction	Apply a coat of paste between the shims of the front brake pads.

Parts Information

For additional information on Molykote M-77, contact www.dowcorning.com or call 1-989-496-4400.

Description	Material Allowance
Dow Corning Molykote M77 Solid Lubricant Paste	\$4.00 (\$6.00 in Canada)

Warranty Information

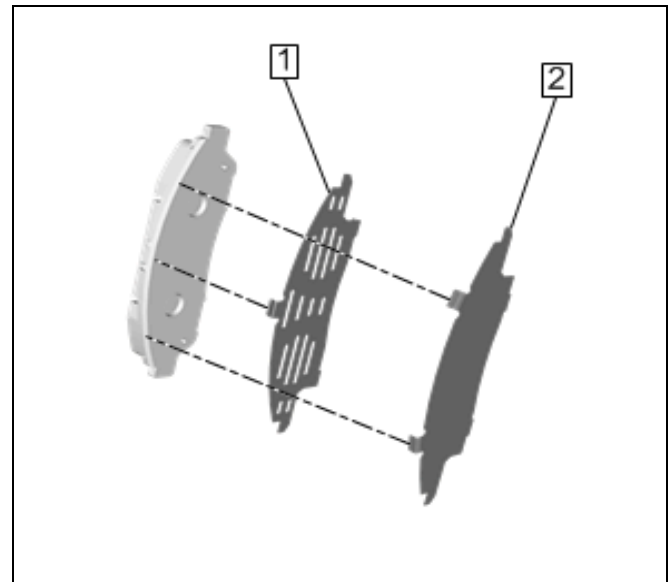
For vehicles repaired under warranty, use:

Labor Operation	Description	Labor Time
2480328*	Applying Lubricant to Shims of the Front Brake Pads	0.7 hr

*This is a unique Labor Operation for Bulletin use only.

Service Procedure

1. Remove both of the front disc brake pads. Refer to *Front Disc Brake Pads Replacement* in SI.



4261515

Legend

- (1) Inner Disc Brake Pad Shim
- (2) Outer Disc Brake Pad Shim

2. Apply 2 grams of lubricant grease between the shims of both the inboard and outboard pads of the front calipers.
3. Reinstall components and verify the condition is corrected.

Version	1
Modified	

GM bulletins are intended for use by professional technicians, NOT a "do-it-yourselfer". They are written to inform these technicians of conditions that may occur on some vehicles, or to provide information that could assist in the proper service of a vehicle. Properly trained technicians have the equipment, tools, safety instructions, and know-how to do a job properly and safely. If a condition is described, **DO NOT** assume that the bulletin applies to your vehicle, or that your vehicle will have that condition. See your GM dealer for information on whether your vehicle may benefit from the information.



WE SUPPORT VOLUNTARY
TECHNICIAN
CERTIFICATION