

SERVICE POLICY LETTER

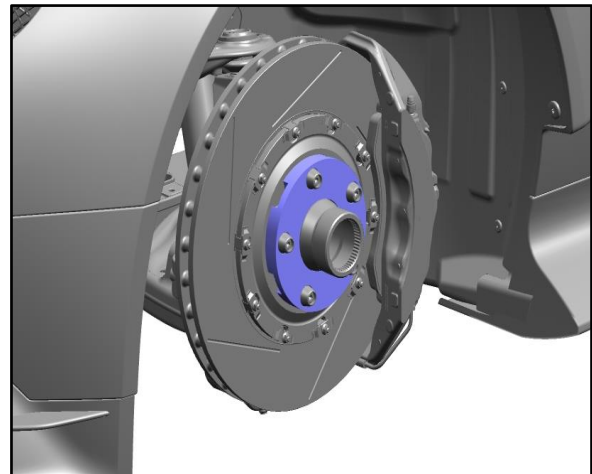
Reference number:	SPL-00-0605	Issued: 03 November, 2017
Subject:	Special Tool for Centre-Lock Hub Drive-Pegs	
Applicable to:	All GT8 and GT12 Dealers	
Distribute to:	After Sales Manager Executive Manager Service Manager Sales Manager	Warranty Staff Technician(s) Parts Staff

Dear Colleagues,

There is a new special service tool available to align the drive-pegs for the centre-lock wheel hub. Before you install the drive-pegs for the centre-lock wheel hub you will need to order the drive-peg alignment tool from Parts Operations.



Drive-Peg Alignment Tool



Drive-Peg Alignment Tool (in position)

You must use the drive-peg alignment tool when you remove or install the drive-pegs. This is to make sure that the drive-pegs are installed in the correct position. If the drive-pegs are not aligned correctly this can cause damage or accelerated wear on the drive-pegs.

Parts Data

Tool Part Number	Applicability	Description
43-28481	GT8 and GT12 With Centre-Lock Wheels	Drive-Peg Alignment Tool For Centre-Lock Wheels

If you have any questions about this Policy Letter, please speak to Client Services - Technical on Tel: +44 (0) 1926 644720.

Thank you for your continued support.

Yours faithfully



Phil Eaglesfield

Director, Client Services.