

**WH15 - Checking and Tightening Bleeder Screw for Front Axle Lift System (Workshop Campaign)**

**Important:** **CRITICAL WARNING** - This campaign includes steps where control unit(s) in the vehicle will be programmed with the PIWIS Tester. The vehicle voltage must be maintained between 13.5 volts and 14.5 volts during this programming. Failure to maintain this voltage could result in damaged control unit(s). Damage caused by inadequate voltage during programming is not a warrantable defect. The technician must verify the actual vehicle voltage in the PIWIS Tester before starting the campaign and also document the actual voltage on the repair order.

**Model Year:** As of 2016 up to 2017

**Model Line:** 911 R (991), 911 Carrera (991 Gen. II)

**Equipment:** Front axle lift system (I-no. 474)

**Subject:** Bleeder screw for front axle lift system

**Situation:** There is a possibility that the bleeder screw for the front axle lift system was not tightened to the prescribed tightening torque on the affected vehicles.

This can impair the function of the lift system. The error message "Error lift system" can then be displayed in the instrument cluster when the lift function is activated.

- Remedial Action:**
- Check the area around the bleeder screw for the front axle lift system for visible traces of hydraulic fluid and tighten bleeder screw.
  - Depending on the result of the check, fill the front axle lift system with hydraulic fluid or replace the compressor for the front axle lift system.

**Affected Vehicles:** Only the vehicles assigned to the campaign (see also PIWIS Vehicle information). This campaign affects 839 vehicles in North America.

**Required parts and materials**

**Materials:** No parts or materials are required for checking the bleeder screw for the front axle lift system (**Scope 1**).

Materials required if the **front axle lift system must be filled(Scope 2-3):**

Part No.	Designation – Use	Qty.
00004330550	⇒ Oil – Compressor for front axle lift system	As much as required (max. 160 ml required per vehicle)

**NOTE: PARTS WILL NOT BE AUTOMATICALLY ALLOCATED TO YOUR DEALERSHIP. ALL PARTS MUST BE ORDERED VIA A PTEC/PAV.**

Parts Info: **Additional parts required if the compressor for the front axle lift system must be replaced(Scope 4-5):**

Part No.	Designation - Use	Qty.
9P1412257C	⇒ Level adjustment pump	1 ea.
99907286901	⇒ Hexagon-head bolt - Strut	2 ea.
99951004601	⇒ Cheese head bolt - Strut	2 ea.
99907344301	⇒ Combination screw - Strut	2 ea.
99907509501	⇒ Combination screw - Strut	2 ea.

### Required tools

Tools: Tools required for **tightening the bleeder screw:**

- Torque wrench, 6 – 50 Nm (4.5 – 37 ftlb.), e.g. **V.A.G 1331 - Torque wrench, 6-50 Nm (4.5-37 ftlb.)**
- Shop light

Additional tools required if the **front axle lift system must be filled or if the compressor must be replaced:**

- Torque wrench, 1.5 – 3 Nm (1 - 2 ftlb.), e.g. **VAS 6494 - Torque screwdriver**
- Torque wrench, 6 – 50 Nm (4.5 – 37 ftlb.), e.g. **V.A.G 1331 - Torque wrench, 6-50 Nm (4.5-37 ftlb.)**
- **9900 - PIWIS Tester 3**
- Filling adapter for front axle lift system - Please order part # 9P1411813 if needed for filling adapter. This can then be re-used.\*

\* If part/tool is unavailable, please submit PTEC/STR to request tool rental. For any questions on tool rental, please contact Tool Technical Support Specialist - jeff.haller@porsche.us

**Checking area around the bleeder screw for front axle lift system for leaks and tightening bleeder screw**

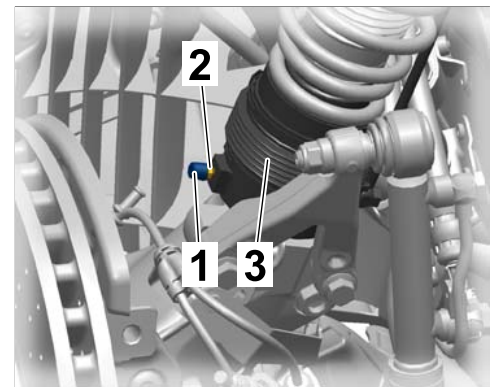


**Information**

The procedure for checking and tightening the bleeder screw for the front axle lift system, described here on the left-hand side of the vehicle as an example, must always be carried out on the **left and right-hand side of the vehicle**.

Work Procedure: 1 Raise the vehicle on a lifting platform ⇒ *Workshop Manual '4X00IN Lifting the vehicle'*.

- 2 Perform a visual inspection to see whether hydraulic fluid has leaked out at the bleeder screws ⇒ *Visual inspection of bleeder screw on actuator -2-* on both actuators ⇒ *Visual inspection of bleeder screw on actuator -3-* on the front spring strut.



*Visual inspection of bleeder screw on actuator*

**Result of check:**

- There are **traces of hydraulic fluid visible** at the bleeder screws or underneath the actuator: Hydraulic fluid has leaked out. The front axle lift system must be **filled**. To do this, continue with ⇒ **Step 3**.
- If **no hydraulic fluid has leaked out** at the bleeder screws, the front axle lift system **does not need to be filled**. Continue with ⇒ **Step 4**.

- 3 Drain and fill hydraulic fluid on the front axle lift system.

- 3.1 Deactivate front axle lift system using the switch in the vehicle (lower the vehicle).
- 3.2 Remove wheel ⇒ *Workshop Manual '440519 Removing and installing wheel'*.



**Information**

Before filling the lift system, make sure that the bleeder screws on both actuators are tightened to the prescribed tightening torque of **7 Nm (5 ftlb.)**.

- 3.3 Drain and fill hydraulic fluid for lift system ⇒ *Workshop Manual '430117 Draining and filling hydraulic fluid for front axle lift system'*.
- 3.4 Carry out a function test on the lift system using the switch in the vehicle.
  - If the front axle **cannot be lifted or lowered**, the **compressor must be replaced**. For instructions, see ⇒ *Workshop Manual '431519 Removing and installing compressor for front axle lift system'*.
  - If the front axle **can be lifted and lowered**, the **function test is OK**. Then continue with ⇒ **Step 3.5**.

3.5 Fit wheel ⇒ *Workshop Manual '440519 Removing and installing wheel'*.

Then continue with ⇒ **Step 5**.

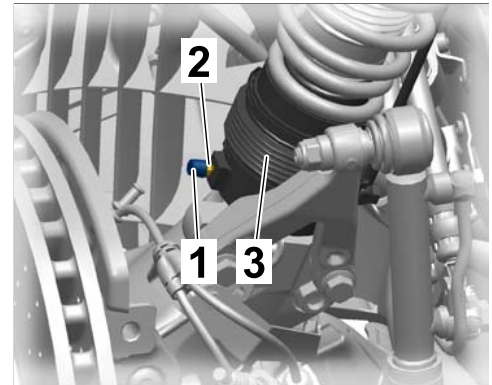
4 Tighten bleeder screws for front axle lift system in the front wheel housing.

4.1 Turn the steering fully to the left/right.

4.2 Pull off protection cap ⇒ *Tightening bleeder screw on actuator -1-* on the bleeder screw ⇒ *Tightening bleeder screw on actuator -2-*.

4.3 Tighten bleeder screw on the actuator ⇒ *Tightening bleeder screw on actuator -3-* using a torque wrench and socket insert a/f 12. **Tightening torque 7 Nm (5 ftlb.)**

4.4 Fit protection cap ⇒ *Tightening bleeder screw on actuator -1-* on the bleeder screw ⇒ *Tightening bleeder screw on actuator -2-* again.



*Tightening bleeder screw on actuator*

5 Remove the vehicle from the lifting platform.

6 Enter the campaign in the Warranty and Maintenance booklet.

## Warranty processing

Scope 1: **Checking bleeder screw** for front axle lift system for leaks and **tightening bleeder screw**.

### Working time:

Checking bleeder screw for front axle lift system for leaks and tightening bleeder screw.

Labor time: **19 TU**

Includes: Raising and lowering the vehicle

⇒ **Damage Code WH15 066 000 1**

Scope 2: **Checking bleeder screw** for front axle lift system for leaks and **tightening bleeder screw**.  
Also **filling hydraulic fluid**.

- Vehicles **without central wheel lock**

<b>Working time:</b>	
Checking bleeder screw for front axle lift system for leaks and tightening bleeder screw, also filling hydraulic fluid.	Labor time: <b>71 TU</b>
Includes:	Raising and lowering the vehicle Removing and installing wheel Bleeding the front axle lift system
<b>Required materials:</b>	
00004330550	Oil 0.8 ea. (= approx. 160 ml)
⇒ <b>Damage Code WH15 066 000 1</b>	

Scope 3: **Checking bleeder screw** for front axle lift system for leaks and **tightening bleeder screw**.  
Also **filling hydraulic fluid**.

- Vehicles **with central wheel lock**

<b>Working time:</b>	
Checking bleeder screw for front axle lift system for leaks and tightening bleeder screw, also filling hydraulic fluid.	Labor time: <b>89 TU</b>
Includes:	Raising and lowering the vehicle Removing and installing wheel with central lock Bleeding the front axle lift system
<b>Required materials:</b>	
00004330550	Oil 0.8 ea. (= approx. 160 ml)
⇒ <b>Damage Code WH15 066 000 1</b>	

Scope 4: **Checking bleeder screw** for front axle lift system for leaks and **tightening bleeder screw**.  
Also **replacing compressor for front axle lift system**.

- Vehicles **without central wheel lock**

**Working time:**

Checking bleeder screw for front axle lift system for leaks and tightening bleeder screw, also replacing compressor for front axle lift system.

Labor time: **266 TU**

Includes:

- Raising and lowering the vehicle
- Removing and installing wheel
- Removing and installing cover for front underbody
- Removing and installing cover for center underbody
- Removing and installing cover for rear underbody
- Removing and installing strut
- Removing and installing front-axle support
- Draining and filling hydraulic fluid for front axle lift system
- Bleeding the front axle lift system

**Parts required:**

9P1412257C	Level adjustment pump	1 ea.
99907286901	Hexagon-head bolt	2 ea.
99951004601	Cheese head bolt	2 ea.
99907344301	Combination screw	2 ea.
99907509501	Combination screw	2 ea.

**Required materials:**

00004330550	Oil	0.8 ea. (= approx. 160 ml)
-------------	-----	-------------------------------

⇒ Damage Code WH15 066 000 2

Scope 5: **Checking bleeder screw** for front axle lift system for leaks and **tightening bleeder screw**.  
Also **replacing compressor for front axle lift system**.

- Vehicles **with central wheel lock**

**Working time:**

Checking bleeder screw for front axle lift system for leaks and tightening bleeder screw, also replacing compressor for front axle lift system.

Labor time: **285 TU**

- Includes:
- Raising and lowering the vehicle
  - Removing and installing wheel with central lock
  - Removing and installing cover for front underbody
  - Removing and installing cover for center underbody
  - Removing and installing cover for rear underbody
  - Removing and installing strut
  - Removing and installing front-axle support
  - Draining and filling hydraulic fluid for front axle lift system
  - Bleeding the front axle lift system

**Parts required:**

9P1412257C	Level adjustment pump	1 ea.
99907286901	Hexagon-head bolt	2 ea.
99951004601	Cheese head bolt	2 ea.
99907344301	Combination screw	2 ea.
99907509501	Combination screw	2 ea.

**Required materials:**

00004330550	Oil	0.8 ea. (= approx. 160 ml)
-------------	-----	-------------------------------

⇒ **Damage Code WH15 066 000 2**

**Important Notice:** Technical Bulletins issued by Porsche Cars North America, Inc. are intended only for use by professional automotive technicians who have attended Porsche service training courses. They are written to inform those technicians of conditions that may occur on some Porsche vehicles, or to provide information that could assist in the proper servicing of a vehicle. Porsche special tools may be necessary in order to perform certain operations identified in these bulletins. Use of tools and procedures other than those Porsche recommends in these bulletins may be detrimental to the safe operation of your vehicle, and may endanger the people working on it. Properly trained Porsche technicians have the equipment, tools, safety instructions, and know-how to do the job properly and safely. If a particular condition is described, do not assume that the bulletin applies to your vehicle, or that your vehicle will have that condition. See your authorized Porsche Dealer for the latest information about whether a particular technical bulletin applies to your vehicle. Part numbers listed in these bulletins are for reference only. Always check with your authorized Porsche dealer to verify the current and correct part numbers. The work procedures updated electronically in the Porsche PIWIS diagnostic and testing device take precedence and, in the event of a discrepancy, the work procedures in the PIWIS Tester are the ones that must be followed.

© Porsche Cars North America, Inc.

Dr. Ing. h.c. F. Porsche AG is the owner of numerous trademarks, both registered and unregistered, including without limitation the Porsche Crest®, Porsche®, Boxster®, Carrera®, Cayenne®, Cayman®, Macan®, Panamera®, Speedster®, Spyder®, Tiptronic®, VarioCam®, PCM®, PDK®, 911®, RS®, 4S®, 718®, 918 Spyder®, FOUR UNCOMPROMISED®, and the model numbers and distinctive shapes of the Porsche automobiles such as, the federally registered 911 and Boxster automobiles. The third party trademarks contained herein are the properties of their respective owners. Porsche Cars North America, Inc. believes the specifications to be correct at the time of printing. However, specifications, standard equipment and options are subject to change without notice. Some options may be unavailable when a car is built. Some vehicles may be shown with non-U.S. equipment. Please ask your authorized Porsche dealer for advice concerning the current availability of options and verify the optional equipment that you ordered. Porsche recommends seat belt usage and observance of traffic laws at all times.

Printed in the USA