

November 10, 2017

07659 Version 1

Product Update: 2018 Odyssey Rear Power Window Switches

AFFECTED VEHICLES

Year	Model	Trim	VIN Range
2018	Odyssey	ALL except LX	Check the iN VIN status for eligibility

BACKGROUND

Under certain conditions, the rear window switch internal software enters an unstable condition and cannot recover, making the window switch inoperable.

CUSTOMER NOTIFICATION

Owners of affected vehicles will be sent a notification of this campaign.

Do an iN VIN status inquiry to make sure the vehicle is shown as eligible.

Some vehicles affected by this campaign may be in your new or used vehicle inventory. Repair these vehicles before they are sold.

CORRECTIVE ACTION

Replace both the left rear and right rear power window switches located on the power sliding doors.

PARTS INFORMATION

Part Name	Part Number	Quantity
Right Rear Power Window Switch Assembly	35770-THR-A11	1
Left Rear Power Window Switch Assembly	35780-THR-A11	1

WARRANTY CLAIM INFORMATION

Operation Number	Description	Flat Rate Time	Defect Code	Symptom Code	Template ID	Failed Part Number
7441D5	Replace both right rear and left rear power window switches.	0.6 hrs	6PW00	U0D00	A17090A	35780-THR-A11

Skill Level: Repair Technician

CUSTOMER INFORMATION: The information in this bulletin is intended for use only by skilled technicians who have the proper tools, equipment, and training to correctly and safely maintain your vehicle. These procedures should not be attempted by "do-it-yourselfers," and you should not assume this bulletin applies to your vehicle, or that your vehicle has the condition described. To determine whether this information applies, contact an authorized Honda automobile dealer.

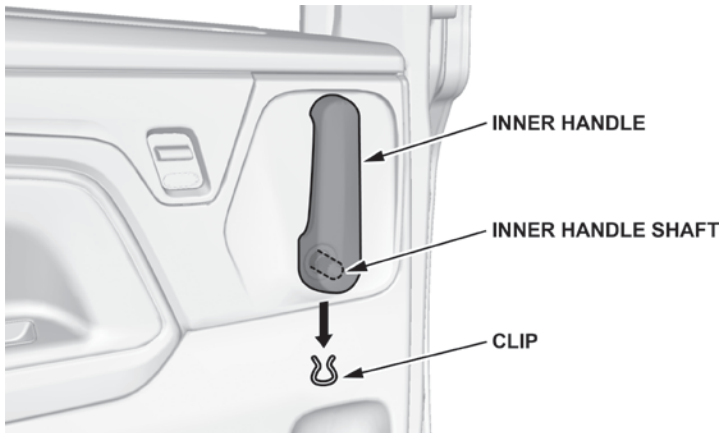
REPAIR PROCEDURE

NOTE: The repair procedure illustrations shows the left rear power window switch removal and replacement, the right rear power window switch removal and replacement will mirror these illustrations.

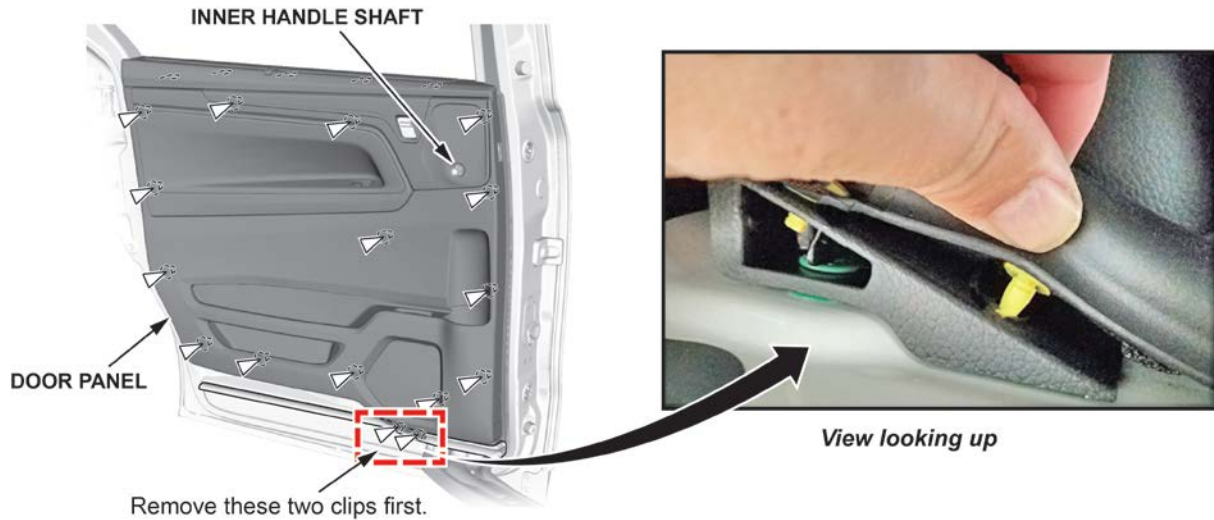
1. Turn the power sliding door power off by sliding the switch.



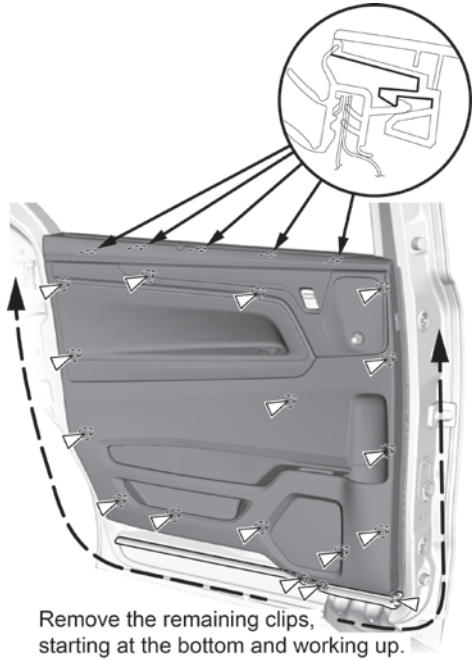
2. Use a wire hook to pull the clip off of the inner handle shaft, and remove the inner handle.



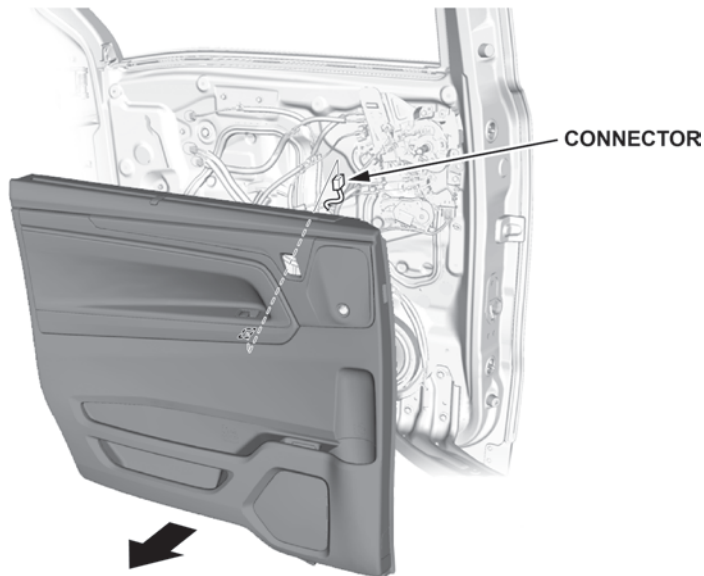
3. Remove the two clips at the bottom of the door liner first to release the lower door seal from the door liner. This is to prevent pulling the door seal off of the door as the door liner is lifted and removed.



4. Start at the bottom edge of the door panel and remove the remaining clips with a commercially available trim pad remover.



5. Starting at the rear, pull the door panel upward making sure clips from step 2 are free and not pulling on the lower door seal. Pull the door panel away from the inner handle shaft, and lift it.
6. While holding the sliding door panel away from the door, disconnect the connector. Then remove the door panel.

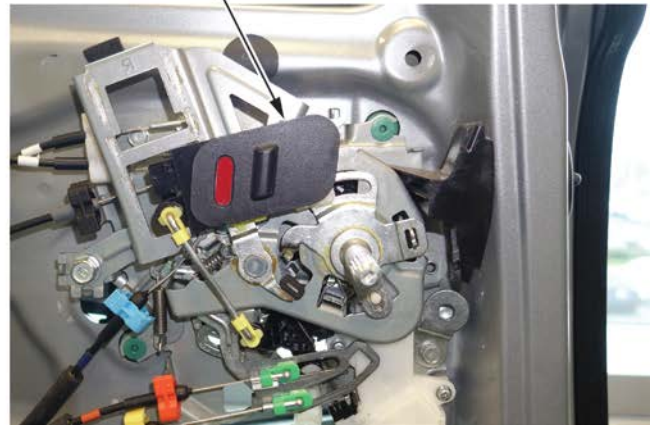


7. Make sure the door inner lock slider properly engages the bracket. If it is disengaged, disconnect the rod from the slider, reinstall the slider, then reconnect the rod.

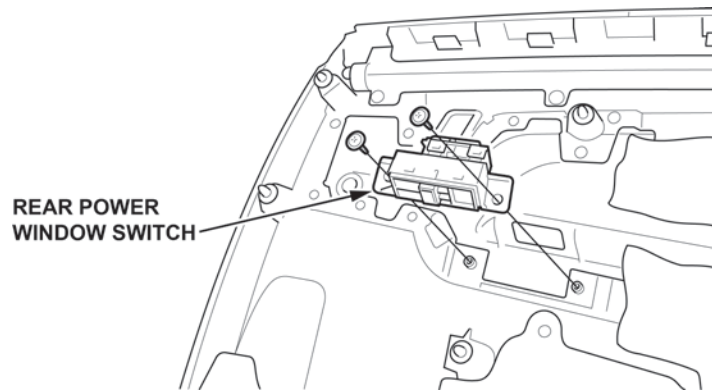
Door lock slider in proper position.



Door lock slider is disengaged.



8. Remove the two screws securing the switch to the door liner and install a new switch.



9. Install the door liner in the reverse order of removal, and make sure of the following:

- Reconnect the door switch wire harness.
- Make sure all clips on both the door liner and lower door seal are set.

10. Repeat steps 2 thru 9 for the right rear window switch.

11. Turn the power sliding door power ON by sliding the switch.



12. To reset the power window control unit, turn the vehicle ON.

13. Move the power window all the way down using the power window down switch.

14. Move the power window all the way up using the power window up switch and hold the switch for at least 1 second.

15. Make sure each rear windows' auto up/down function works correctly using the respective rear window switch.
16. Make sure each rear windows' auto up/down function work correctly using the driver's power window master switch.

END