

JTB00591NAS1

TECHNICAL BULLETIN

13 OCT 2017



© Jaguar Land Rover North America, LLC

NOTE: The information in Technical Bulletins is intended for use by trained, professional Technicians with the knowledge, tools, and equipment required to do the job properly and safely. It informs these Technicians of conditions that may occur on some vehicles, or provides information that could assist in proper vehicle service. The procedures should not be performed by 'do-it-yourselfers'. If you are not a Retailer, do not assume that a condition described affects your vehicle. Contact an authorized Jaguar service facility to determine whether this bulletin applies to a specific vehicle.

INFORMATION**SECTION:**

501-10: Seating

SUBJECT/CONCERN:

Front Seat Bolster Wear - Light Oyster Leather Only

AFFECTED VEHICLE RANGE:

MODEL:	MODEL YEAR:	VIN:	ASSEMBLY PLANT:
F-PACE (X761)	2017	045068-099996	Solihull

MODEL:	MODEL YEAR:	VIN:	ASSEMBLY PLANT:
F-PACE (X761)	2017	488002-499998	Solihull
F-PACE (X761)	2017-2018	880002-899997	Solihull
F-PACE (X761)	2018 Onwards	240000 Onwards	Solihull
XE (X760)	2017	921222-979442	Solihull
XE (X760)	2017 Onwards	P10168 Onwards	Castle Bromwich
XF (X260)	2016 Onwards	Y00461 Onwards	Castle Bromwich

MARKETS:

NORTH AMERICA

CONDITION SUMMARY:

SITUATION:

The front seat backrest cover and/or seat cushion cover may exhibit premature cosmetic wear. This affects only vehicles with Light Oyster color seat trim.

CAUSE:

This may be caused by poor durability of the leather coating.

ACTION:

Should a customer express concern, follow the Workshop Procedure below.

PARTS:

PART NUMBER	DESCRIPTION	QUANTITY:
T2H5891	Hog ring	90
T2H37048LKP	Windsor Perforated - Light Oyster - Left-side - Hybrid Backrest Cover - Climate	1

PART NUMBER	DESCRIPTION	QUANTITY:
T2H37049LKP	Windsor Perforated - Light Oyster - Right-side - Hybrid Backrest Cover - Climate	1
T2H37050LKP	Windsor Perforated - Light Oyster - Left-side - Hybrid Backrest Cover - Non-Climate	1
T2H37051LKP	Windsor Perforated - Light Oyster - Right-side - Hybrid Backrest Cover - Non-Climate	1
T2H37052LKP	Windsor Perforated - Light Oyster - Left-side - Hybrid Cushion Cover - Climate	1
T2H37053LKP	Windsor Perforated - Light Oyster - Right-side - Hybrid Cushion Cover - Climate	1
T2H37054LKP	Windsor Perforated - Light Oyster - Left-side - Hybrid Cushion Cover - Non-Climate	1
T2H37055LKP	Windsor Perforated - Light Oyster - Right-side - Hybrid Cushion Cover - Non-Climate	1
T2H37056LKP	Windsor Perforated - Light Oyster - Left-side Backrest - Hybrid Cover - Climate - Cushion Extension	1
T2H37057LKP	Windsor Perforated - Light Oyster - Right-side Backrest - Hybrid Cover - Climate - Cushion Extension	1
T2H37058LKP	Windsor Perforated - Light Oyster - Left-side Backrest - Hybrid Cover - Non-Climate - Cushion Extension	1
T2H37059LKP	Windsor Perforated - Light Oyster - Right-side Backrest - Hybrid Cover - Non-Climate - Cushion Extension	1
T4A29165LKP	Houndstooth - Light Oyster - Left-side - Hybrid Backrest Cover	1
T4A29166LKP	Houndstooth - Light Oyster - Right-side - Hybrid Backrest Cover	1
T4A29167LKP	Houndstooth - Light Oyster - Left-side - Hybrid Cushion Cover	1
T4A29168LKP	Houndstooth - Light Oyster - Right-side - Hybrid Cushion Cover	1

TOOLS:

Refer to Workshop Manual for any required special tools.

WARRANTY:**NOTES:**

- Repair procedures are under constant review, and therefore times are subject to change; those quoted here must be taken as guidance only. Always refer to TOPIx to obtain the latest repair time.
- The JLR Claims Submission System requires the use of causal part numbers. Labor only claims must show the causal part number with a quantity of zero

DESCRIPTION	SRO	TIME (HOURS)	CONDITION CODE	CAUSAL PART
Front seat backrest cover - Renew - Pair	76.70.15	1.2	30	T2H16224PVJ
Front seat cushion cover - Renew - Pair	76.70.33	0.9	30	T2H16224PVJ

NOTE:

Normal Warranty procedures apply.

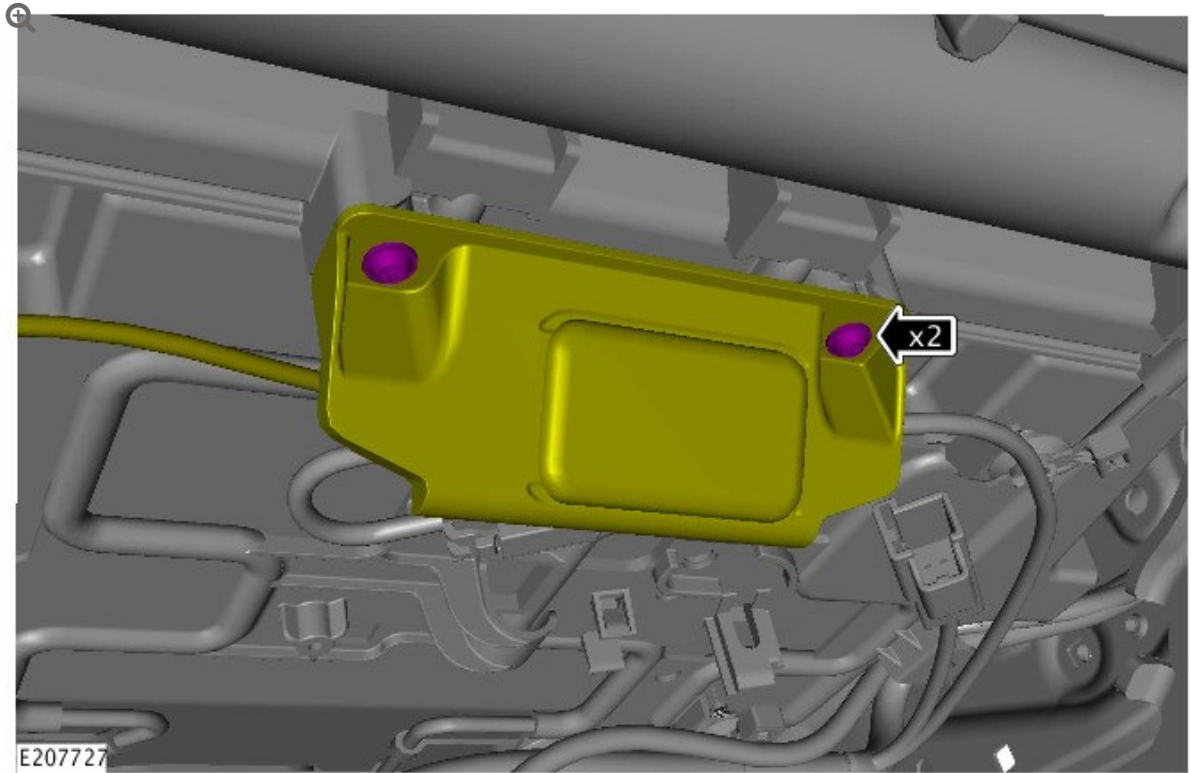
WORKSHOP PROCEDURE:

- 1 Remove the front left and right seats (see TOPIx Workshop Manual section 501-10: Removal and Installation - Front Row Seat).

2

NOTES:

- If installed.
- Repeat this step on both front left and right seats.



Release the under seat light.

3

NOTE:

Repeat this step on both front left and right seats.

Renew the front seat cushion (see TOPIx Workshop Manual section 501-10: Removal and Installation - Front Row Seat Cushion Cover).

4

NOTE:

Repeat this step on both front left and right seats.

Renew the front seat backrest cover (see TOPIx Workshop Manual section 501-10: Removal and Installation - Front Row Seat Backrest).

-
- ⇒ Install the front left and right seats (see TOPIx Workshop Manual section 501-10: Front Row Seat).