

**Front End Inner Structural Parts Differences**

Attention: **Service Managers/Service Technicians**

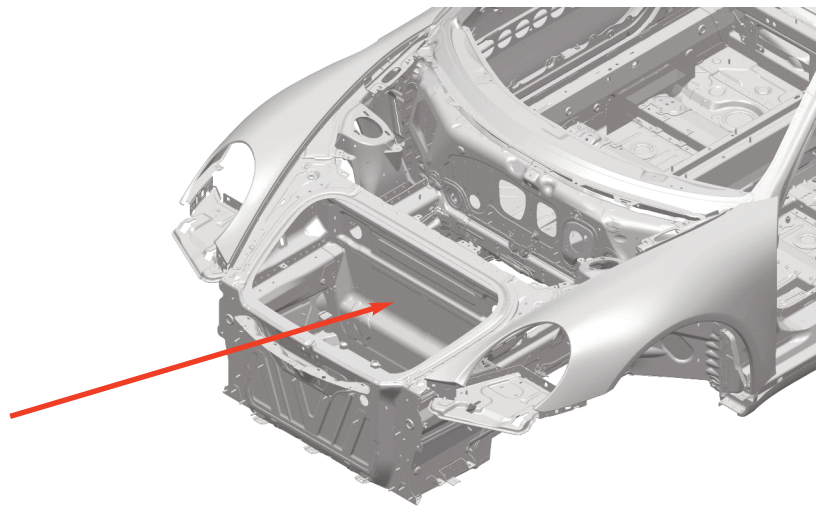
Vehicle Type: **911 (991), 718 Boxster/Cayman (982)**

Model Year: All

Information: 911 and 718 models have differences in the front end structure which depend on whether the vehicle has a two wheel drive or an all wheel drive body shell.

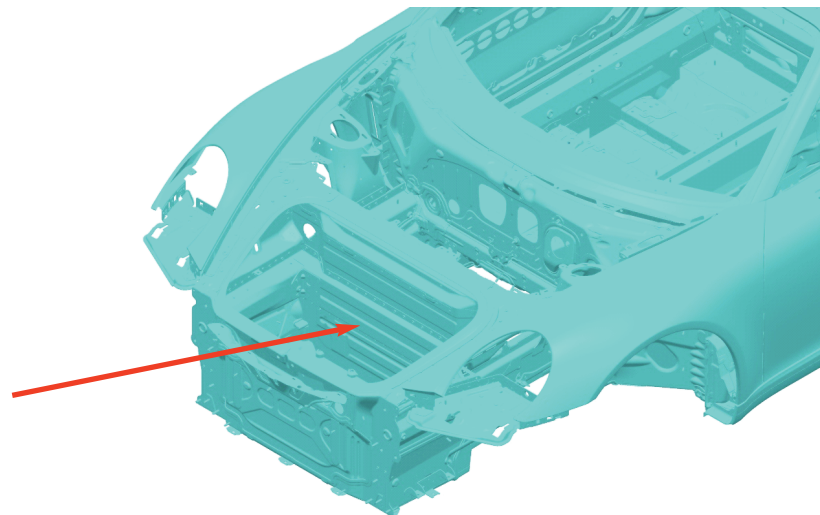
Two wheel drive

Luggage compartment wall



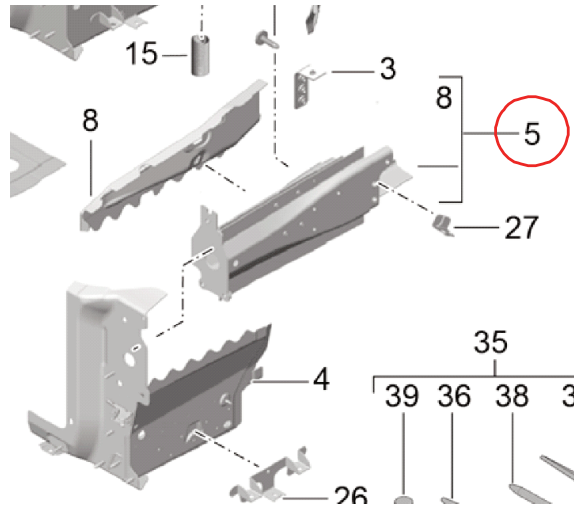
All wheel drive

Luggage compartment wall

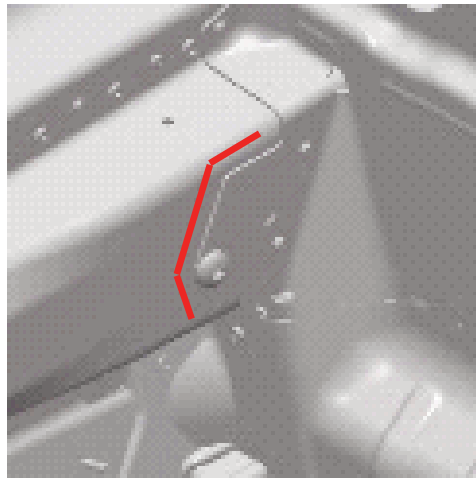


Information  
(cont'd):

The “front side member section” spare part (#5 in the parts illustration) may be provided in two different versions. You can identify the version by the cut on the spare part matching the rear wall extension (as shown by red outline)



Two wheel drive



Notice the shape of the profile in red, and the single layer of the rear wall extension

All wheel drive



Notice the shape of the profile in red, and the double layer rear wall extension with self piercing rivets

Information  
(cont'd):

**Important Notes**

**Front side member section:**

- The all wheel drive version works on all models
- The two wheel drive version works only on the two wheel drive models.

**Luggage compartment:**

- If you are using the luggage compartment from the all wheel drive model, it has to be matched to the front side member section of an all wheel drive model (you will need to order a new luggage compartment liner if the vehicle is a two wheel drive model)
- In the case of previous repairs, the replacement parts must match the parts used in the previous repair.

Dealership	Service Manager	_____	Shop Foreman	_____	Service Technician	_____	_____	_____	_____
Distribution	Asst. Manager	_____	Warranty Admin.	_____	Service Technician	_____	_____	_____	_____
Routing									

Dr. Ing. h.c. F. Porsche AG is the owner of numerous trademarks, both registered and unregistered, including without limitation the Porsche Crest®, Porsche®, Boxster®, Carrera®, Cayenne®, Cayman®, Macan®, Panamera®, Speedster®, Spyder®, Tiptronic®, VarioCam®, PCM®, PDK®, 911®, RS®, 4S®, 718®, 918 Spyder®, FOUR UNCOMPROMISED®, and the model numbers and distinctive shapes of the Porsche automobiles such as, the federally registered 911 and Boxster automobiles. The third party trademarks contained herein are the properties of their respective owners. Porsche Cars North America, Inc. believes the specifications to be correct at the time of printing. However, specifications, standard equipment and options are subject to change without notice. Some options may be unavailable when a car is built. Some vehicles may be shown with non-U.S. equipment. Please ask your authorized Porsche dealer for advice concerning the current availability of options and verify the optional equipment that you ordered. Porsche recommends seat belt usage and observance of traffic laws at all times.