



SERVICE BULLETIN

Classification: RS17-034	Reference: NTB17-043	Date: April 19, 2017
------------------------------------	--------------------------------	--------------------------------

2017 ROGUE; DRIVER AIR BAG MODULE REMOVAL

APPLIED VEHICLES: 2017 Rogue (T32)
2017 Rogue Hybrid (T32)

SERVICE INFORMATION

Use the Service Procedure in this bulletin when removing the Driver Air Bag Module.

As of the date of this bulletin, the procedure in this bulletin is different from the one in the Electronic Service Manual (ESM).

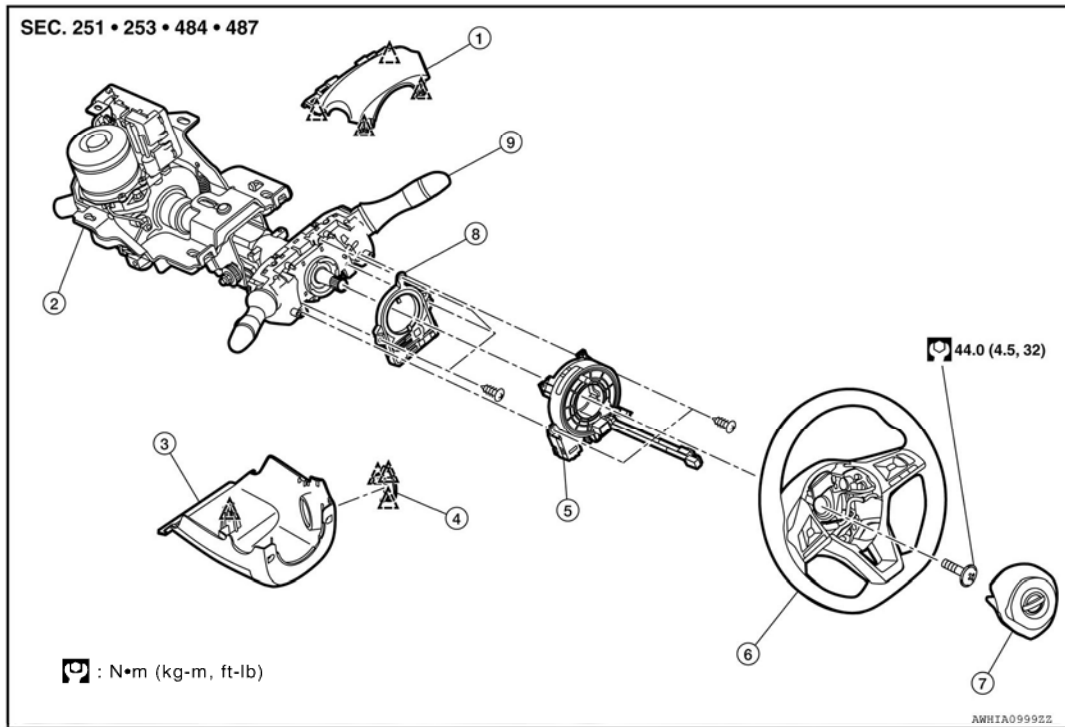
The ESM will be updated at a later date.

Nissan Bulletins are intended for use by qualified technicians, not 'do-it-yourselfers'. Qualified technicians are properly trained individuals who have the equipment, tools, safety instruction, and know-how to do a job properly and safely. **NOTE:** If you believe that a described condition may apply to a particular vehicle, DO NOT assume that it does. See your Nissan dealer to determine if this applies to your vehicle.

SERVICE PROCEDURE

DRIVER AIR BAG MODULE

Exploded View



- | | | |
|-------------------------------------|--------------------------|--------------------------------|
| 1. Steering column upper cover | 2. Steering column | 3. Steering column lower cover |
| 4. Steering column cover escutcheon | 5. Spiral cable | 6. Steering wheel |
| 7. Driver air bag module | 8. Steering angle sensor | 9. Combination switch |
- △ Clip

Removal and Installation

WARNING:

- Before servicing the SRS, turn ignition switch OFF, disconnect both battery terminals then wait at least three minutes.
- Always work from the side of driver air bag module. Do not work in front of it.
- Do not use the air tools or electric tools for servicing.
- Always place air bag module with pad side facing upward.
- Do not cause impact to the air bag module by dropping etc. Replace the air bag module if it has been dropped or sustained an impact.
- Do not allow oil, grease, detergent or water to come in contact with the driver air bag module.

REMOVAL

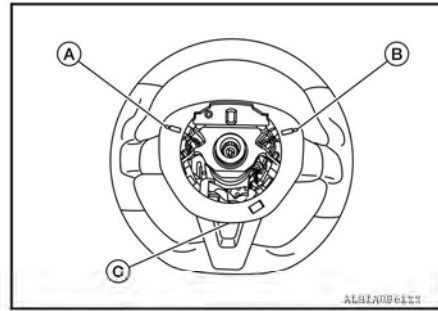
1. Disconnect the battery negative terminal and positive terminal, than wait at least three minutes.

2. Locate the access holes.

NOTE:

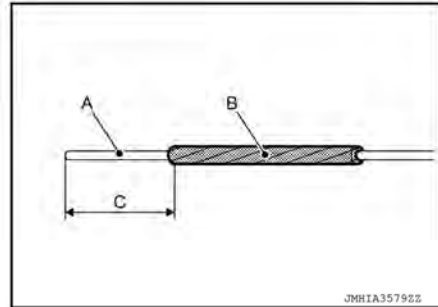
Steering wheel removed for clarity.

- (A) : Right side access hole
- (B) : Left side access hole
- (C) : Bottom access hole

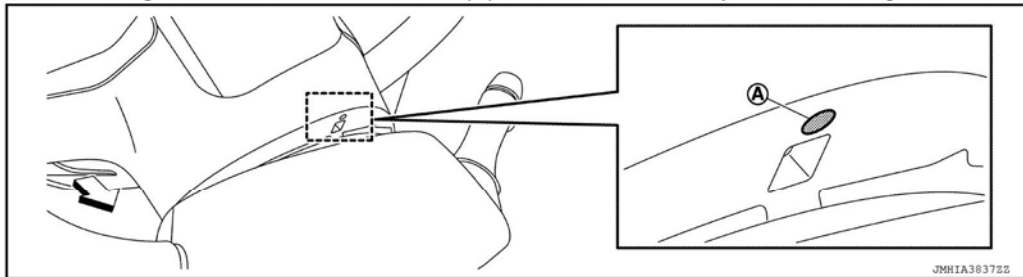


3. Wrap tape (B) around suitable tool (A) 2 mm (0.08 in) thick.

(C) : 40 mm (1.57 in)

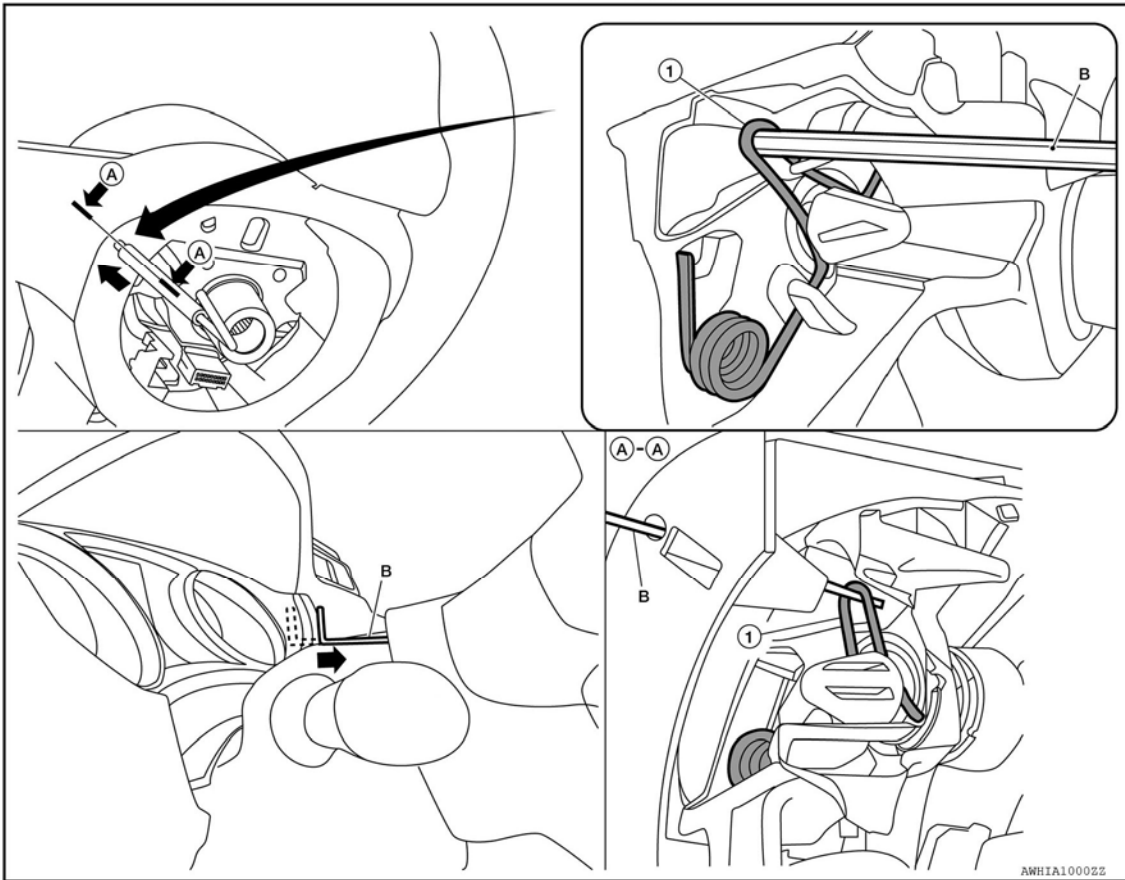


4. Turn the steering wheel until the access hole (A) is visible from the top of the steering column.

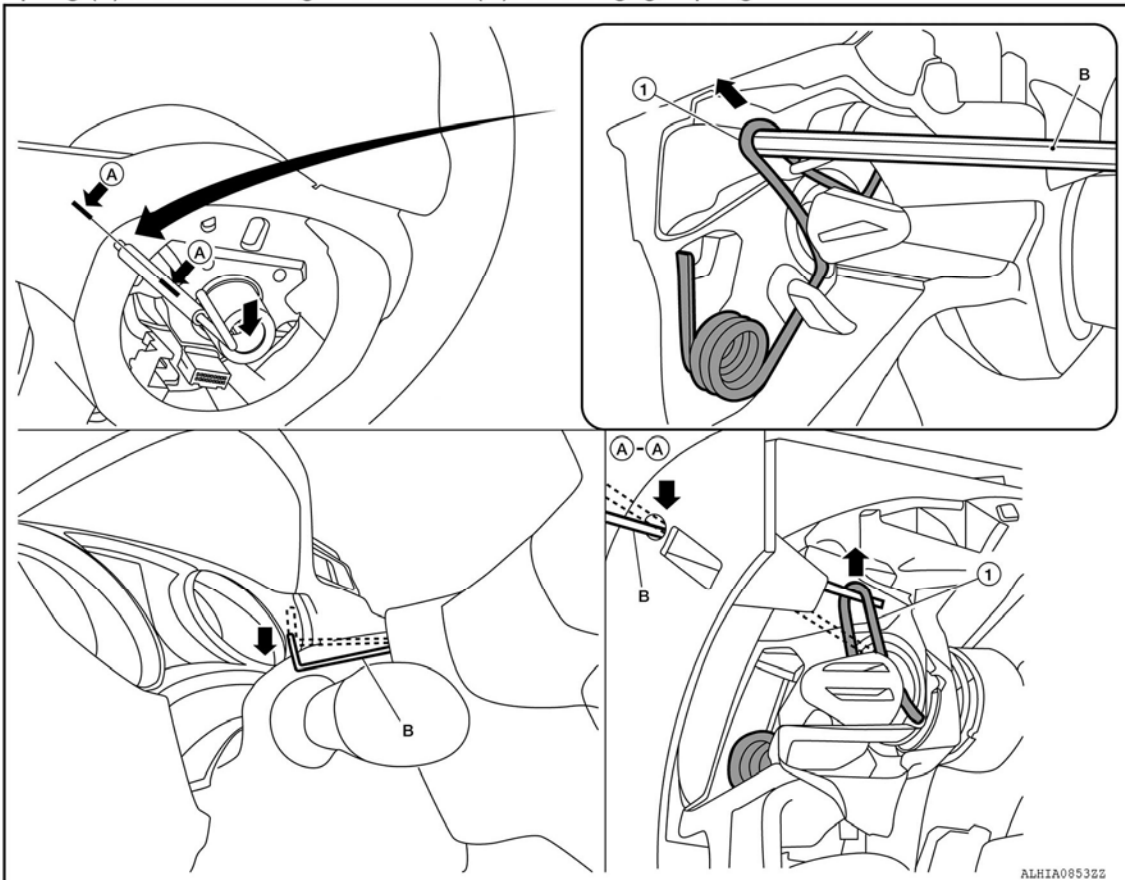


⇨ : Front

5. Insert suitable tool (B) into access hole and under spring (1) as shown.



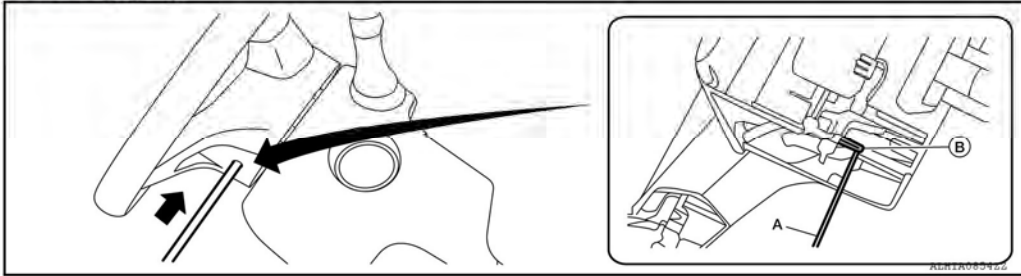
6. Lift spring (1) as shown using suitable tool (B) to disengage spring.



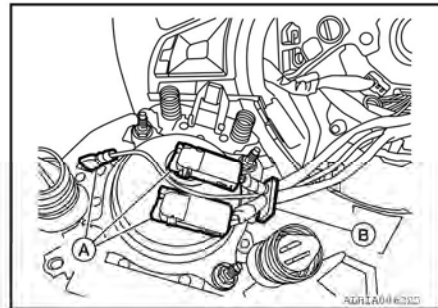
7. Use steps 3 - 5 to release the spring on the opposite side.
8. Using suitable tool (A) gently push bottom pawl (B) and gently tilt the bottom of the driver air bag module outward so the pawl will not re-engage.

CAUTION:

To avoid possible damage to the driver air bag module bottom pawl, do not use excessive force while disengaging.

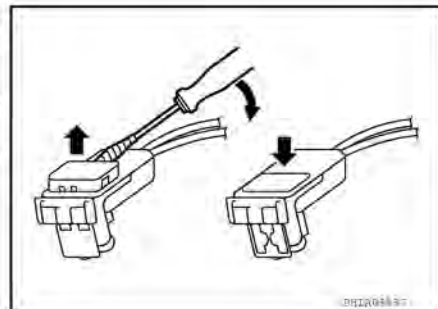


9. Disconnect the harness connectors (A) from the driver air bag module. Remove harnesses from the hook (B).



CAUTION:

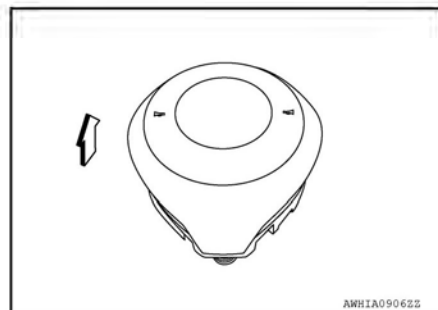
- For installing/removing the driver air bag module harness connector, insert thin screwdriver wrapped in tape into notch, lift lock and remove the connector.
- To install the connector, make sure the connector is fully inserted/Installed into the inflator with the connector lock raised (unlocked). Then push the lock into the connector.
- After installing the connector, check that the lock is pushed securely into it.



10. Remove the driver air bag module.

CAUTION:

- Always place the driver air bag module with pad side facing upward.
- ↕: Upward



- Do not strike or impact the driver air bag module.
- Replace the driver air bag module if it has been dropped or sustained an impact.



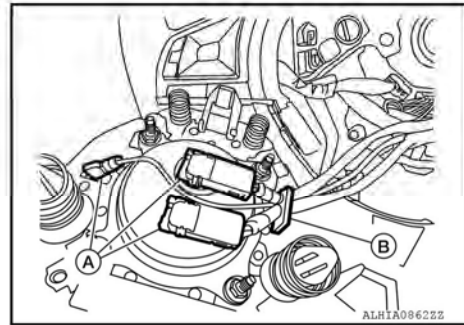
- Do not insert any foreign objects (screwdriver, etc.) into the driver air bag module.
- Do not disassemble the driver air bag module.
- Do not expose the driver air bag module to temperatures exceeding 93°C (199°F).
- Do not allow oil, grease, detergent, or water to come in contact with the driver air bag module.

INSTALLATION

Installation is in the reverse order of removal.

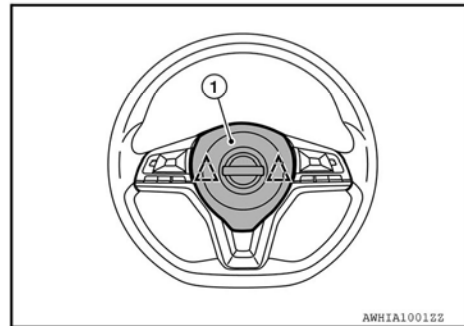
CAUTION:

- Always connect the driver air bag module harnesses (A) and route through the hook (B) as shown.



- Press driver air bag module (1) until it snaps into place with a clicking sound.

 : Clip



- If driver air bag module is being replaced due to deployment, the spiral cable must also be replaced.
- Do not pinch or damage the harnesses while installing.
- If a malfunction is indicated by the air bag warning lamp after repair or replacement of the malfunctioning parts, refer to the Electronic Service Manual (ESM) for additional diagnostic information.
- After installation is complete, check that no system malfunctions is detected causing the air bag warning lamp to illuminate.