

JTB00567NAS1

TECHNICAL BULLETIN

31 AUG 2017



© Jaguar Land Rover North America, LLC

NOTE: The information in Technical Bulletins is intended for use by trained, professional Technicians with the knowledge, tools, and equipment required to do the job properly and safely. It informs these Technicians of conditions that may occur on some vehicles, or provides information that could assist in proper vehicle service. The procedures should not be performed by 'do-it-yourselfers'. If you are not a Retailer, do not assume that a condition described affects your vehicle. Contact an authorized Jaguar service facility to determine whether this bulletin applies to a specific vehicle.

INFORMATION**SECTION:**

501-02: Front End Body Panels

SUBJECT/CONCERN:

Creak Noise From Front Bulkhead

AFFECTED VEHICLE RANGE:

MODEL:	MODEL YEAR:	VIN:	ASSEMBLY PLANT:
F-PACE (X761)	2017 Onwards	045068 Onwards	Solihull

MODEL:	MODEL YEAR:	VIN:	ASSEMBLY PLANT:
XE (X760)	2017	921222-999999	Solihull

MARKETS:

NORTH AMERICA

CONDITION SUMMARY:
SITUATION:

A creak noise may be evident from the front bulkhead.

CAUSE:

This may be caused by a difference within the structural tolerances of the body panels in the front bulkhead.

ACTION:

Should a customer express this concern, follow the Service Instruction below.

PARTS:
NOTE:

* - an allowance (\$2.50 USD [or local equivalent]) has been provided to cover the cost of the Hard foam (JLM21205) from the Squeaks & Rattles kit. Claim using Sundry Code 'ZZZ001'.

PART NUMBER	DESCRIPTION	QUANTITY:
*ZZZ001	Hard foam	\$2.50
C2C36026	Rivets	2

WARRANTY:**NOTES:**

- Repair procedures are under constant review, and therefore times are subject to change; those quoted here must be taken as guidance only. Always refer to TOPIx to obtain the latest repair time.
- The JLR Claims Submission System requires the use of causal part numbers. Labor only claims must show the causal part number with a quantity of zero

DESCRIPTION	SRO	TIME (HOURS)	CONDITION CODE	CAUSAL PART
Left Hand Drive (LHD) vehicles - Front bulkhead - Modification	76.96.52	0.8	07	T4A1726

NOTE:

Normal Warranty procedures apply.

SERVICE INSTRUCTION:

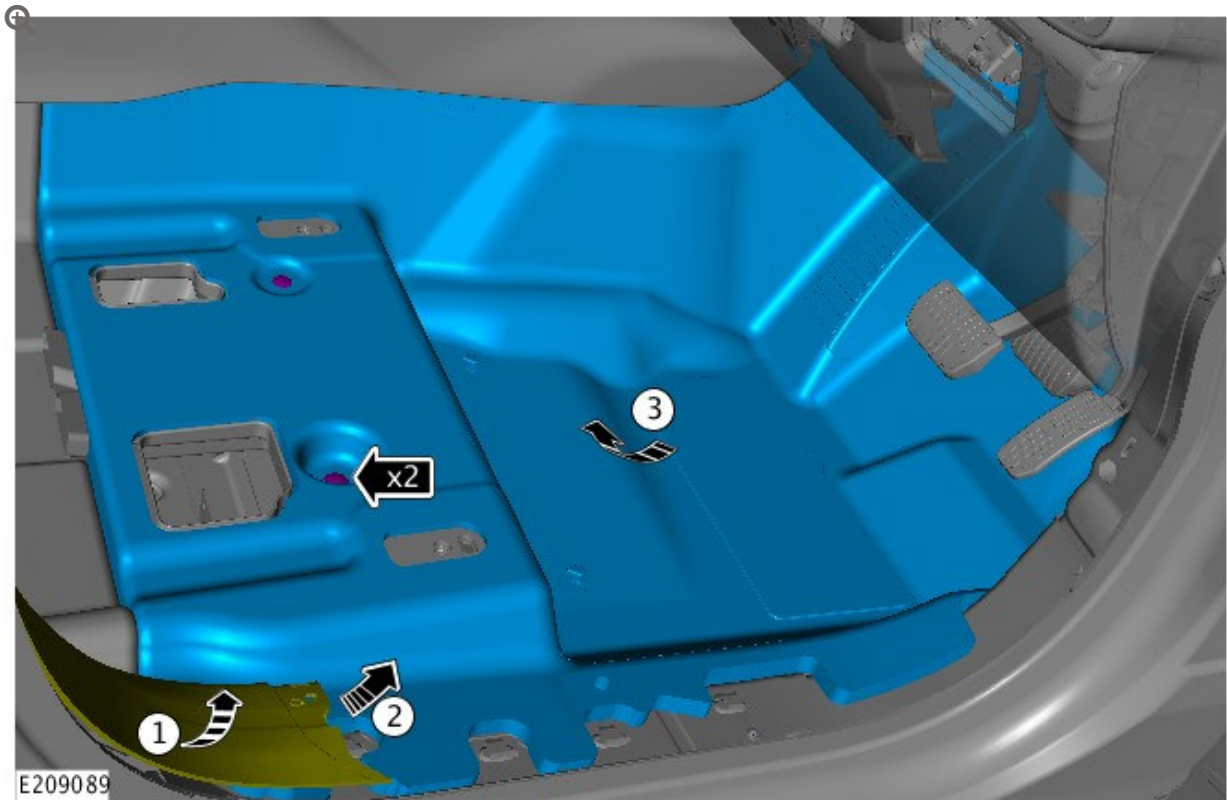
¹ Remove the front left seat (see TOPIx Workshop Manual section 501-10: Seating - Front Row Seat).

² Remove the accelerator pedal and bracket (see TOPIx Workshop Manual section 310-02: Acceleration Control - Accelerator Pedal).

³

NOTE:

Right Hand Drive (RHD) shown; Left Hand Drive (LHD) similar.



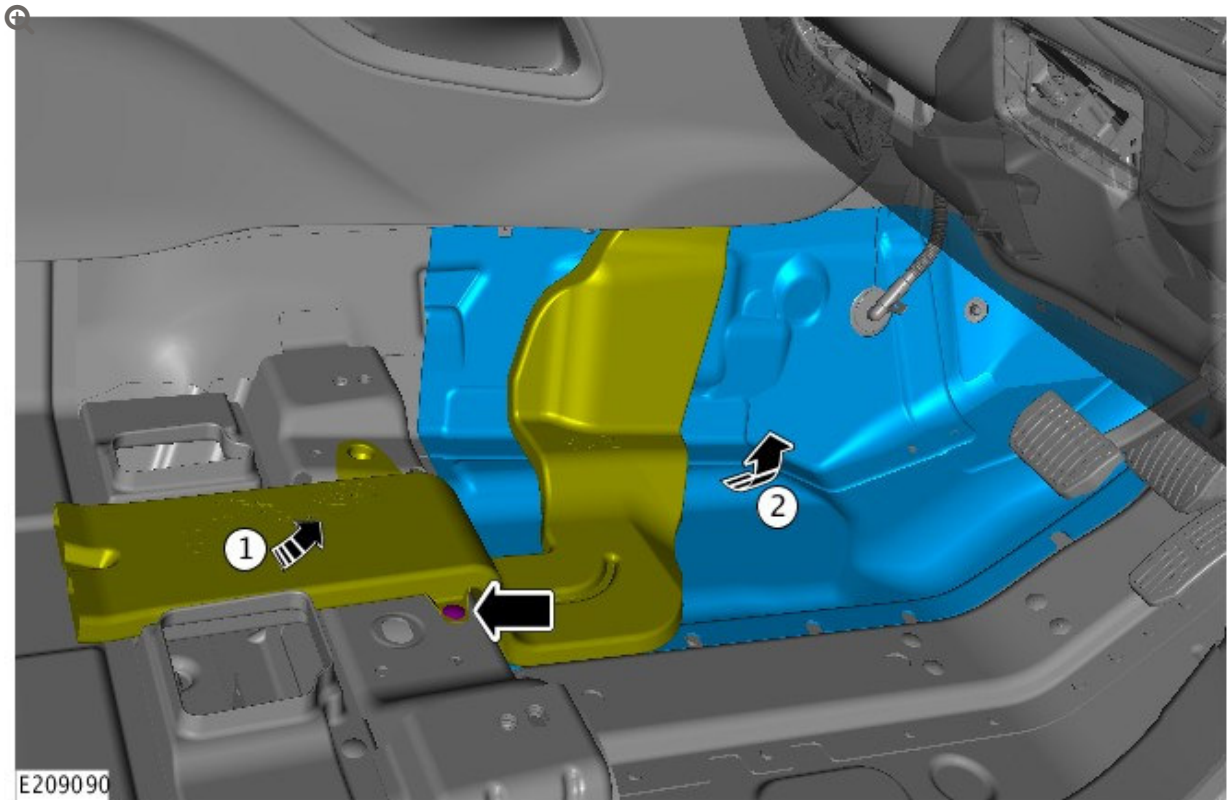
Remove the front left floor carpet.

- 1 Gently lift the lower B-pillar trim (1).
- 2 Position the carpet to one side under the lower B-pillar trim (2).
- 3 Remove the front left floor carpet (3).

4

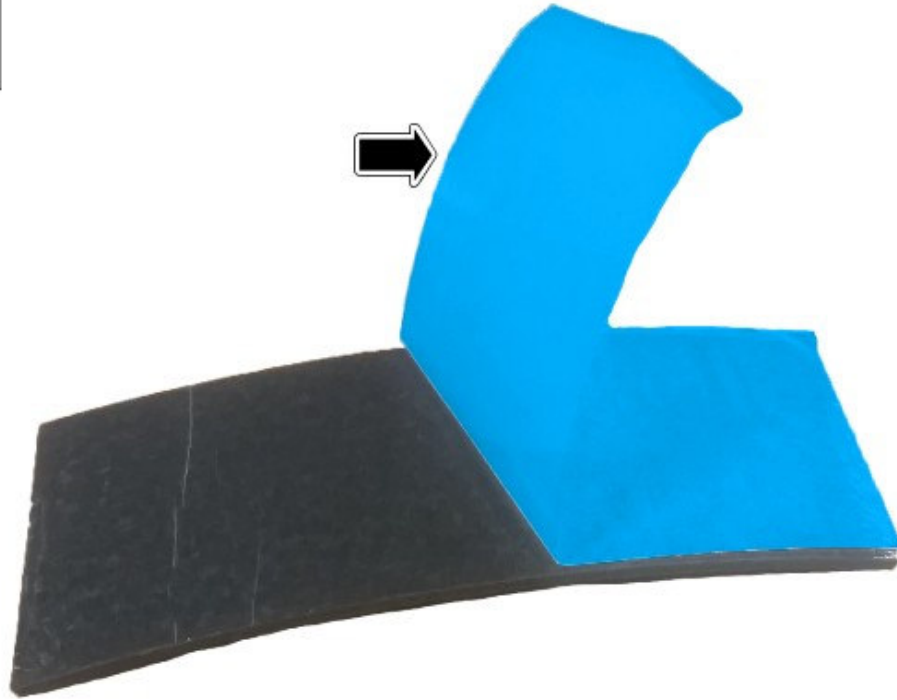
NOTE:

Right Hand Drive (RHD) shown; Left Hand Drive (LHD) similar.



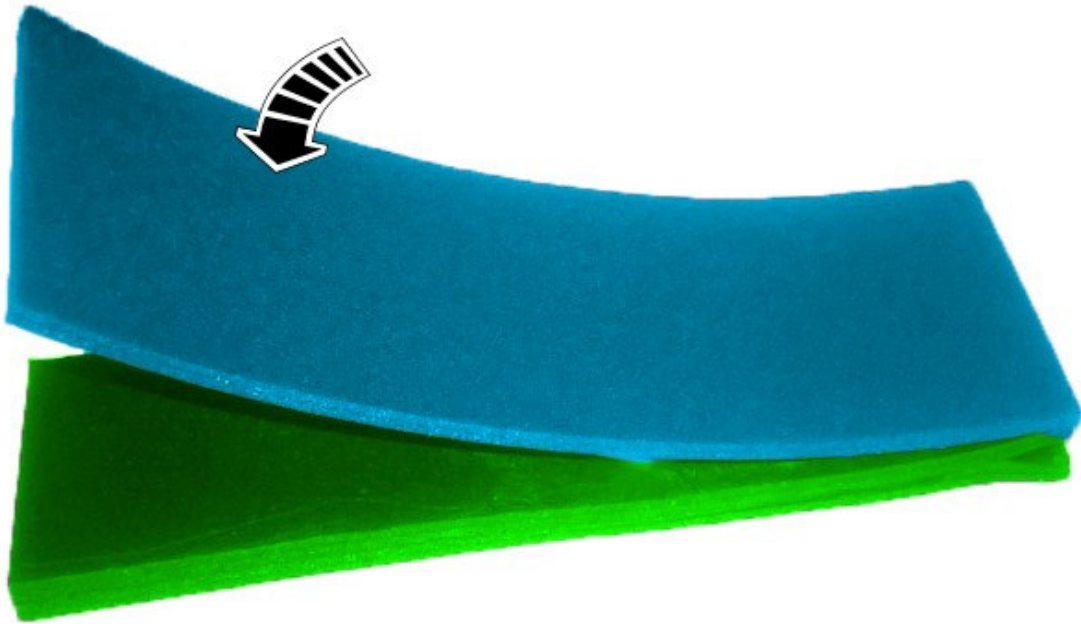
Remove the front left floor Noise, Vibration and Harshness (NVH) material.

- 1 Gently lift the floor duct (1).
- 2 Remove the driver's floor NVH pad (2).



E209327

Remove the backing from 2 pieces of hard foam (JLM21205) from the Squeaks & Rattles kit.



E209328

Join both pieces of hard foam together as shown.

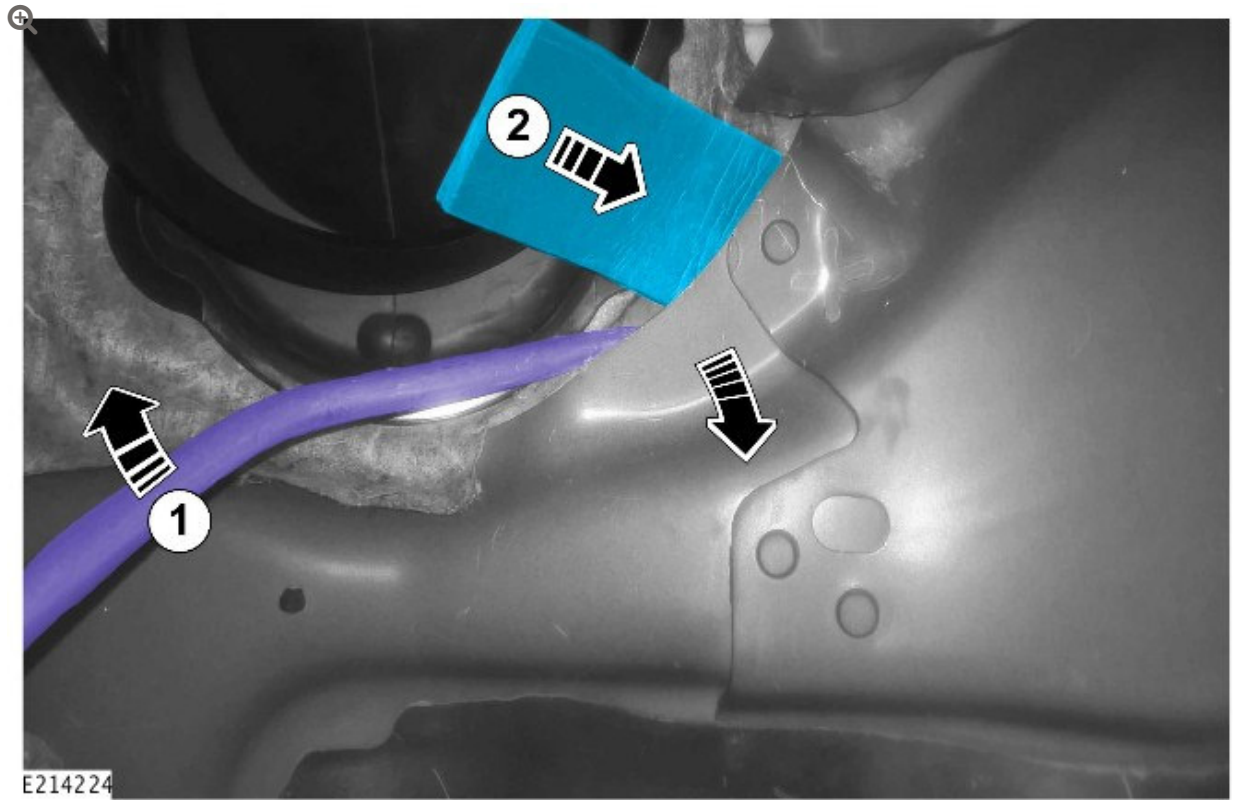
7

CAUTION:

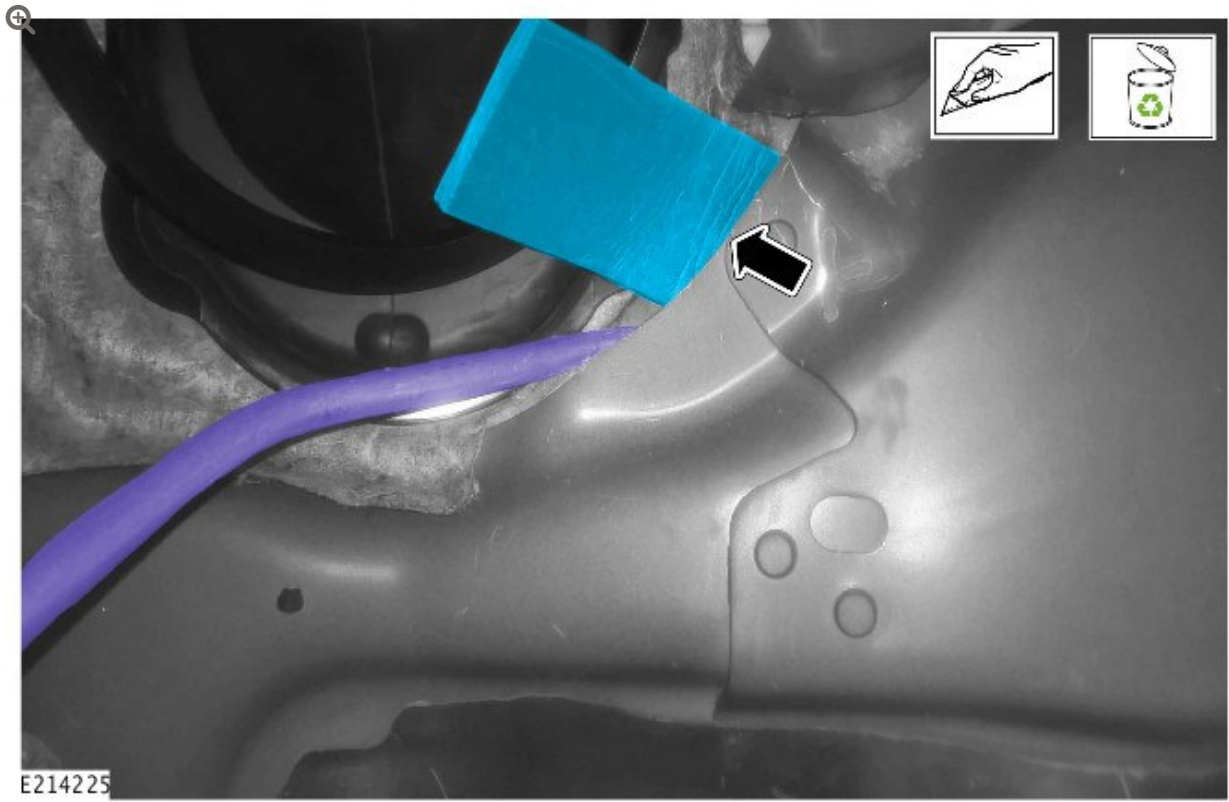
Take care to not damage the steering column seal when separating the body panels.

NOTE:

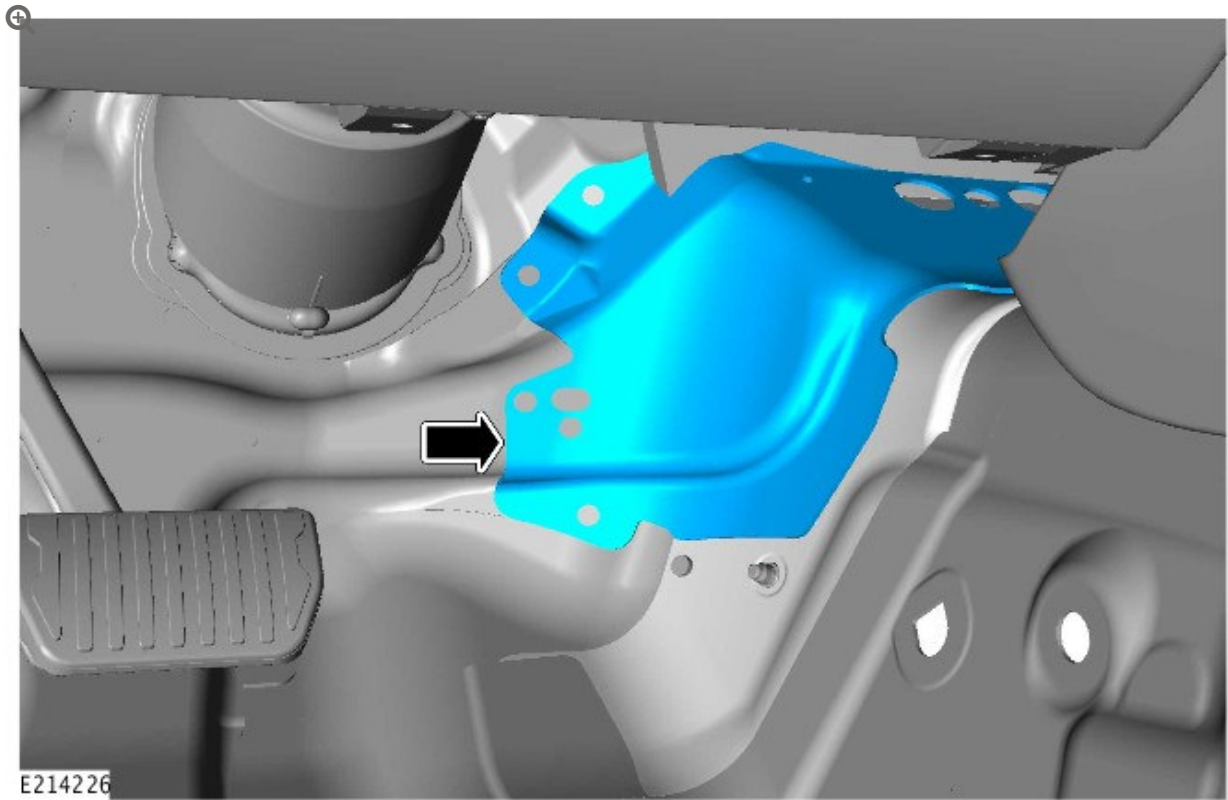
Insert the foam pad as far into the gap between the body panels as possible.



Using a suitable tool, separate the 2 body panels (1) and then install the foam pad (2) as far into the gap as possible.



Cut and discard the excess hard foam visible from between the body panels.

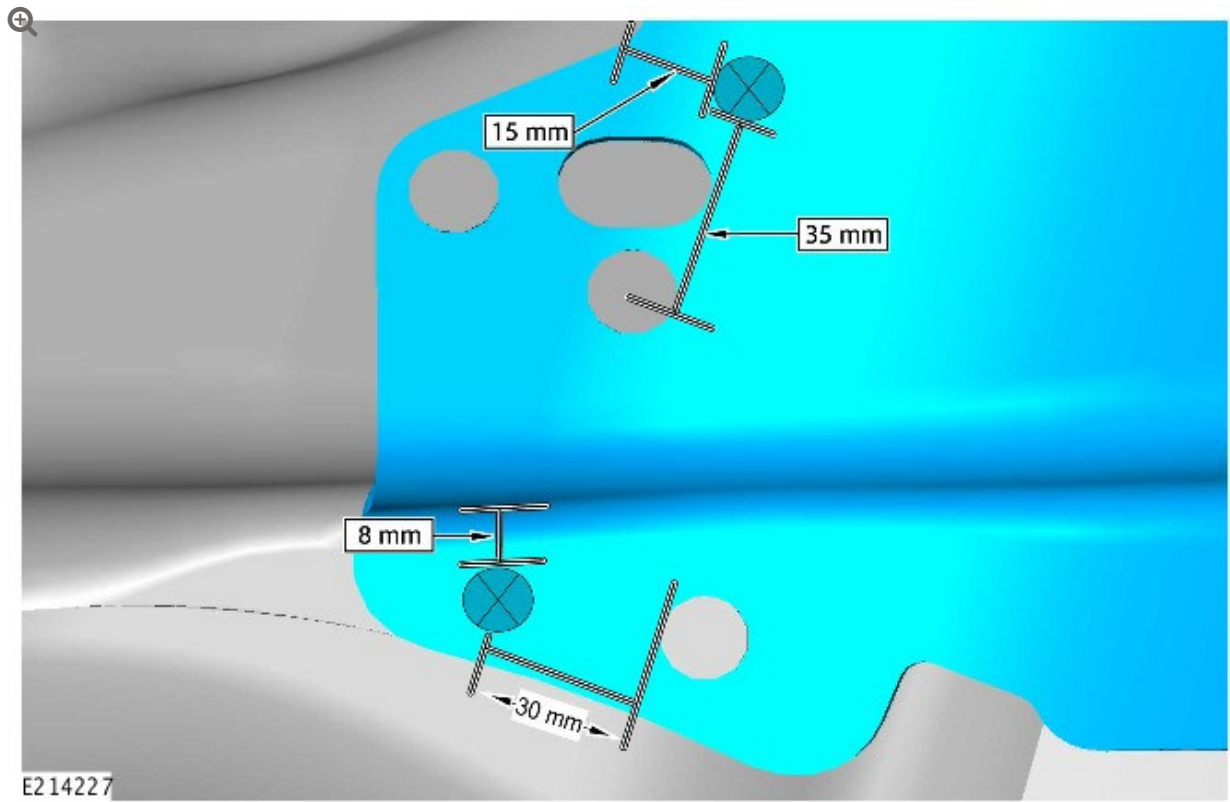


Locate the panel shown.

10

NOTE:

Install ONLY the 2 rivets in the areas shown. DO NOT INSTALL ANY ADDITIONAL RIVETS.



Drill 2 (two) 7mm holes and install 2 rivets in the area shown.

11 Reverse steps 1-4.