



Technical Tip

Topic	10-17-01TT – Vibration in Reverse/Debris in Engine Mount
Market area	United States 444 Volkswagen of America, Inc. (6444)
Brand	Volkswagen
Date	April 21, 2017

Condition

ATTENTION:
THIS IS A TECH TIP, NOT A TECHNICAL BULLETIN.
TECH TIPS ARE NOT ASSOCIATED WITH WARRANTY CLAIMING.

Vibration in Reverse/Debris in Engine Mount

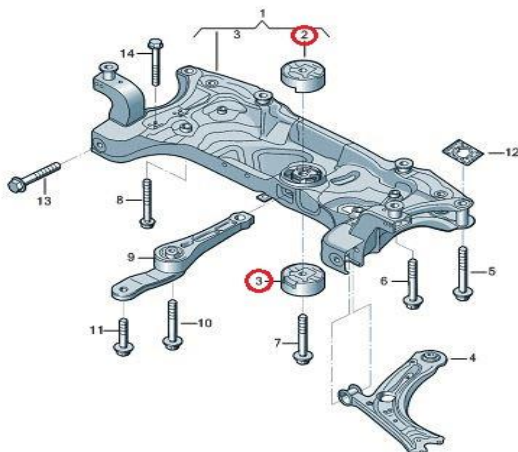
Model(s)	Year	Eng. Code	Trans. Code	VIN Range From	VIN Range To
Jetta	2009-2017	All	All	All	All

Technical Background

An excessive vibration may be noticeable while at idle, or during slow parking lot maneuvers, when the transmission is in reverse. This condition may be due to small stones or other debris becoming trapped in the torsional engine mount (Figures 1 and 2). The trapped debris results in binding that limits the effective range of motion of the engine mount, causing the mount to ground out against the sub frame.

Service

Inspect the torsional engine mount for debris, including stones, and remove debris as necessary. Figure 1 below illustrates a 2016 Jetta sub frame as an example. Similar engine mounting designs are utilized dependent on powertrain being serviced. Be certain to reference the engine mount procedure in Elsa, and replace any bolts that are removed.



1. Highlighted mounts to be inspected.



2. Stone trapped between inner and outer sections of the mount, causing bind



Additional Information

Revision History		
Revision Number	Released Date	Reason For Update
2047610/1	4/21/17	Original publication.

© 2017 Volkswagen Group of America, Inc. All rights reserved. Information contained in this document is based on the latest information available at the time of printing and is subject to the copyright and other intellectual property rights of Volkswagen Group of America, Inc., its affiliated companies and its licensors. All rights are reserved to make changes at any time without notice. No part of this document may be reproduced, stored in a retrieval system, or transmitted in any form or by any means, electronic, mechanical, photocopying, recording, or otherwise, nor may these materials be modified or reposted to other sites, without the prior expressed written permission of the publisher.