

JTBO0580NAS1

TECHNICAL BULLETIN

15 SEP 2017



© Jaguar Land Rover North America, LLC

NOTE: The information in Technical Bulletins is intended for use by trained, professional Technicians with the knowledge, tools, and equipment required to do the job properly and safely. It informs these Technicians of conditions that may occur on some vehicles, or provides information that could assist in proper vehicle service. The procedures should not be performed by 'do-it-yourselfers'. If you are not a Retailer, do not assume that a condition described affects your vehicle. Contact an authorized Jaguar service facility to determine whether this bulletin applies to a specific vehicle.

INFORMATION**SECTION:**

501-25C: Body Repairs

SUBJECT/CONCERN:

Water Leak Into Front Footwell(s)

AFFECTED VEHICLE RANGE:

MODEL:	MODEL YEAR:	VIN:	ASSEMBLY PLANT:
XE (X760)	2017	P14215-P16316	Castle Bromwich

MARKETS:NORTH AMERICA

CONDITION SUMMARY:**SITUATION:**

A water leak into the front left and/or right footwells may be evident.

CAUSE:

This may be caused by incorrect sealant application during the build process.

ACTION:

Should a customer express this concern, refer to the Service Information and then follow BOTH Workshop Procedures below.

PARTS:**NOTE:**

* - an allowance (\$2.50 USD [or local equivalent]) has been provided to cover the cost of the locally sourced putty and silicone sealant. Claim using Sundry Code 'ZZZ001'.

PART NUMBER	DESCRIPTION	QUANTITY:
ZZZ001	Body putty; clear silicone sealant	\$2.50

WARRANTY:**NOTES:**

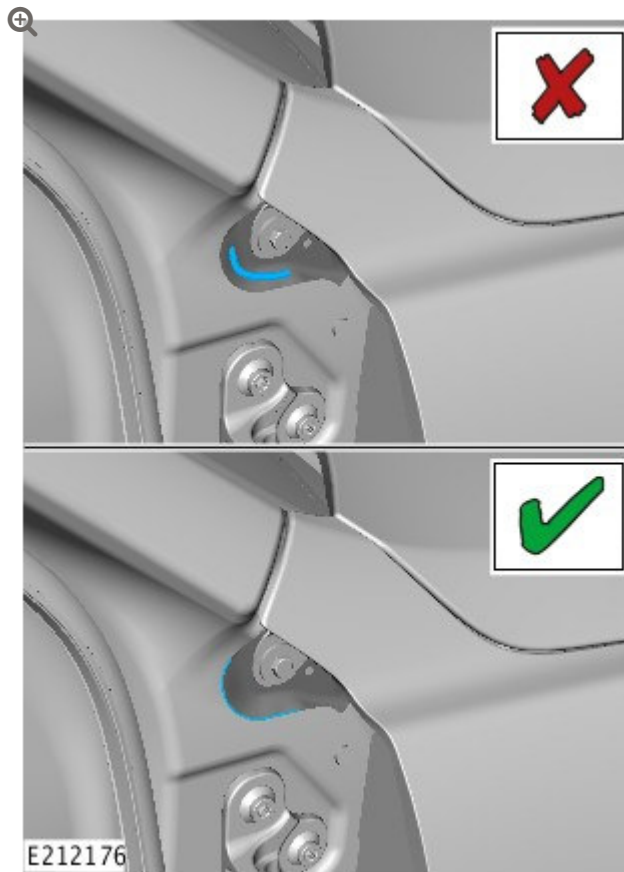
- Repair procedures are under constant review, and therefore times are subject to change; those quoted here must be taken as guidance only. Always refer to TOPIx to obtain the latest repair time.
- The JLR Claims Submission System requires the use of causal part numbers. Labor only claims must show the causal part number with a quantity of zero

DESCRIPTION	SRO	TIME (HOURS)	CONDITION CODE	CAUSAL PART
A-pillar water ingress	76.96.57	0.2	68	T2H11517
Remove water - Dry vehicle/electronics - Left	76.96.60	0.8	68	T2H11517
Remove water - Dry vehicle/electronics - Right	76.96.61	0.8	68	T2H11517

NOTE:

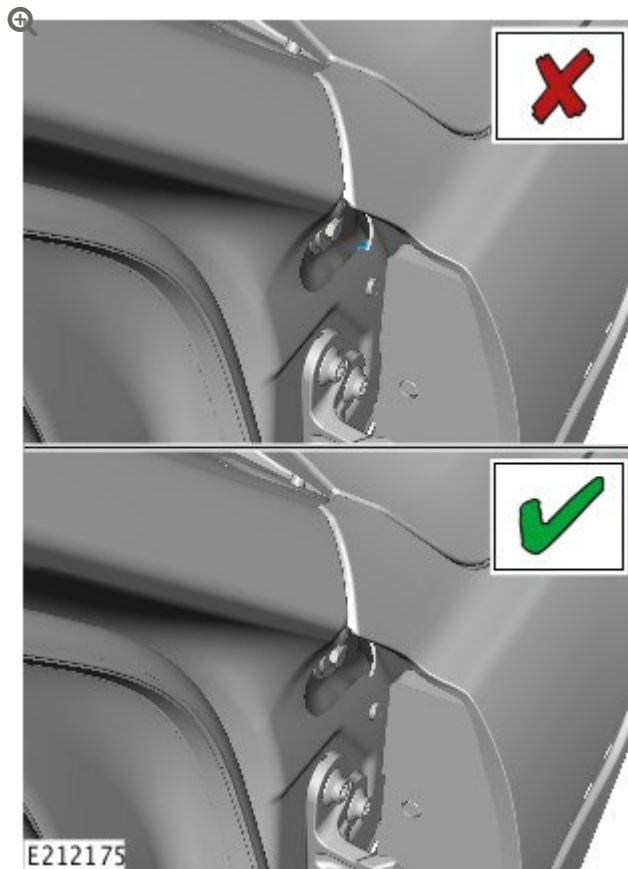
Normal Warranty procedures apply.

SERVICE INFORMATION:



Right A-pillar area shown; left A-pillar area similar:

- ✘ - Silicone sealer not spread over the panels.
- ✔ - Silicone sealer spread onto adjacent panels.



Right A-pillar area shown; left A-pillar area similar:

- ✘ - Body putty visible on the outside of the panels.
- ✔ - Body putty not visible on the outside of the panels.

WORKSHOP PROCEDURE 'A':

1

NOTE:

This issue may affect the left, right, or both sides of the vehicle.

Inspect the affected A-pillar area as shown in the Service Information to evaluate if sealer and/or body putty has been correctly applied.

▪

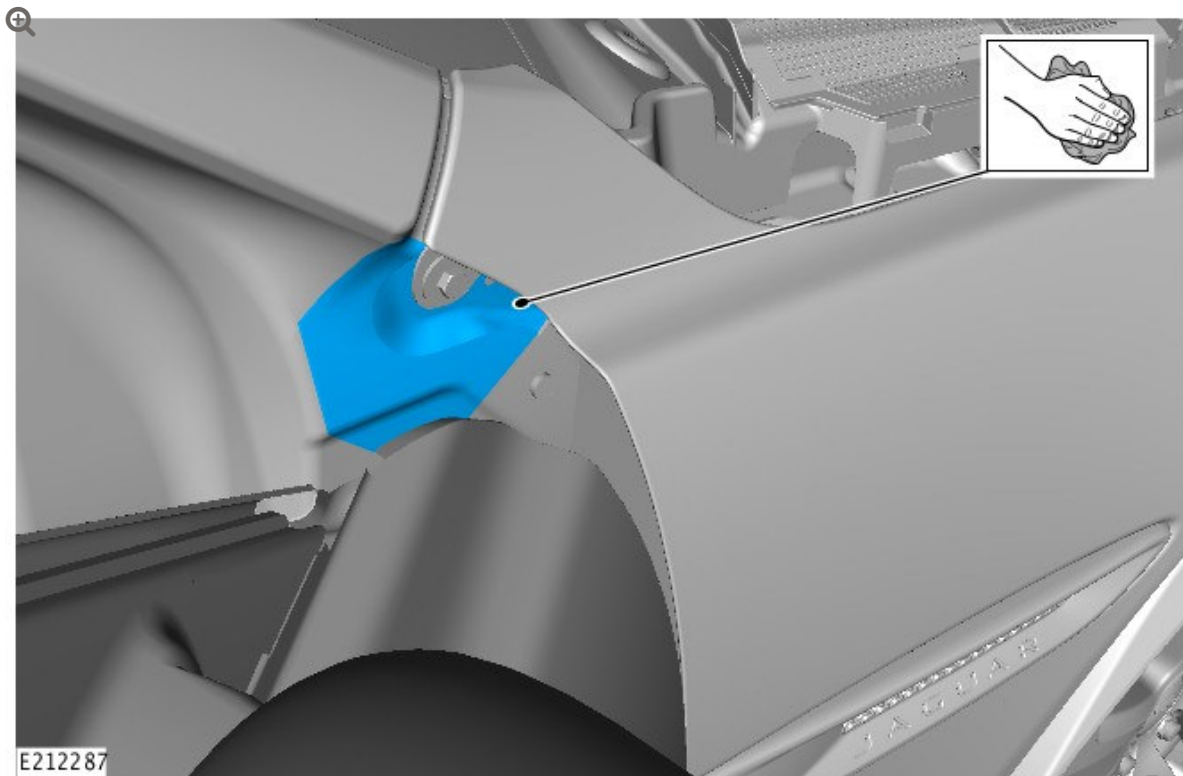
If the sealer and/or body putty has been correctly applied **do not continue with this Technical Bulletin and investigate the cause of the water ingress (see TOPIx Workshop Manual section 501-25C: Body repairs - Water leaks).**

- If the sealer and/or body putty has been incorrectly applied **go to Step 2.**

2

NOTE:

Right A-pillar area shown; left A-pillar area similar.



Use a suitable cleaner to remove any incorrectly applied silicone sealant from the vehicle body.

3

NOTE:

Right A-pillar area shown; left A-pillar area similar.



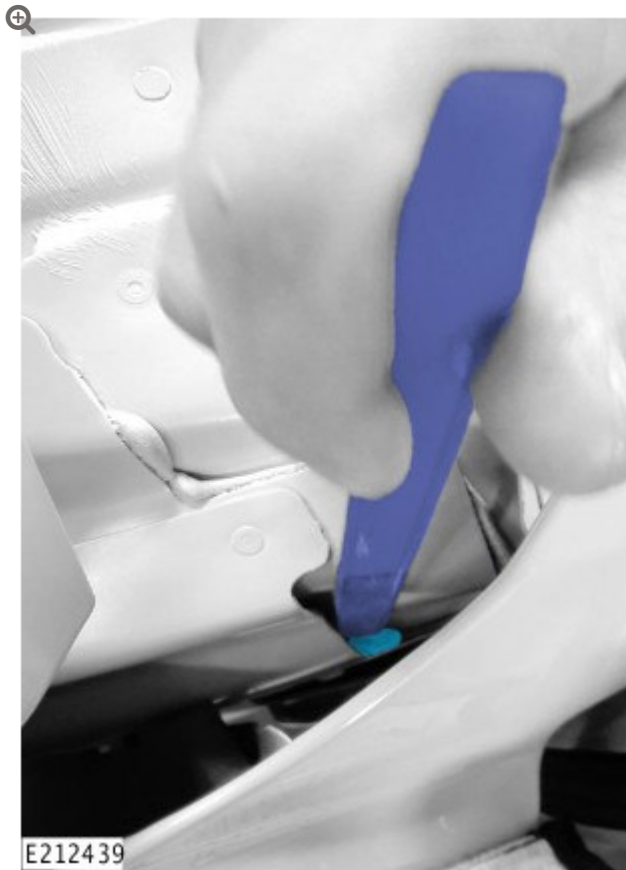
Apply clear silicone sealant to the panel gap as shown.

- Spread the sealer over the panel joint.

4

NOTE:

Left A-pillar area shown; right A-pillar area similar.



Use a suitable plastic trim tool to remove any body putty that has been incorrectly applied.

5

NOTE:

Left A-pillar area shown; right A-pillar area similar.

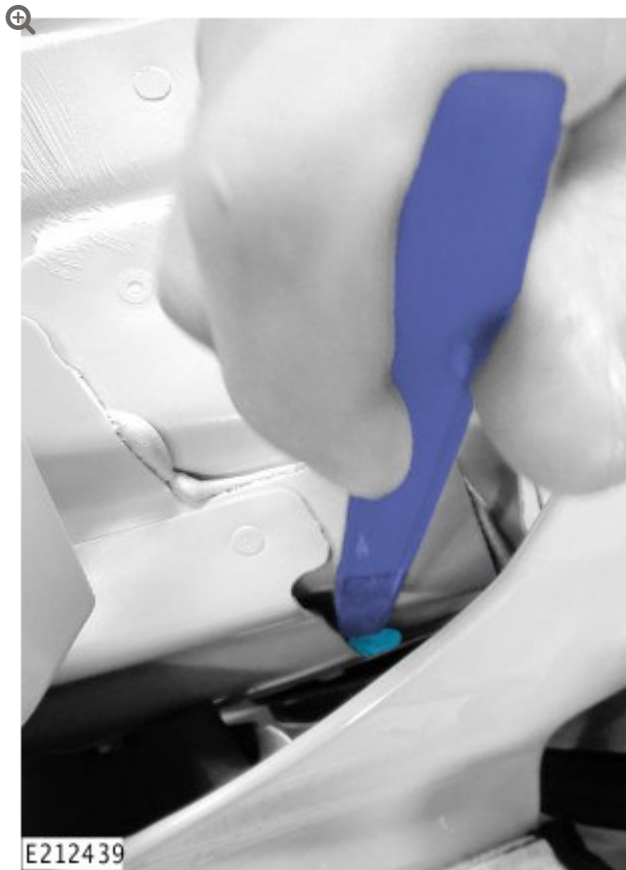


Install a small amount of body putty into the panel gap as shown.

6

NOTE:

Left A-pillar area shown; right A-pillar area similar.



Using a suitable plastic trim tool spread the body putty into the panel gap until none is visible.

-
- 7 **Only if necessary:** repeat steps 1-6 for the other side of the vehicle.

WORKSHOP PROCEDURE 'B':

NOTES:

- The following inspection process should be performed on all vehicles that have required this repair.
- The treadplate may also be known as the scuff plate trim panel.

- 1 Remove the front left treadplate (see TOPIx Workshop Manual section 501-05: Interior Trim and Ornamentation - Front Scuff Plate Trim Panel).

-
- 2 Remove the left cowl side trim panel (see TOPIx Workshop Manual section 501-05: Interior Trim and Ornamentation - Cowl Side Trim Panel).

3

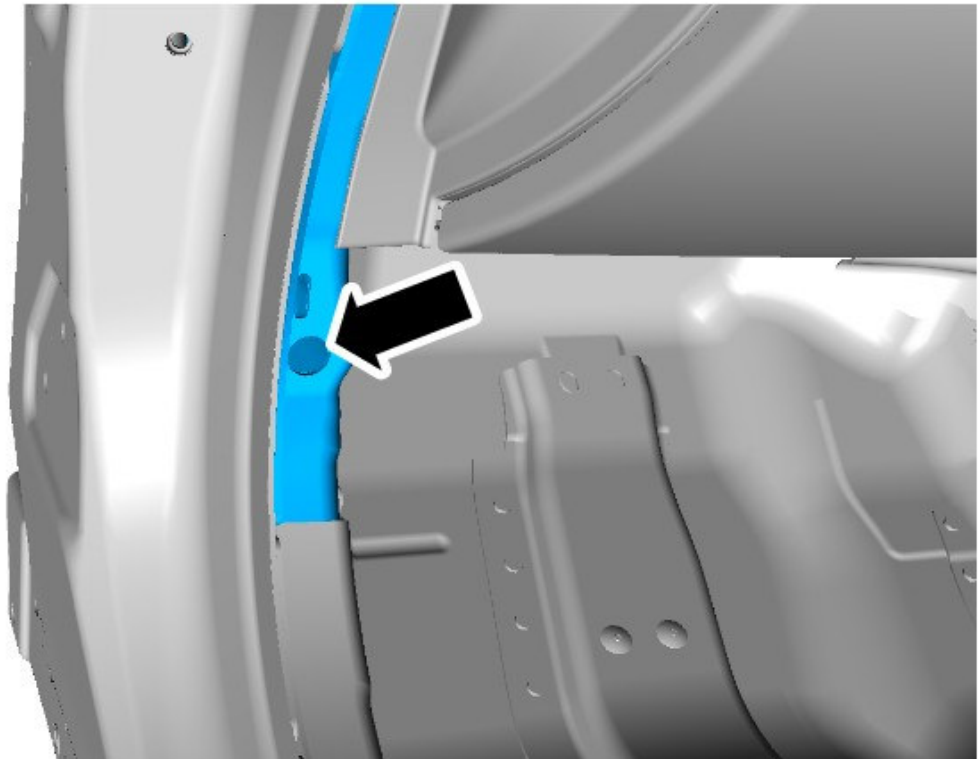
NOTE:

Before repositioning the carpet remove any standing water.



Position the front left carpet to one side.

4



E194700

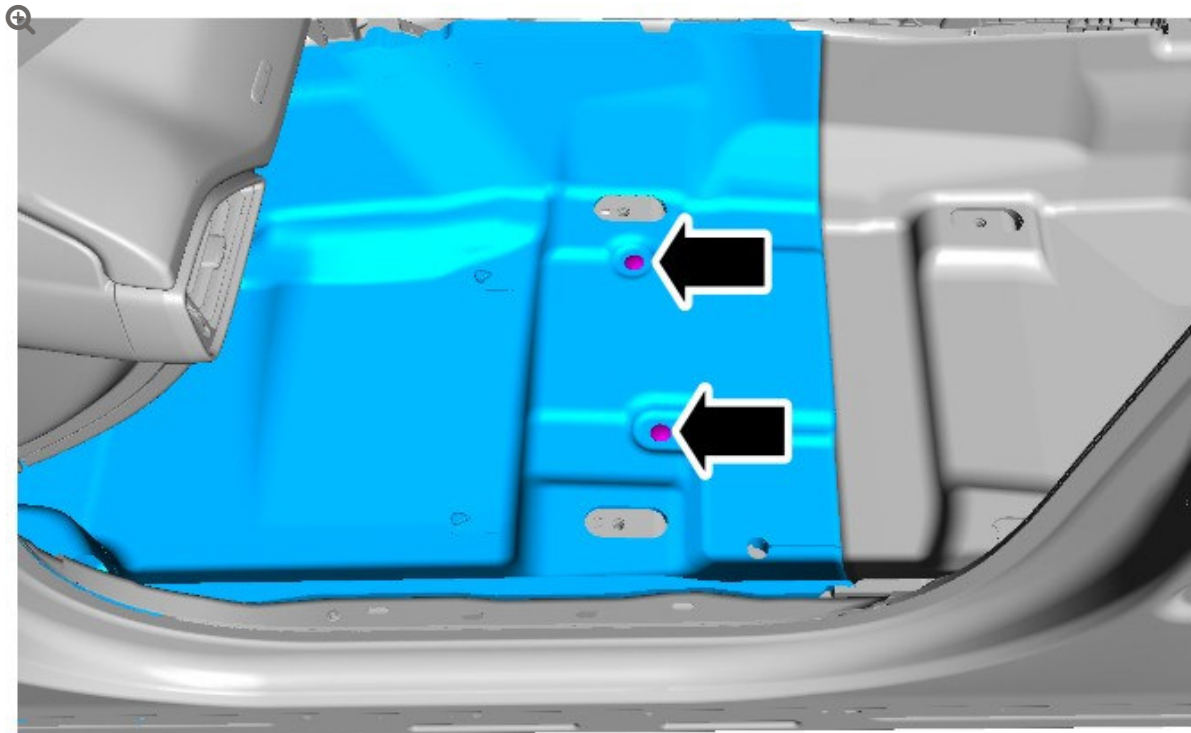
Using a syringe or similar tool, remove any standing water located in the left lower A-pillar using the access hole shown.

-
- 5 Visually check the floorpan for signs of water.
 - If no water is found on the floorpan, reposition the front left carpet and **go to Step 19.**
 - If water is found on the floorpan, **go to Step 6.**

 - 6 Remove the left B-pillar lower trim (see TOPIx Workshop Manual section 501-05: Interior Trim and Ornamentation - B-Pillar Lower Trim Panel).

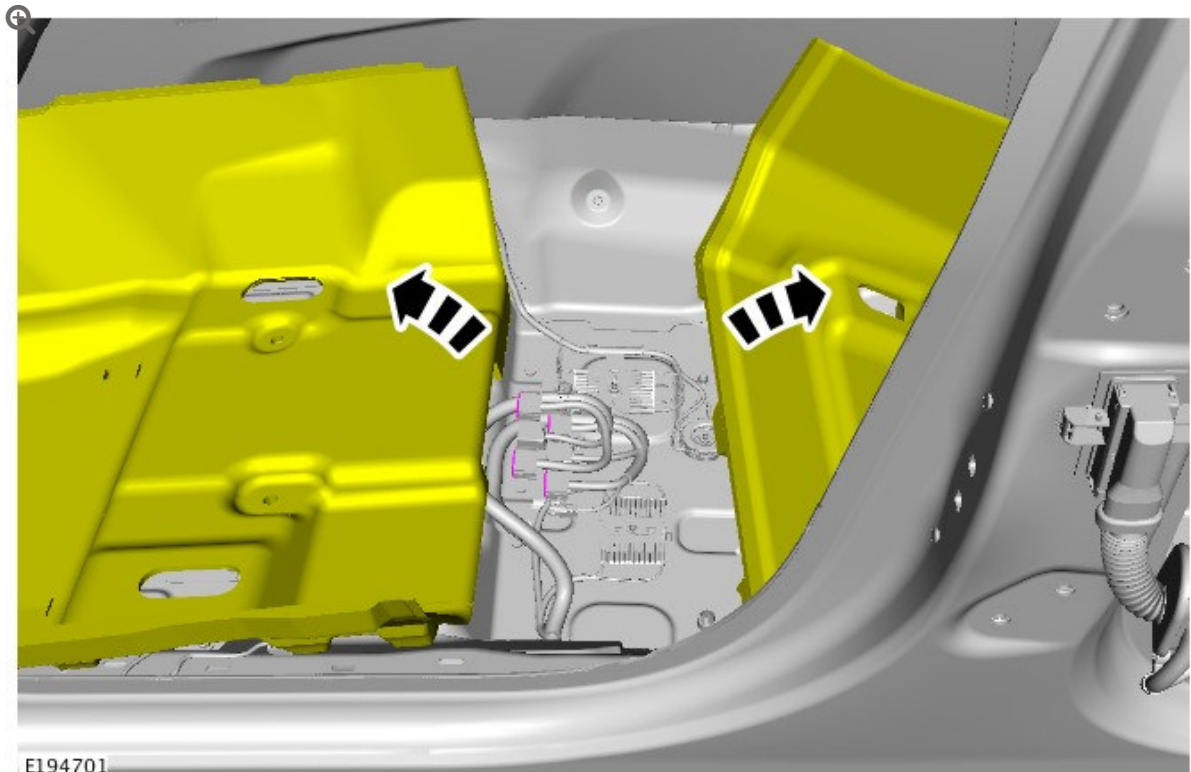
 - 7 Remove the left front row seat (see TOPIx Workshop Manual section 501-10: Seating - Front Seat).

8



E194988

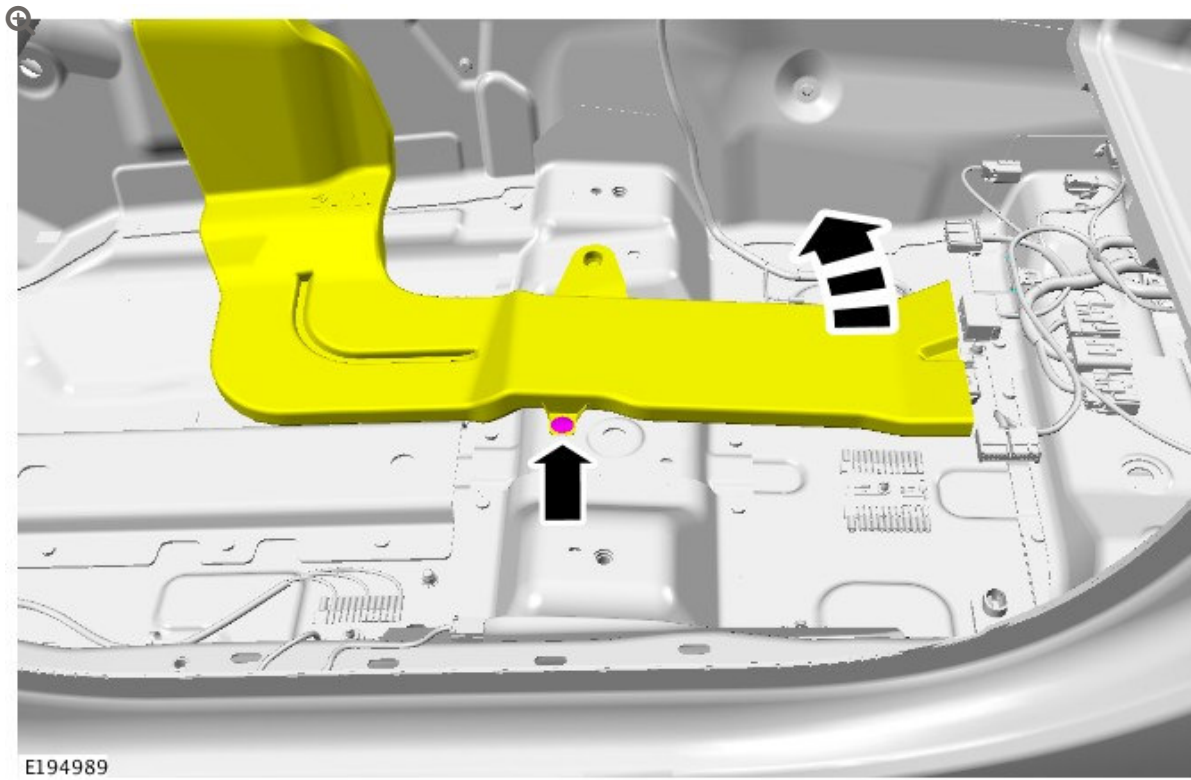
Remove the fasteners from the front left carpet.



E194701

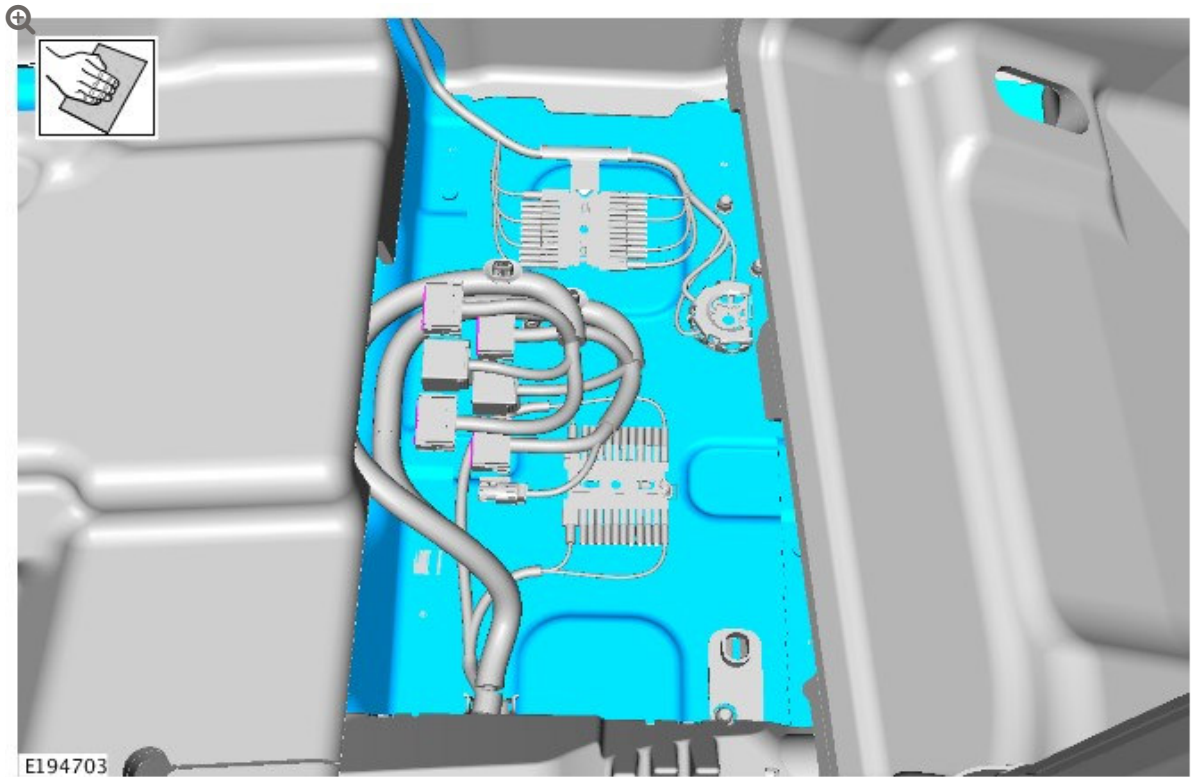
Position the front left and rear carpet to one side to access the 3 ground terminals.

10



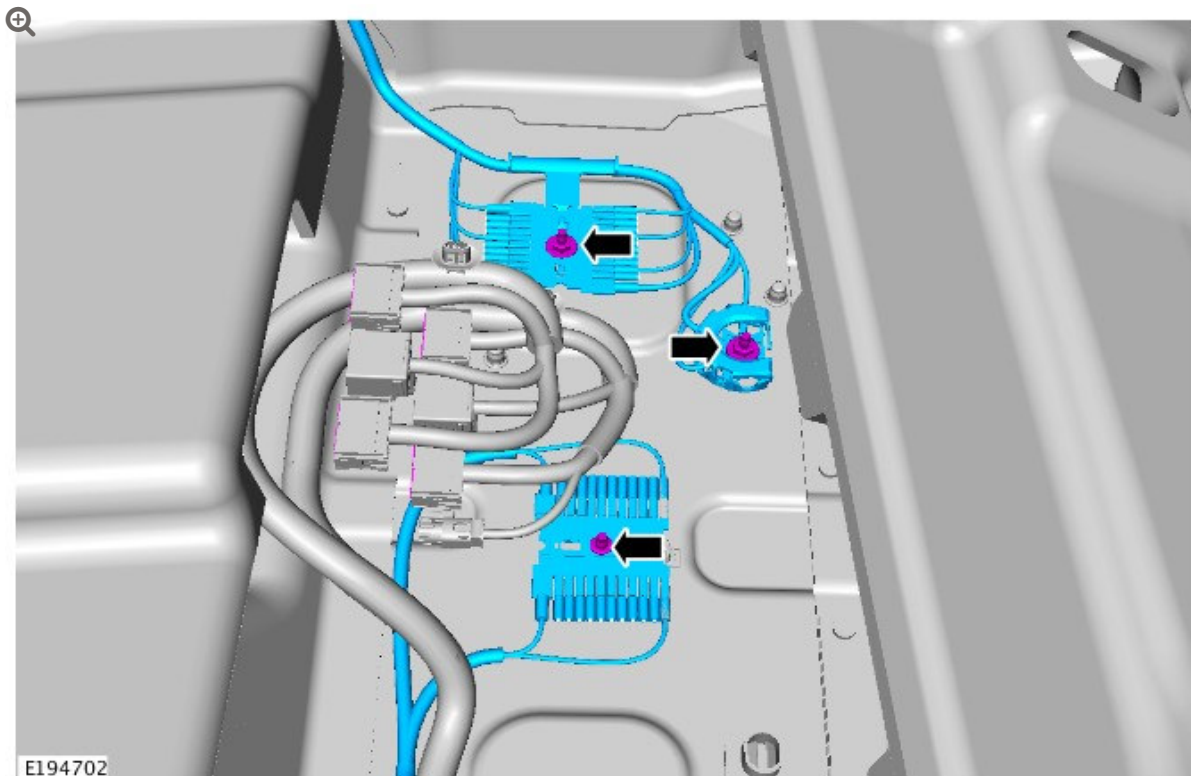
Position the heater vent to one side to access the floorpan and ground terminals.

11



Clean the floorpan using a suitable absorbent cloth.

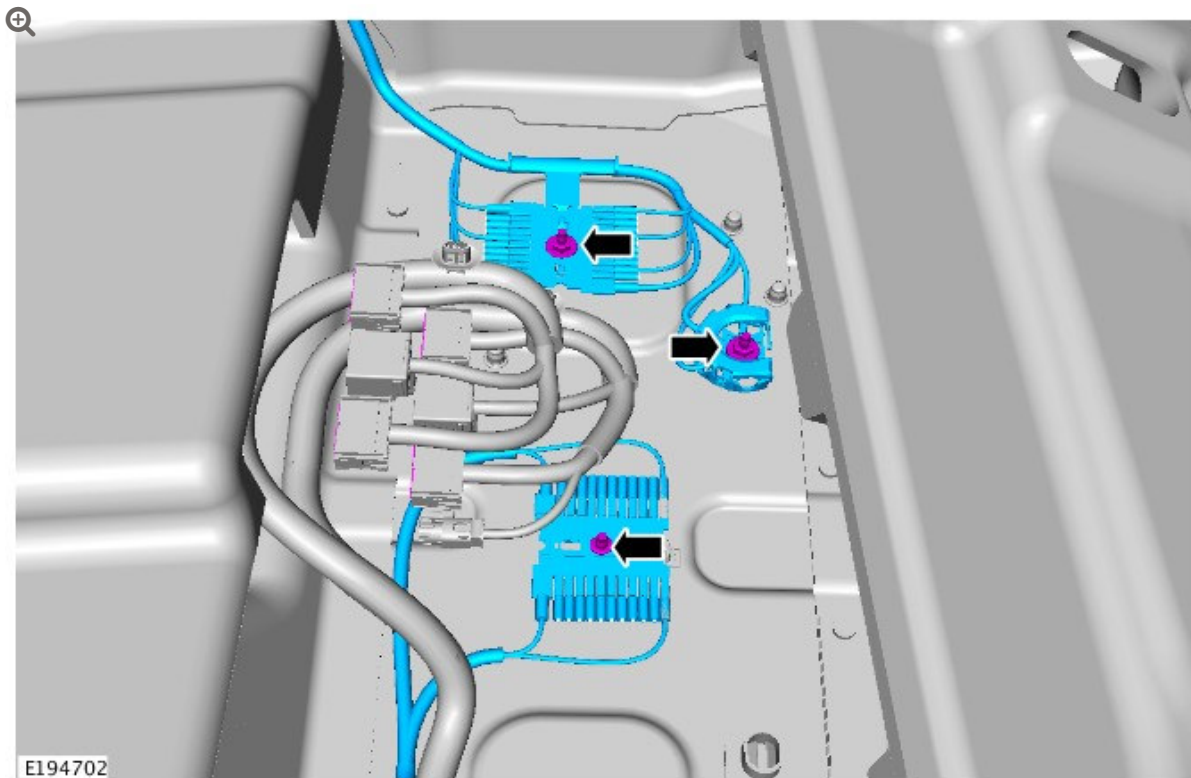
12



Remove the 3 ground terminals.

- 1 Dry and remove any corrosion.
- 2 Apply an electrical contact cleaner to the ground terminals.

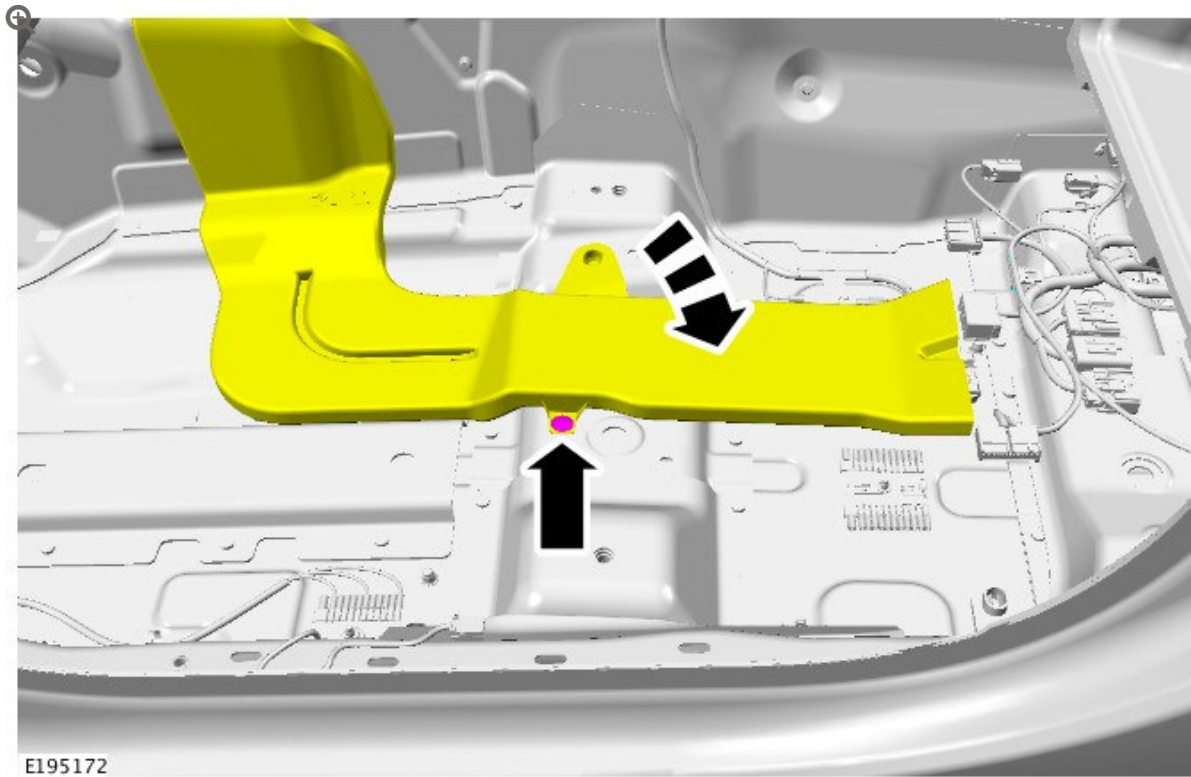
13



Install the 3 ground terminals.

- Torque: **10 Nm.**

14

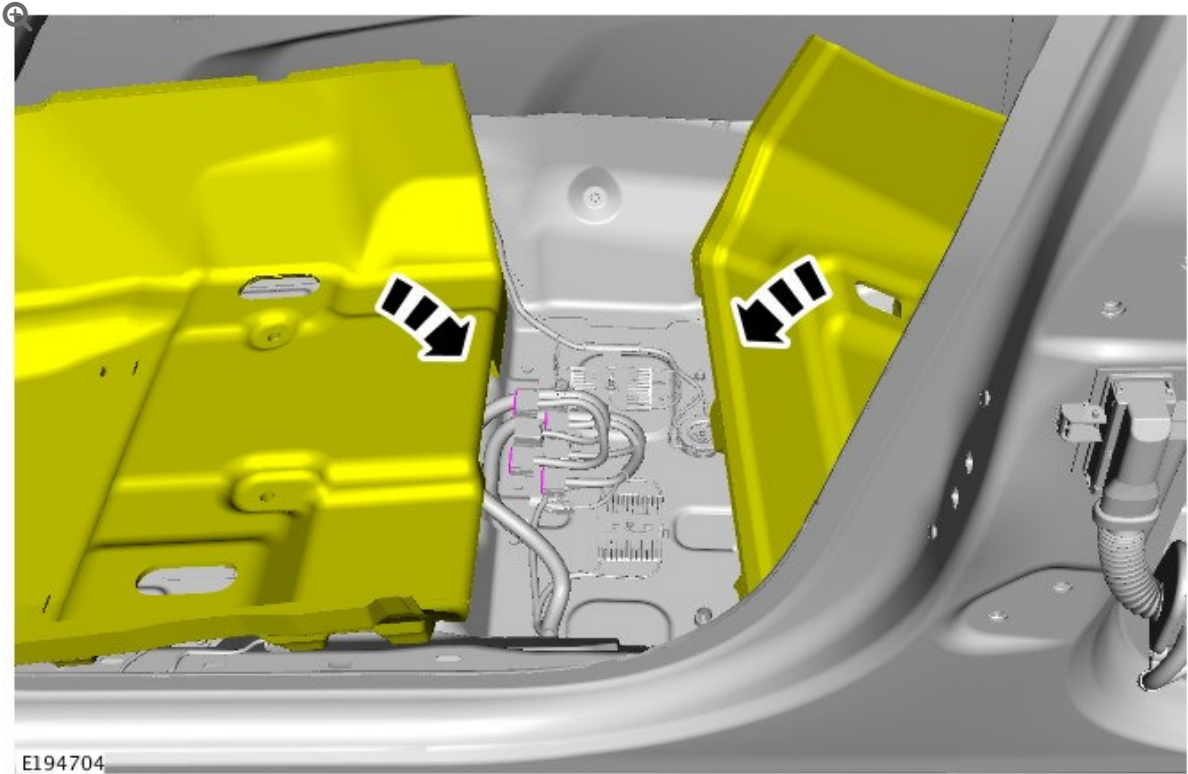


Install the heater vent.

15

NOTE:

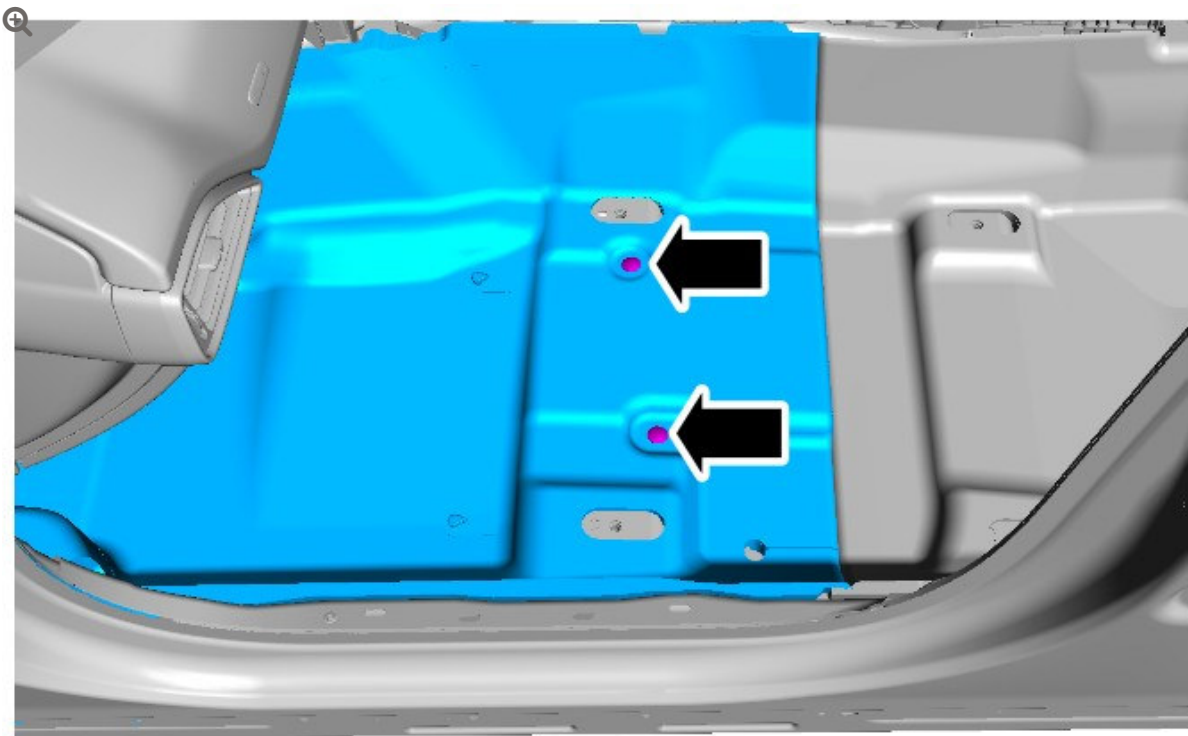
Make sure parts are dry before installation.



E194704

Install the front left and rear carpets.

16



E194988

1

Install the fasteners to the front left carpet.

-
- 17** Install the left front row seat (see TOPIx Workshop Manual section 501-10: Seating - Front Seat).
-
- 18** Install the left B-pillar lower trim (see TOPIx Workshop Manual section 501-05: Interior Trim and Ornamentation - B-Pillar Lower Trim Panel).
-
- 19** Install the left cowl side trim panel (see TOPIx Workshop Manual section 501-05: Interior Trim and Ornamentation - Cowl Side Trim Panel).
-
- 20** Install the front left treadplate (see TOPIx Workshop Manual section 501-05: Interior Trim and Ornamentation - Front Scuff Plate Trim Panel).
-
- 21** Repeat steps 1-20 to the other side of the vehicle.