

JTB00528NAS2

**TECHNICAL BULLETIN**

19 SEP 2017



© Jaguar Land Rover North America, LLC

NOTE: The information in Technical Bulletins is intended for use by trained, professional Technicians with the knowledge, tools, and equipment required to do the job properly and safely. It informs these Technicians of conditions that may occur on some vehicles, or provides information that could assist in proper vehicle service. The procedures should not be performed by 'do-it-yourselfers'. If you are not a Retailer, do not assume that a condition described affects your vehicle. Contact an authorized Jaguar service facility to determine whether this bulletin applies to a specific vehicle.

**INFORMATION**

---

This reissue replaces all previous versions. Please destroy all previous versions.

---

**SECTION:**

501-25A: Body Repairs

---

**SUBJECT/CONCERN:**

'Creak' / 'Click' Noise From A-Pillar or Front of Roof Opening Panel

---

**AFFECTED VEHICLE RANGE:**

MODEL:	MODEL YEAR:	VIN:	ASSEMBLY PLANT:
XF (X260)	2016-2017	Y00461-Y47704	Castle Bromwich

---

**MARKETS:**

NORTH AMERICA

---

**CONDITION SUMMARY:**
**SITUATION:**

A 'click' / 'creak' noise may be evident from the top of the A-pillar area or the front of the roof opening panel.

**CAUSE:**

This may be caused by E-coat bonding and panel interference, made worse by flexing of the panels.

**ACTION:**

Should a Customer express this concern, follow the Service Instruction below.

---

**PARTS:**
**NOTES:**

- Roof opening panel may also be referred to as panoramic roof.
- \* - an allowance (\$4.65 USD [or local equivalent]) has been allocated for locally sourcing paint to apply to the Self Piercing Rivet (SPR) heads. Claim using 'ZZZ001'.

PART NUMBER	DESCRIPTION	QUANTITY:
C2D49241	Glass Bonding Adhesive	1

PART NUMBER	DESCRIPTION	QUANTITY:
T4N7722	Frame - Panoramic Roof	1
C2C20592	Self Piercing Rivet (SPR) 8.5mm	4
ZZZ001	Paint	1

---

**WARRANTY:**
**NOTE:**

\* - an allowance (\$4.65 USD [or local equivalent]) has been allocated for locally sourcing paint to apply to the Self Piercing Rivet (SPR) heads. Claim using 'ZZZ001'.

**NOTES:**

- Repair procedures are under constant review, and therefore times are subject to change; those quoted here must be taken as guidance only. Always refer to TOPIx to obtain the latest repair time.
- The JLR Claims Submission System requires the use of causal part numbers. Labor only claims must show the causal part number with a quantity of zero

DESCRIPTION	SRO	TIME (HOURS)	CONDITION CODE	CAUSAL PART
A Pillar - Creak - Repair	76.11.61	3.5	05	T2H4797

**NOTE:**

Normal Warranty procedures apply.

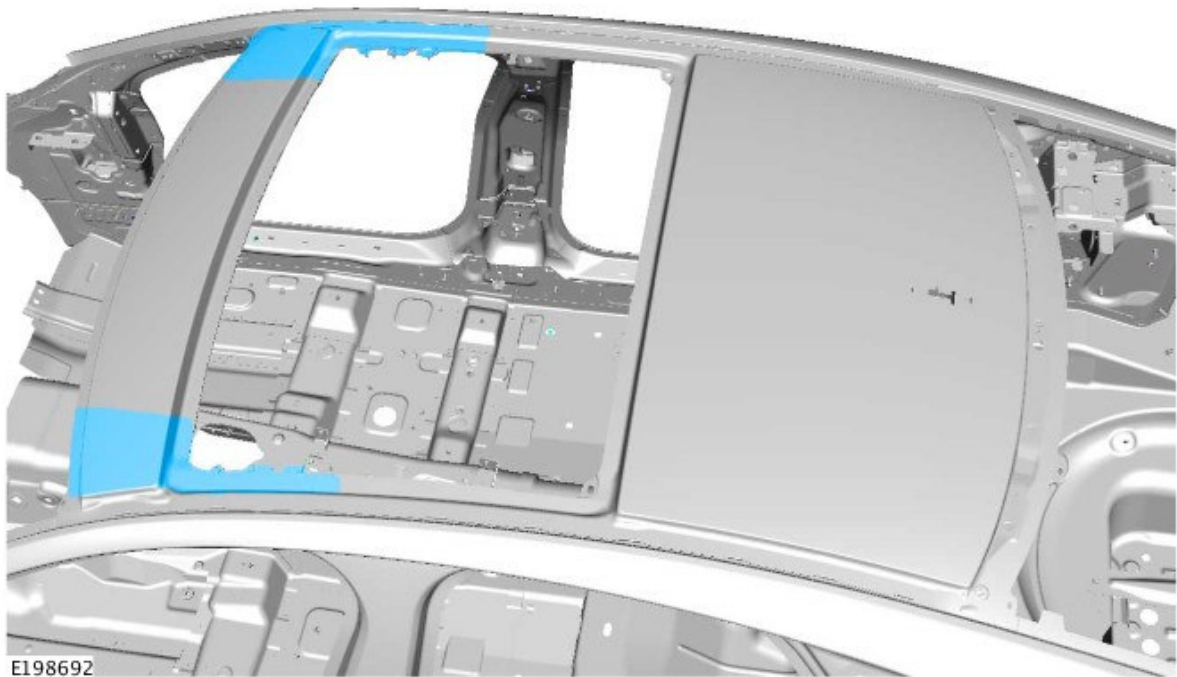
**COMPONENT LOCATION:**


---

**NOTE:**

Components shown removed for clarity.

1



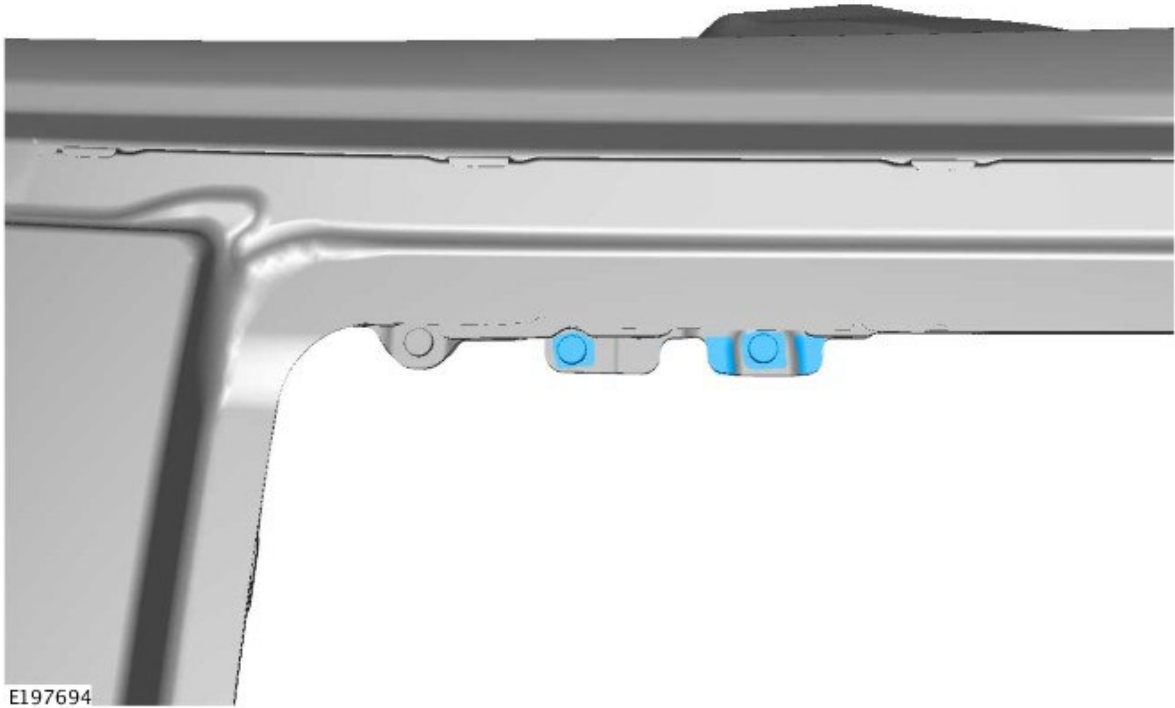
Component location.

**SERVICE INSTRUCTION:****NOTES:**

- Components shown removed for clarity.
- Right-side shown; left-side similar.

- 1 Remove the roof opening panel frame (see TOPIx Workshop Manual section 501-17: Roof Opening Panel - Roof Opening Panel Frame).

2



Install four felt pads from the Squeaks and Rattles Kit in the positions shown.

- Repeat this step on the opposite side of the vehicle.

3

**WARNING:**

Use a suitable tape or protection so no damage is caused to the vehicle paintwork.



Install a Self Piercing Rivet (SPR) between the roof/cantrail inner panel/cantrail outer panel in the position shown.

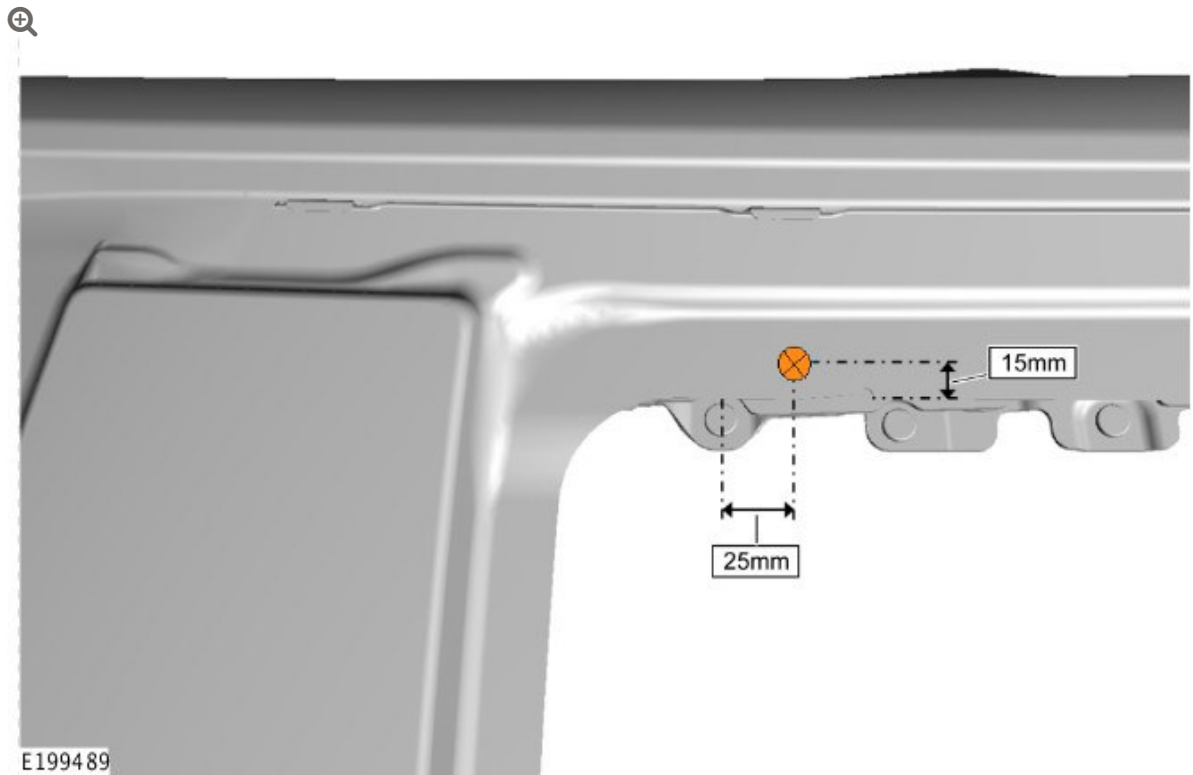
- 1 Apply paint to the newly installed rivet head.
- 2 Repeat this step on the opposite side of the vehicle.
- 3 Remove the tape/protection.

---

4

**WARNING:**

Use a suitable tape or protection so no damage is caused to the vehicle paintwork.



Install a Self Piercing Rivet (SPR) between the roof/cantrail inner panel/cantrail outer panel in the position shown.

- 1 Apply paint to the newly installed rivet head.
- 2 Repeat this step on the opposite side of the vehicle.
- 3 Remove the tape/protection.

**CAUTION:**

Make sure not to over stress the joints between the panels. The objective is to break the E-coat between the two panels and this should not require any bending/distorting of the panels.

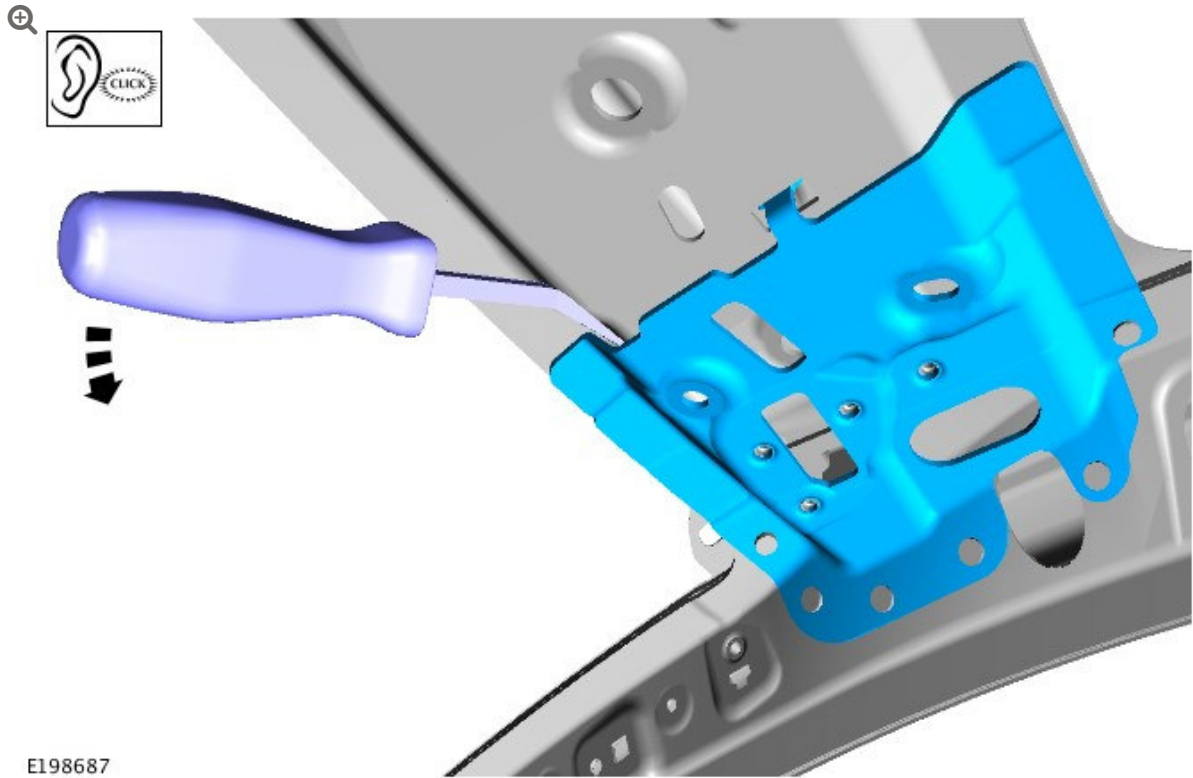
5

**WARNING:**

Make sure no damage is caused to the vehicle.

**NOTE:**

Make sure all the E-coat has been broken.



Insert a suitable tool into the gap at the front of the header between the front header rail and the body side extension.

- 1 Pry the panels apart until an audible 'click' is heard.
  - This will separate the E-coat between the two panels.

6

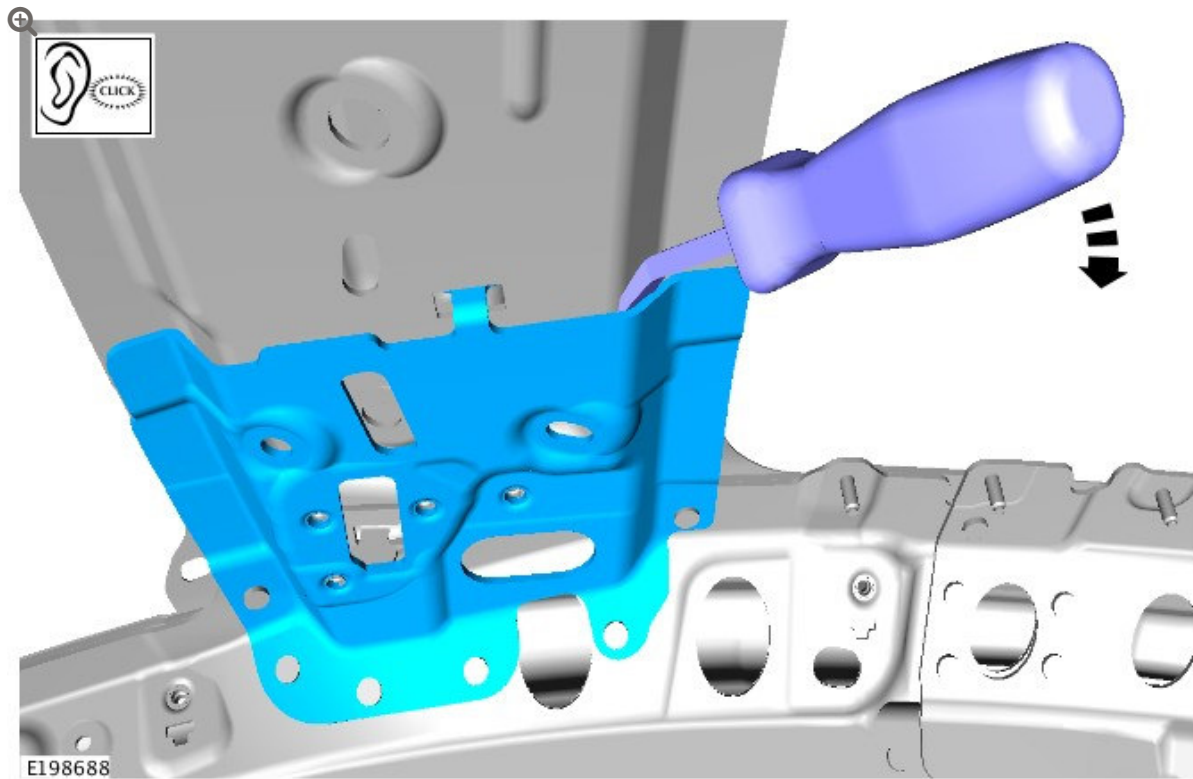
**WARNING:**

Make sure no damage is caused to the vehicle.

**NOTE:**

Make sure all the E-coat has been broken.





Insert a suitable tool into the gap at the rear of the header between the front header rail and the body side extension.

- 1 Pry the panels apart until an audible 'click' is heard.
  - This will separate the E-coat between the two panels.

---

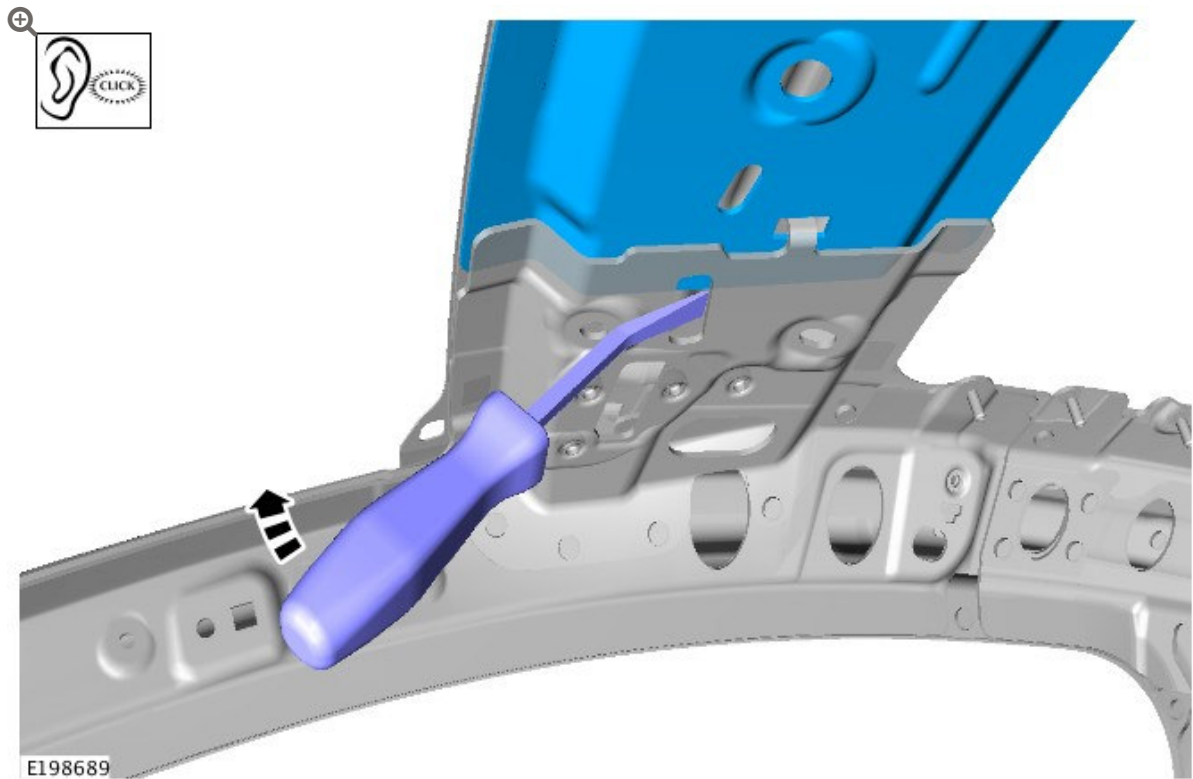
7

**WARNING:**

Make sure no damage is caused to the vehicle.

**NOTE:**

Make sure all the E-coat has been broken.



Insert a suitable tool into the slot on the body side bracket and pry the panels apart until an audible click is heard.

- This will separate the E-coat between the two panels.

---

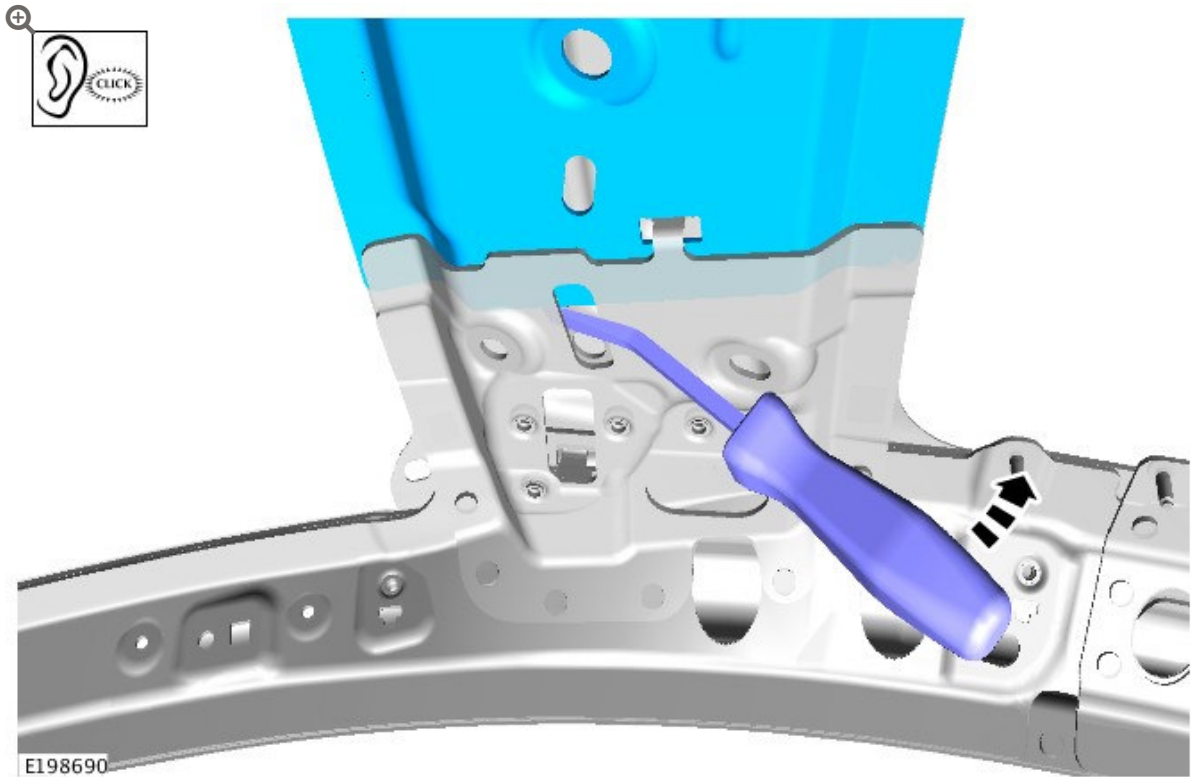
8

**WARNING:**

Make sure no damage is caused to the vehicle.

**NOTE:**

Make sure all the E-coat has been broken.



Insert a suitable tool into the same slot on the body side bracket but in the opposite orientation.

- 1 Pry the panels apart until an audible 'click' is heard.
  - This will separate the E-coat between the two panels.

---

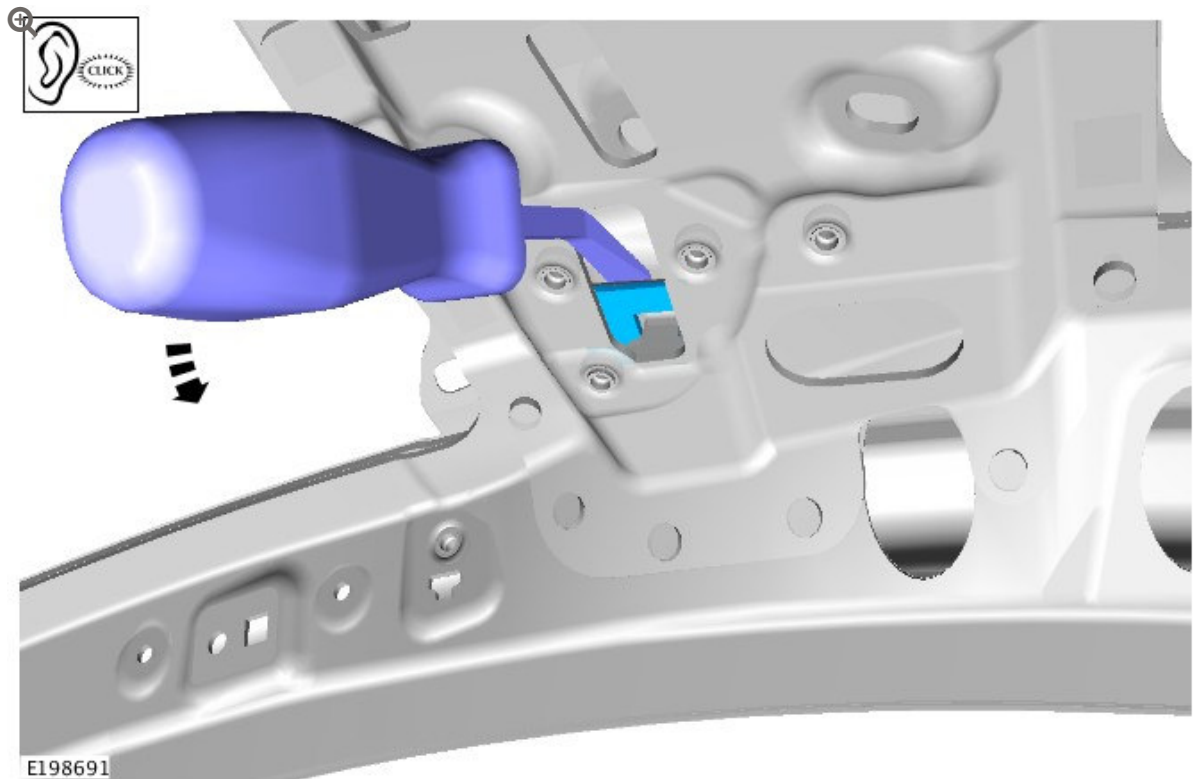
9

**WARNING:**

Make sure no damage is caused to the vehicle.

**NOTE:**

Make sure all the E-coat has been broken.



Insert a suitable tool into the joint between the front header outer panel and the cant rail panel.

- 1 Pry the panels apart until an audible 'click' is heard.
  - This will separate the E-coat between the two panels.

---

10 Repeat steps 5-9 on the opposite side of the vehicle.

---

11 Install a new roof opening panel frame (see TOPIx Workshop Manual section 501-17: Roof Opening Panel - Roof Opening Panel Frame).