

JTBO0343NAS5

TECHNICAL BULLETIN

22 SEP 2017



© Jaguar Land Rover North America, LLC

NOTE: The information in Technical Bulletins is intended for use by trained, professional Technicians with the knowledge, tools, and equipment required to do the job properly and safely. It informs these Technicians of conditions that may occur on some vehicles, or provides information that could assist in proper vehicle service. The procedures should not be performed by 'do-it-yourselfers'. If you are not a Retailer, do not assume that a condition described affects your vehicle. Contact an authorized Jaguar service facility to determine whether this bulletin applies to a specific vehicle.

INFORMATION

This reissue replaces all previous versions. Please destroy all previous versions.

Changes are highlighted in blue

SECTION:

501-14: Handles, Locks, Latches and Entry Systems

SUBJECT/CONCERN:

Smart Key Handset - Lower-Level Service Repair

AFFECTED VEHICLE RANGE:

MODEL:	MODEL YEAR:	VIN:	ASSEMBLY PLANT:
F-TYPE (X152)	2014 Onwards	K00003 Onwards	Castle Bromwich
XF (X250)	2013-2015	S48437-U88785	Castle Bromwich
XJ Range (X351)	2013 Onwards	V34340 Onwards	Castle Bromwich

MARKETS:

NORTH AMERICA

CONDITION SUMMARY:**SITUATION:**

The face of the Smart key handset may peel away from the handset main body or the handset case may be bulging.

CAUSE:

This may be caused by the handset manufacturing process.

NOTE:

Replace only the affected Smart key handset; it is not necessary to replace both handsets.
All customer handsets must match after the conclusion of the repair.

ACTION:

Should the customer express this concern, follow the Workshop Procedure outlined below.

PARTS:

PART NUMBER	DESCRIPTION	QUANTITY:
--------------------	--------------------	------------------

PART NUMBER	DESCRIPTION	QUANTITY:
C2D39384	Smart key kit - Gloss finish	1
C2D39385	Smart key kit - Matte finish	1

WARRANTY:
NOTES:

- Repair procedures are under constant review, and therefore times are subject to change; those quoted here must be taken as guidance only. Always refer to TOPIx to obtain the latest repair time.
- The JLR Claims Submission System requires the use of causal part numbers. Labor only claims must show the causal part number with a quantity of zero

DESCRIPTION	SRO	TIME (HOURS)	CONDITION CODE	CAUSAL PART
Casing - Handset/Smart key - Renew - One - F-TYPE (X152)	86.52.44	0.1	49	T2R10494
Casing - Handset/Smart key - Renew - One - XF (X250), XJ (X351)	86.52.44	0.1	49	C2D18085

NOTE:

Normal Warranty procedures apply.

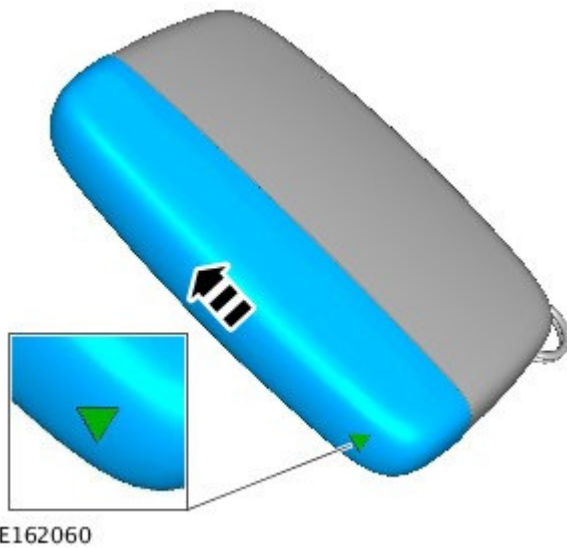
WORKSHOP PROCEDURE:
NOTES:

Refer to SSM71619 [Smart key low level repair, animation of process] to view the animation file.

- Replace only the affected Smart key handset; it is not necessary to replace both handsets. All customer handsets must match at the conclusion of the repair.

- 1 Identify the type of Smart key handset currently fitted -- 'matte' or 'gloss' -- to the vehicle to ensure a like-for-like replacement handset is fitted.

2



Remove the chrome cap; place to one side.

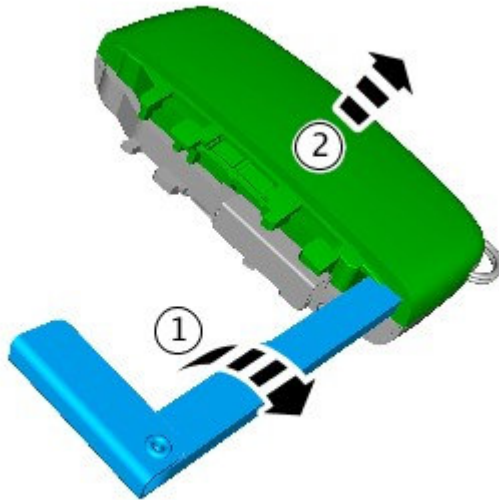
3



E162061

Remove the emergency key blade.

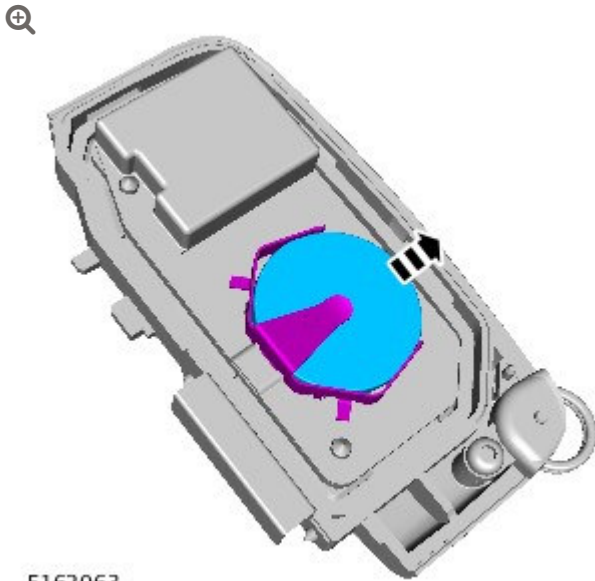
4



E162062

Use the emergency key blade to remove and discard the lower case.

5

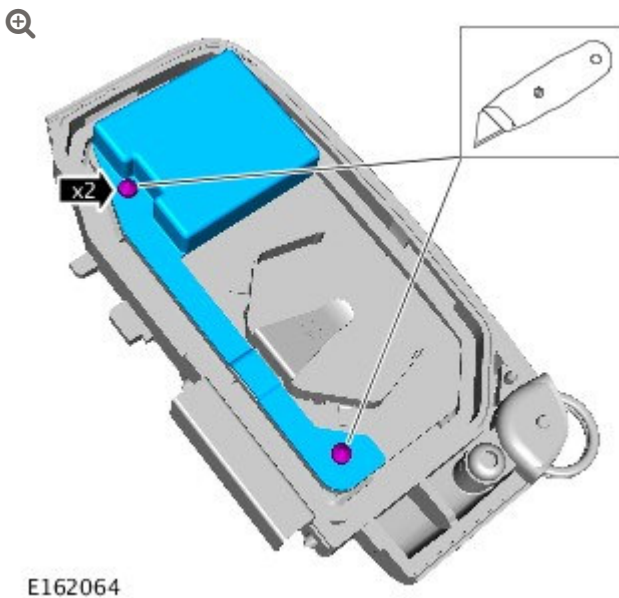


Remove the battery from the upper case; place to one side.

6

CAUTION:

Make sure the Printed Circuit Board [PCB] is not damaged when removing the black anti-tamper cover. If the copper coil antenna is damaged, the unit will be unserviceable.

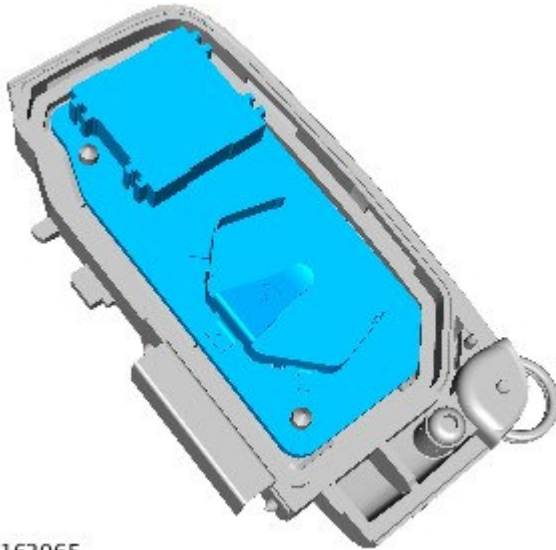


Use a suitable tool to cut the fixings of the black anti-tamper cover and lift away from the Printed Circuit Board (PCB).

7

CAUTION:

Handle only the outer edges of the board when removing the PCB.



E162065

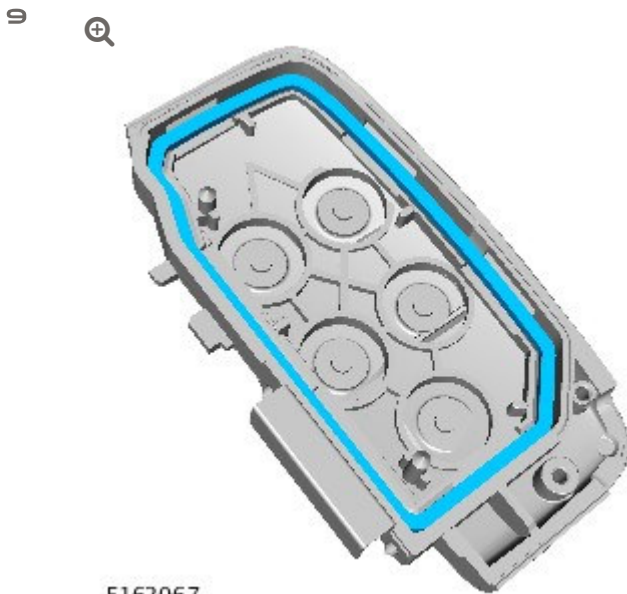
Remove the PCB; place to one side.

8



E162066

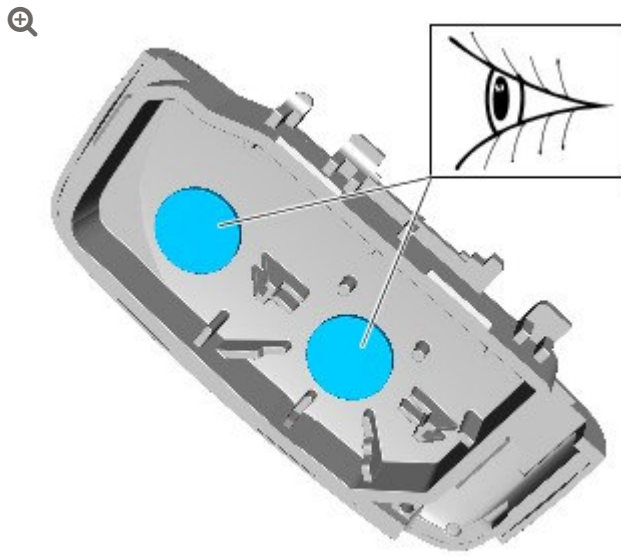
Remove the key ring retainer; place to one side.



E162067

Remove the silicone seal from the lower case; place to one side.

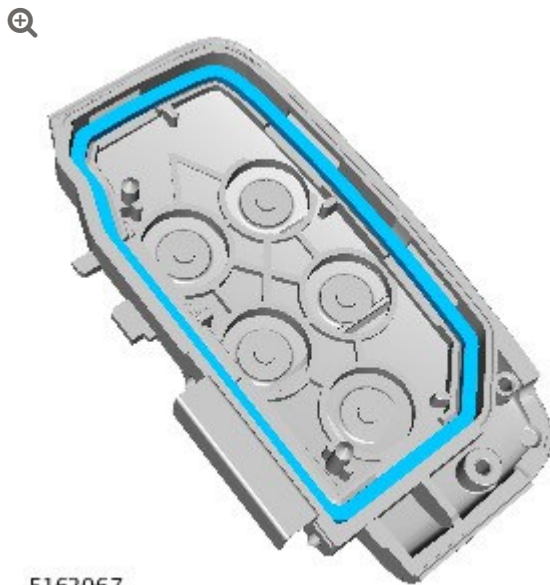
- 1 Discard the upper case.
-



E162068

Make sure the foam pads are correctly installed in the lower case as shown.

11



E162067

Install the silicone seal to the upper case.

12



Install the key ring retainer to the upper case:

- Torque: **1Nm**.

13



Make sure the key ring retaining pin is correctly located in the upper case.

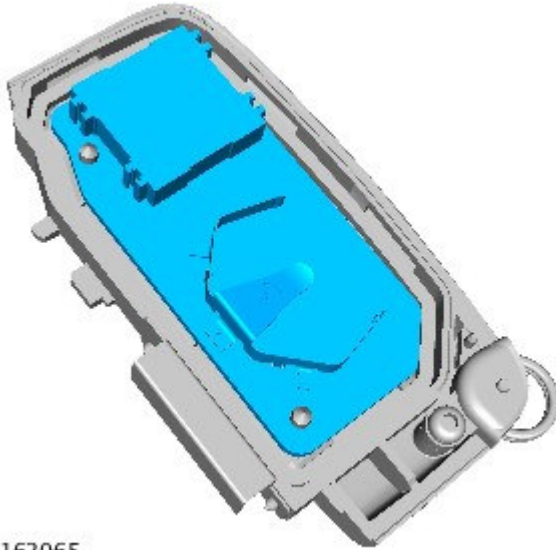
14

CAUTION:

Handle only the outer edges of the board when installing the PCB.

NOTE:

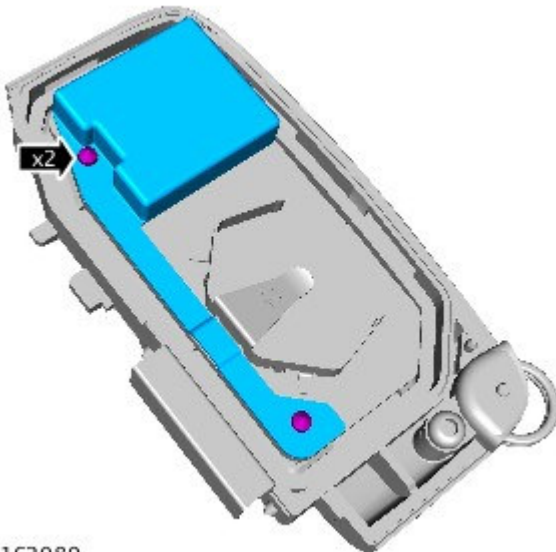
The PCB and cover are held in position with the foam pads on the new upper case.



E162065

Install the PCB to the upper case.

15



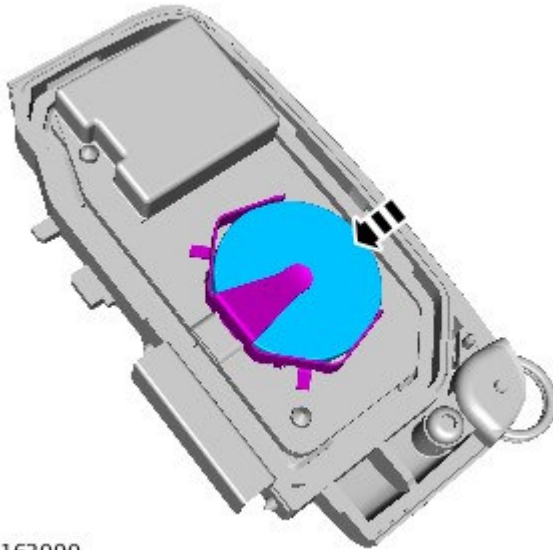
E162089

Install the PCB anti-tamper cover.

16

NOTE:

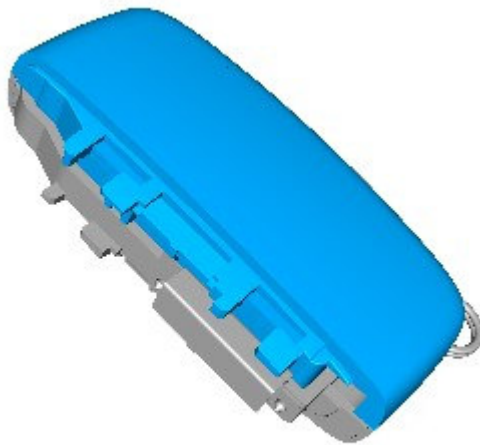
Make sure the battery is installed positive [+] side up.



E162090

Install the battery to the upper case.

17



E162088

Install the lower case onto the handset.

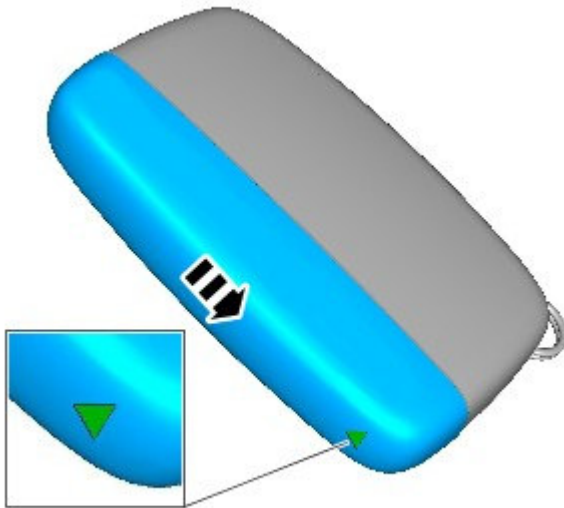
18



E162092

Install the emergency key blade.

19



E162091

Install the chrome cap.

20 Check the operation of the Smart key handset [all functions].

21 Perform steps 2-20 [if necessary] to additional Smart key handsets.