

LTB01091NAS1



TECHNICAL BULLETIN

22 AUG 2017

© Jaguar Land Rover North America, LLC

NOTE: The information in Technical Bulletins is intended for use by trained, professional Technicians with the knowledge, tools, and equipment required to do the job properly and safely. It informs these Technicians of conditions that may occur on some vehicles, or provides information that could assist in proper vehicle service. The procedures should not be performed by 'do-it-yourselfers'. If you are not a Retailer, do not assume that a condition described affects your vehicle. Contact an authorized Land Rover service facility to determine whether this bulletin applies to a specific vehicle.

INFORMATION

SECTION:

307-05: Automatic Transmission/Transaxle External Controls

SUBJECT/CONCERN:

Transmission Heatshield Mounting Bracket Cracked

AFFECTED VEHICLE RANGE:

| MODEL: | MODEL YEAR: | VIN: | ASSEMBLY PLANT: | APPLICABILITY: |
|------------------------|--------------|----------------|-----------------|---|
| LR4 (LA) | 2014-2016 | 679426-847658 | Solihull | V6 S/C 3.0L Petrol |
| Discovery (LR) | 2017 Onwards | 000127 Onwards | Solihull | V6 S/C 3.0L Petrol |
| Range Rover Sport (LW) | 2014 | 000002-001205 | Solihull | V6 S/C 3.0L Petrol /V8 S/C 5.0L Petrol |
| Range Rover Sport (LW) | 2014 | 300003-399999 | Solihull | V6 S/C 3.0L Petrol /V8 S/C 5.0L Petrol |
| Range Rover Sport (LW) | 2014-2016 | 500005-599998 | Solihull | V6 S/C 3.0L Petrol /V8 S/C 5.0L Petrol |
| Range Rover Sport (LW) | 2014 Onwards | 600007 Onwards | Solihull | V6 S/C 3.0L Petrol /V8 S/C 5.0L Petrol |
| Range Rover Sport (LW) | 2016 Onwards | 100000 Onwards | Solihull | V6 S/C 3.0L Petrol /V8 S/C 5.0L Petrol |
| Range Rover (LG) | 2013 Onwards | 000010 Onwards | Solihull | V6 S/C 3.0L Petrol /V8 N/A 5.0L Petrol/V8 S/C 5.0L Petrol |

MARKETS :

NORTH AMERICA

CONDITION SUMMARY :

SITUATION:

A rattle/vibration noise may be evident from under the vehicle when driving on an uneven road surface.

CAUSE:

This may be caused by the transmission heatshield bracket being cracked around the mounting point.

ACTION:

Should a customer express this concern, follow the Workshop Procedure below.

PARTS:**NOTE:**

2017MY vehicles with V6 3.0L S/C Petrol - only Transmission heatshield (LR106479) is required.

| PART NUMBER | DESCRIPTION | QUANTITY: |
|-------------|-------------------------|-----------|
| LR106479 | Transmission heatshield | 1 |
| FS106126 | M6 bolt | 1 |
| TYC500140 | Clip | 2 |
| FN106046 | M6 nut | 1 |
| LR110225 | M6xM5 stud bolt | 1 |
| LR110224 | Plastic fixing | 1 |

TOOLS:

Refer to Workshop Manual for any required special tools.

WARRANTY:**NOTES:**

- Repair procedures are under constant review, and therefore times are subject to change; those quoted here must be taken as guidance only. Always refer to TOPIx to obtain the latest repair time.

- The JLR Claims Submission System requires the use of causal part numbers. Labor only claims must show the causal part number with a quantity of zero

| DESCRIPTION | SRO | TIME (HOURS) | CONDITION CODE | CAUSAL PART |
|---|-------------|--------------|----------------|-------------|
| Transmission heatshield - Modification - All except 2017MY vehicles with V6 3.0L S/C Petrol | 44.90.89.41 | 0.5 | 01 | LR073535 |
| Transmission heatshield - Modification - 2017MY vehicles with V6 3.0L S/C Petrol only | 44.90.89.41 | 0.4 | 01 | LR073535 |

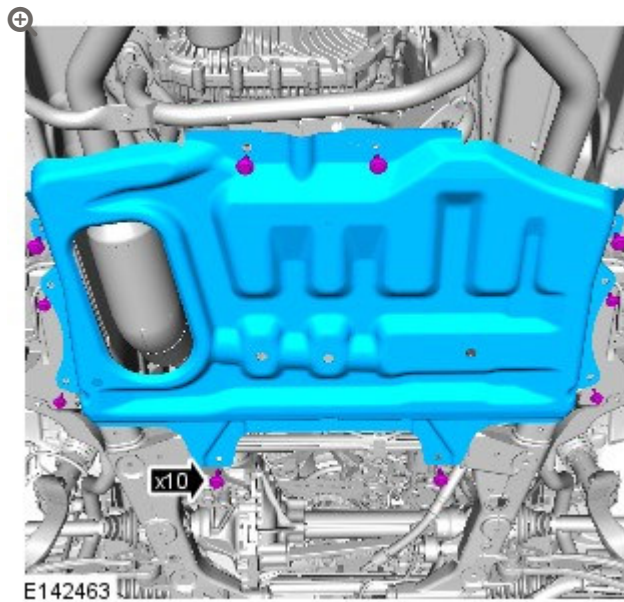
NOTE:

Normal Warranty procedures apply.

SERVICE INSTRUCTION:

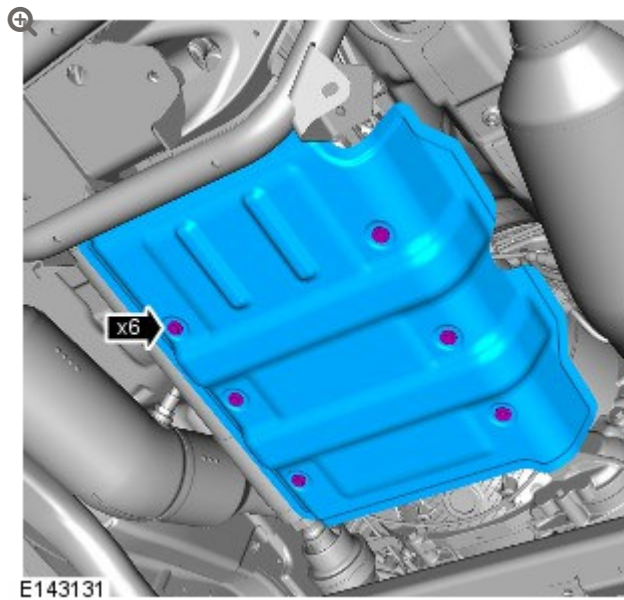
-
- 1 Raise and support the vehicle (see TOPIx Workshop Manual section 100-02: Jacking and lifting - Lifting).

2



Remove the transmission undershield.

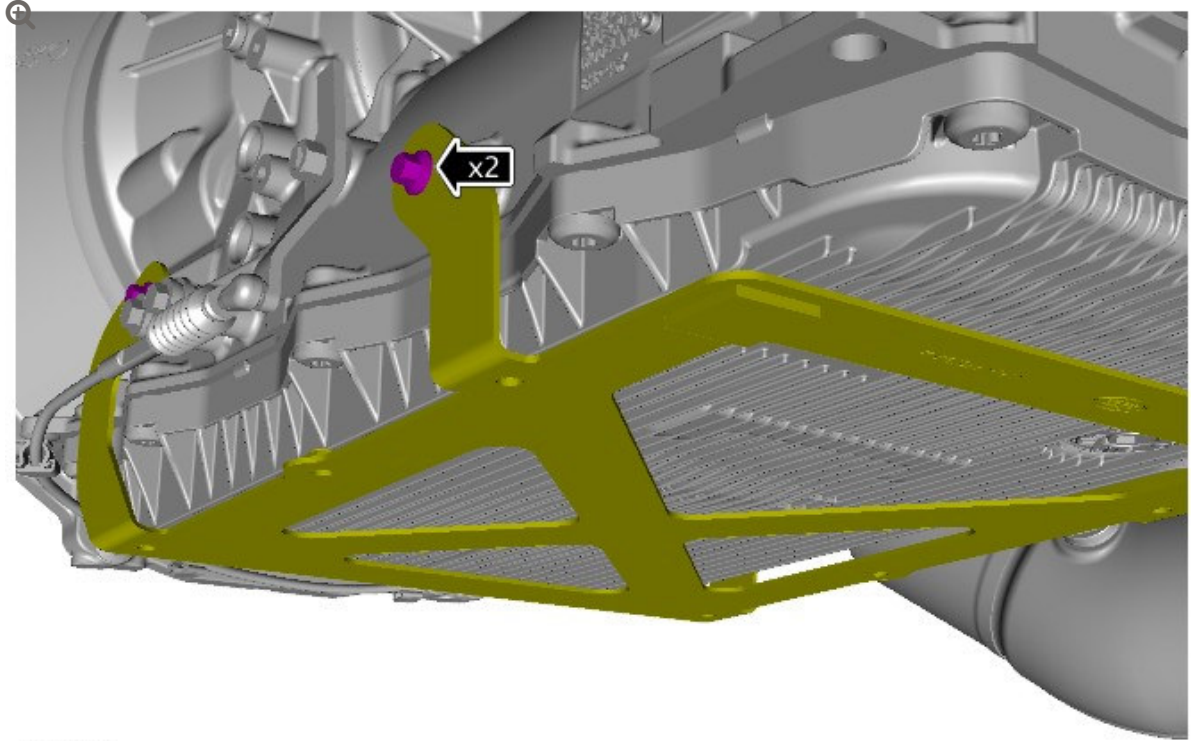
3



Remove the transmission heatshield retaining bolts.

- Retain 2 of the bolts; discard the remaining 4 bolts.
- Remove and discard the transmission heatshield.

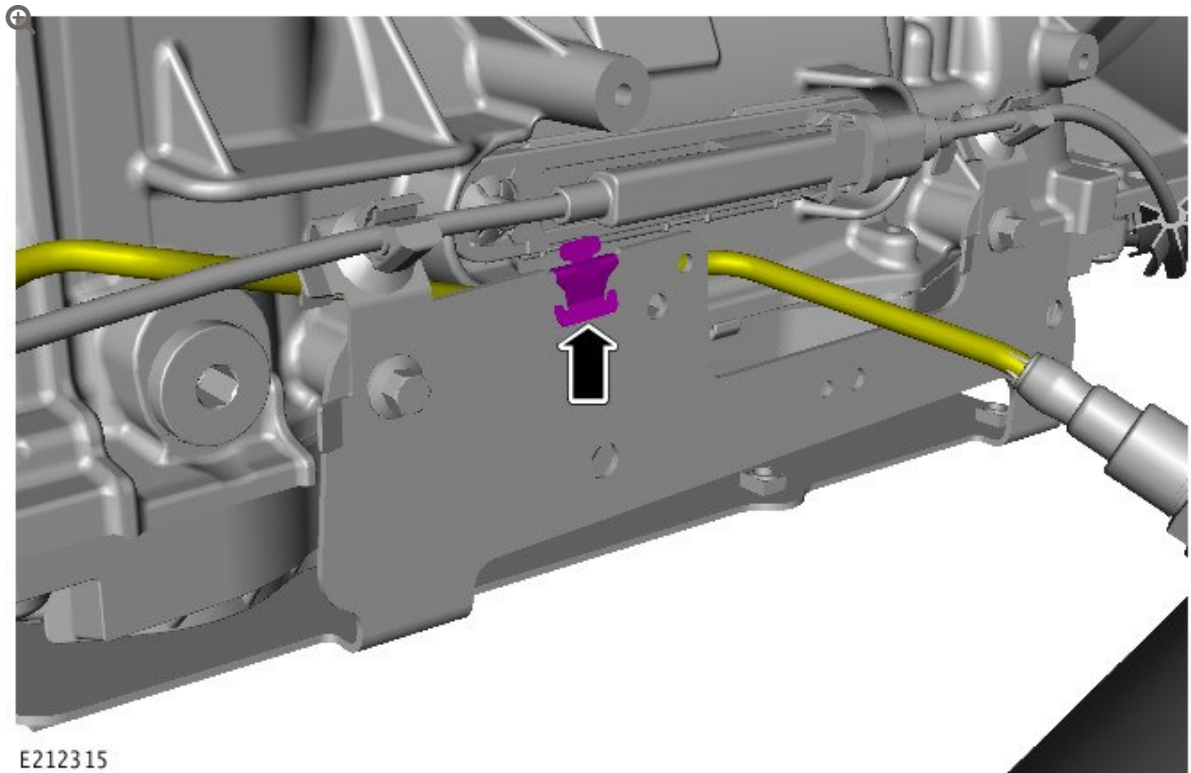
4



E212312

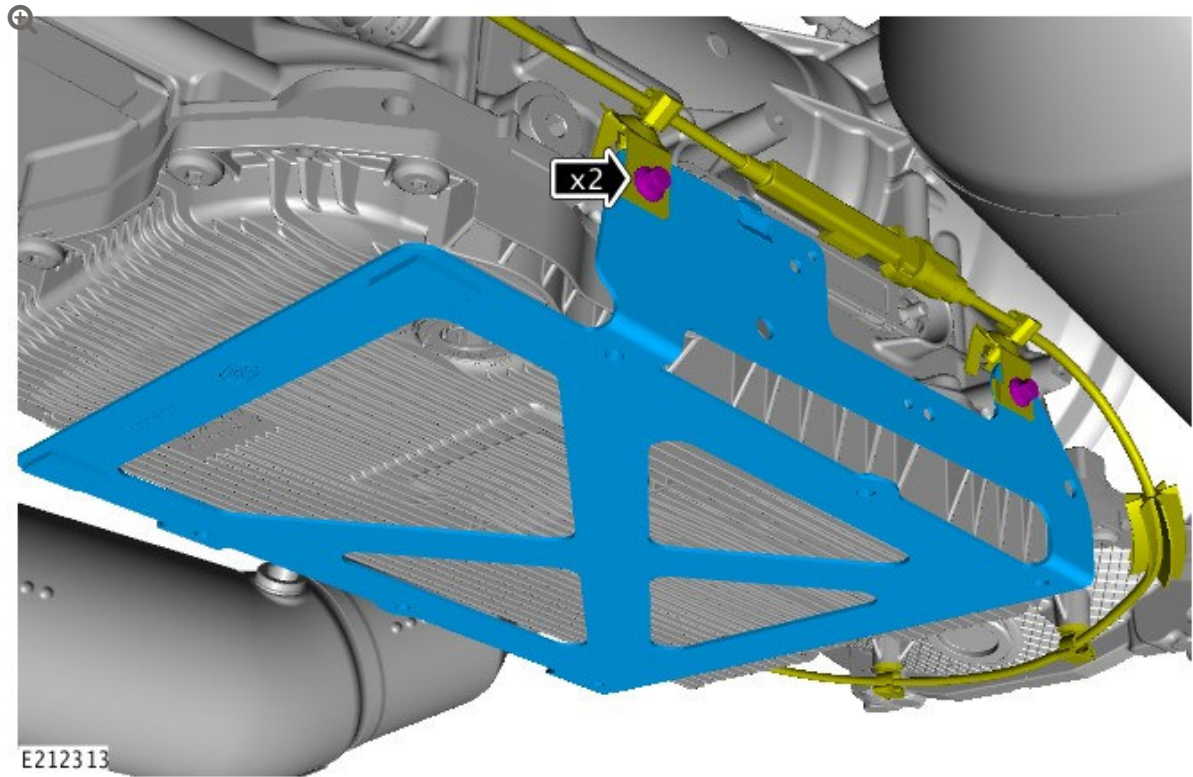
Remove the transmission heatshield mounting bracket retaining bolts.

5



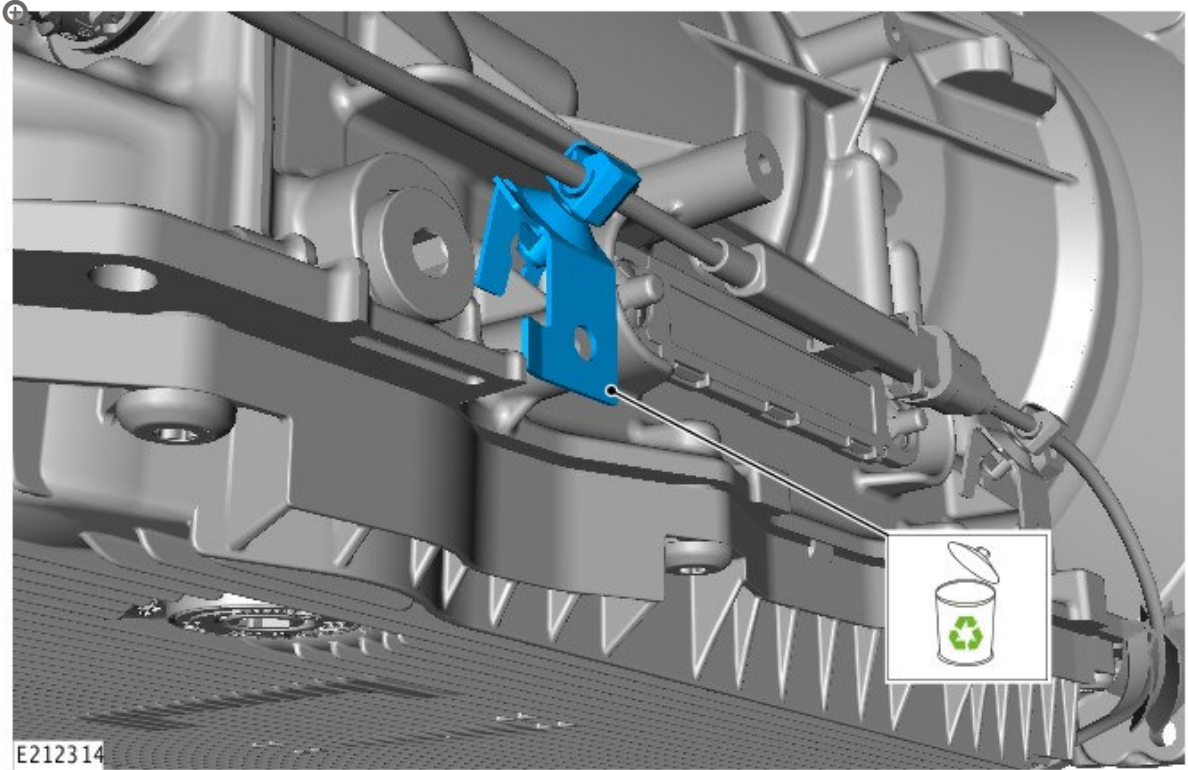
Release the Heated Oxygen Sensor (HO2S) electrical wiring harness from the retaining clip.

- 1** 2017MY vehicles with V6 3.0L S/C Petrol - once completed, go to Step 13.
- 2** All except 2017MY vehicles with V6 3.0L S/C Petrol - go to the Step 6.

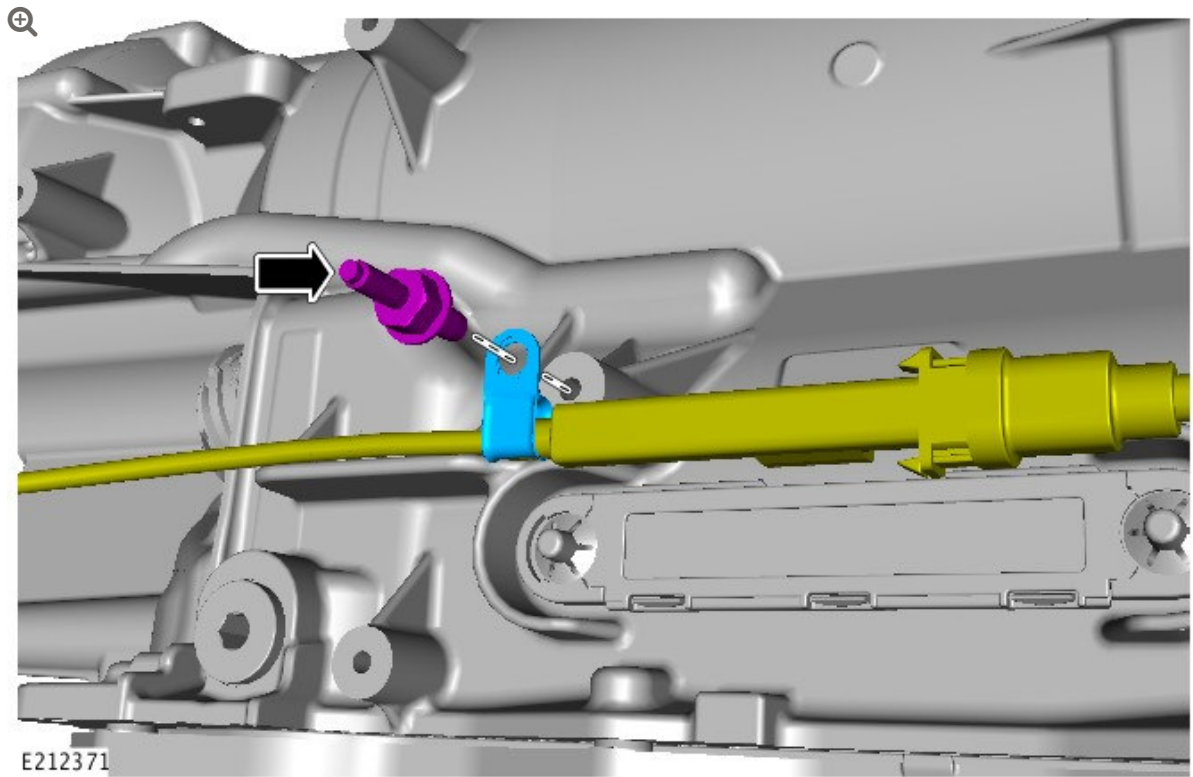


Remove the transmission heatshield mounting bracket retaining bolts.

- Position the Emergency Park Release (EPR) cable to the side.
- Remove and discard the transmission heatshield mounting bracket.

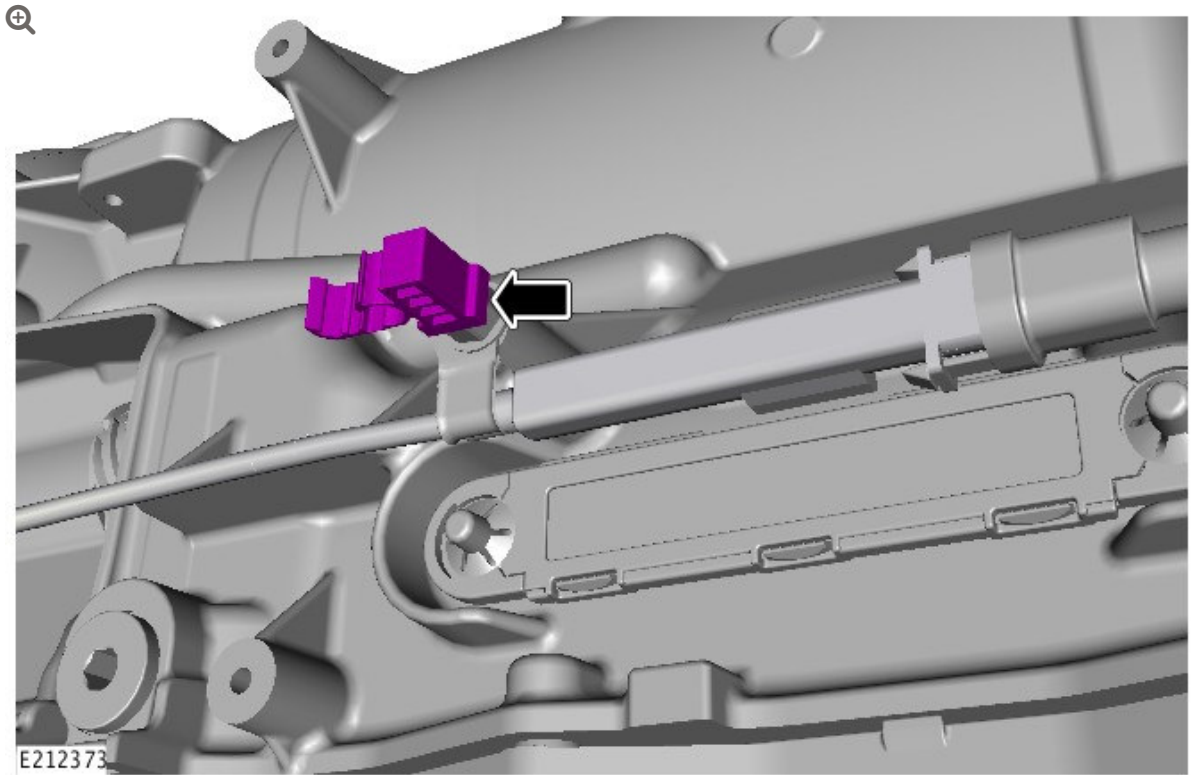


Remove and discard the EPR cable rear mounting bracket.

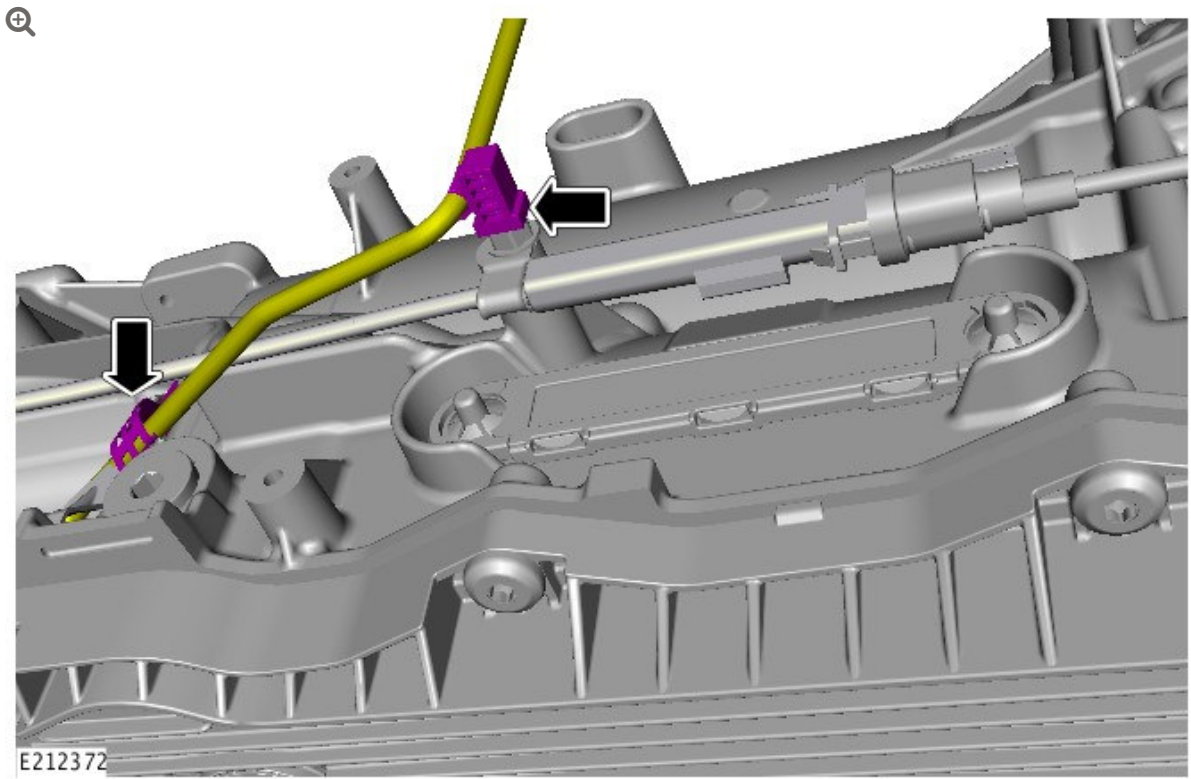


Install the EPR cable as shown.

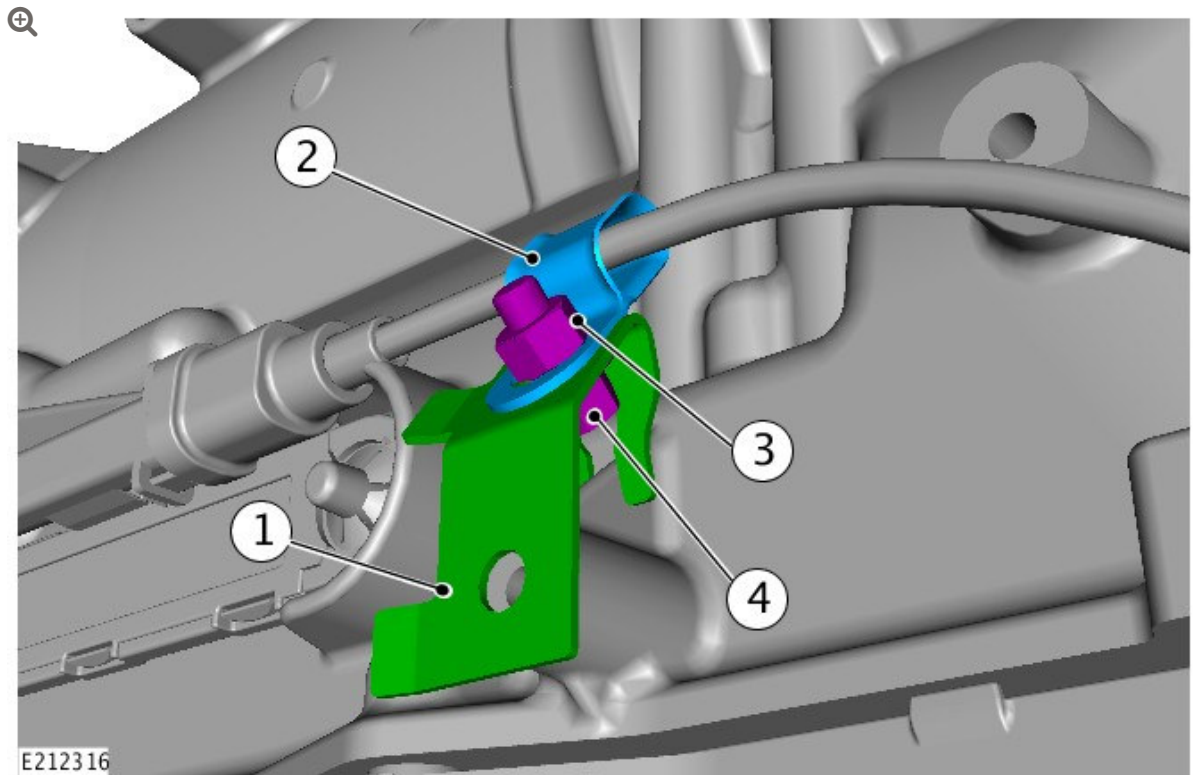
- Torque: **9 Nm.**



Install the HO2S electrical wiring harness retaining clip.



Install the HO2S electrical wiring harness.



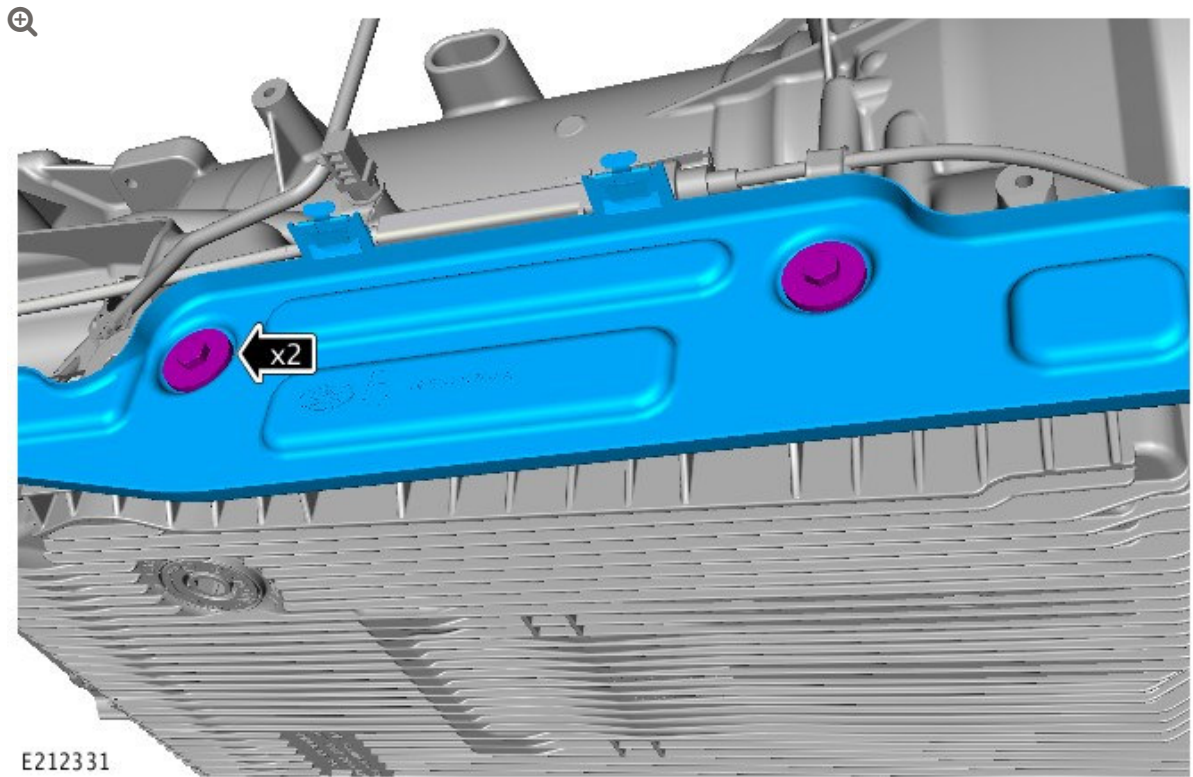
Install the EPR cable mounting bracket as shown:

- 1 Mounting bracket
 - 2 P-clip
 - 3 M6 nut
 - 4 M6 bolt
- Torque: **9 Nm.**

12

NOTE:

Install the transmission heatshield using the retaining bolts removed in step 3.



Install the transmission heatshield

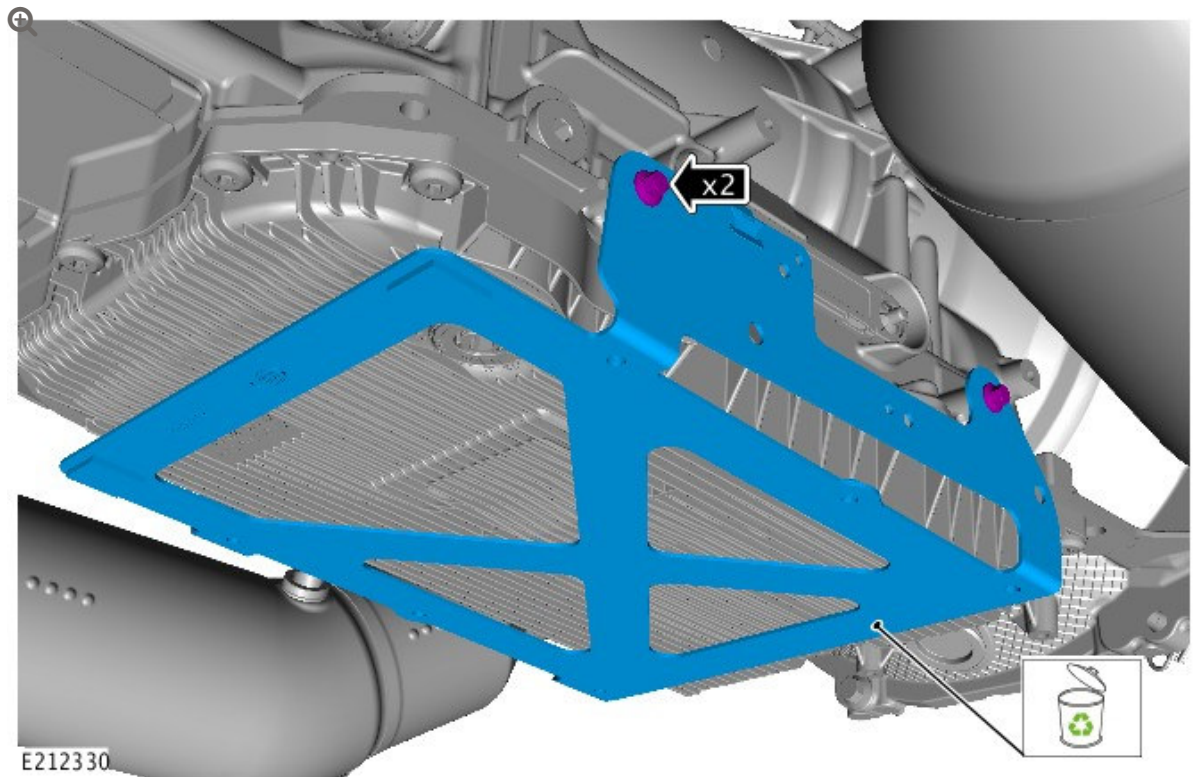
- Torque: **9 Nm**.

1 Once completed, go to Step 15.

13

NOTE:

2017MY vehicles with V6 3.0L S/C Petrol only.



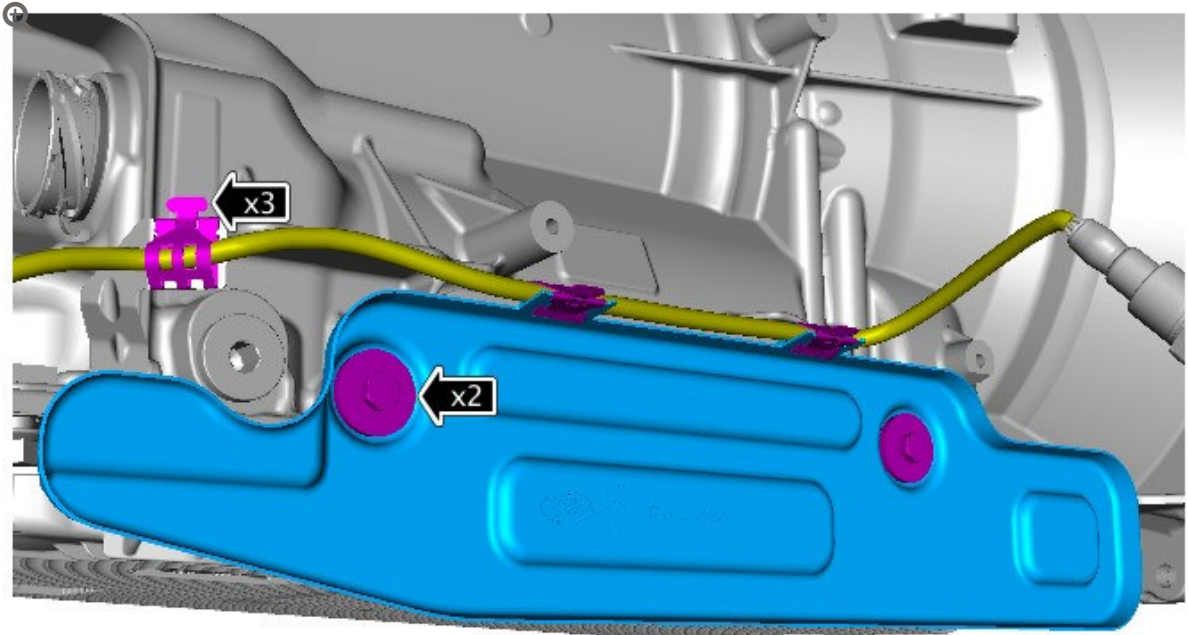
Remove the transmission heatshield mounting bracket retaining bolts.

- Remove and discard the transmission heatshield mounting bracket.

14

NOTE:

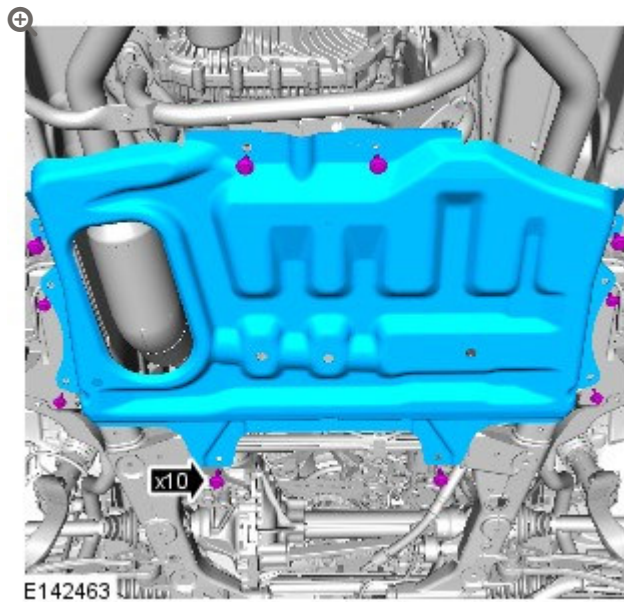
Install the transmission heatshield using the 2 bolts retained in Step 3.



E212321

Install the transmission heatshield.

- Install the HO2S electrical wiring harness.
- Torque: **9 Nm** .



Install the transmission undershield.

- Torque:
 - M10: **60 Nm.**
 - M6: **10 Nm.**

-
- 16 Lower the vehicle (see TOPIx Workshop Manual section 100-02: Jacking and lifting - Lifting).