

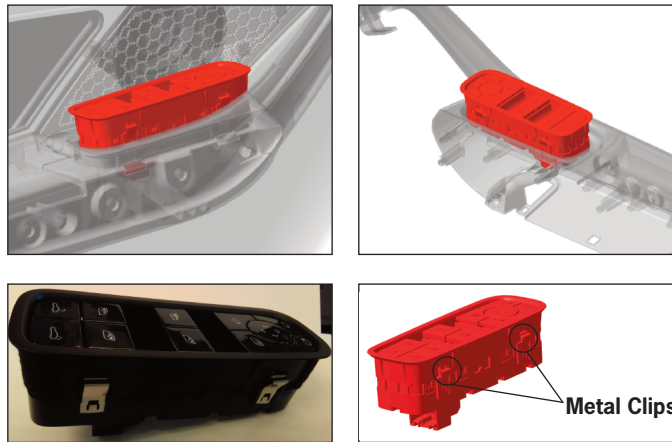
Removing Power Window Switch G2

Vehicle Type: **Panamera (971)**

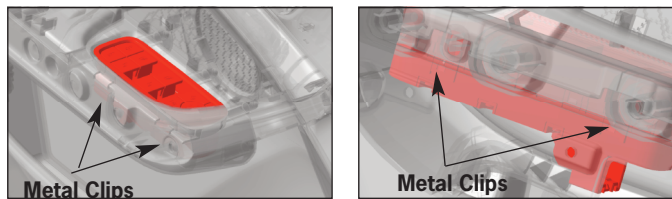
Model Year: **2017**

Information: The below instructions take the place of "WM 645819 Removing and installing switch for power windows" until such time as the WM is modified to include these instructions.

Overview of the clamping elements (metal clips) in installed position



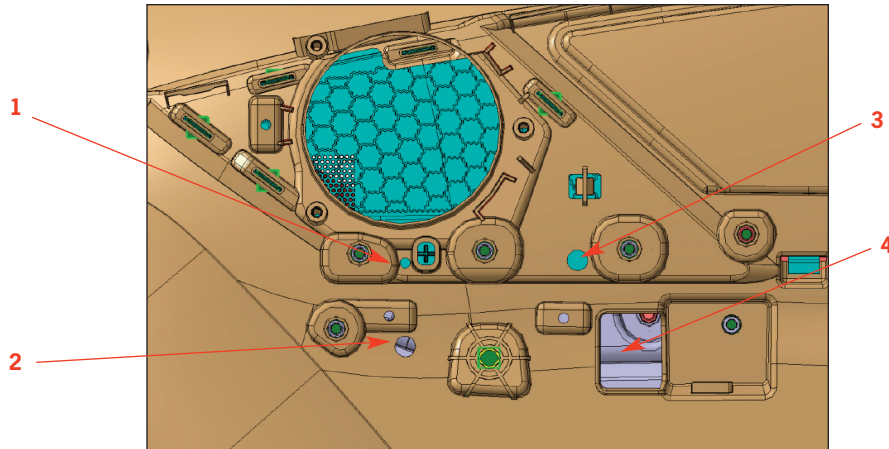
Overview: Unlocking the clamping elements (metal clips)



**Special-purpose solution to remove the power window switch**

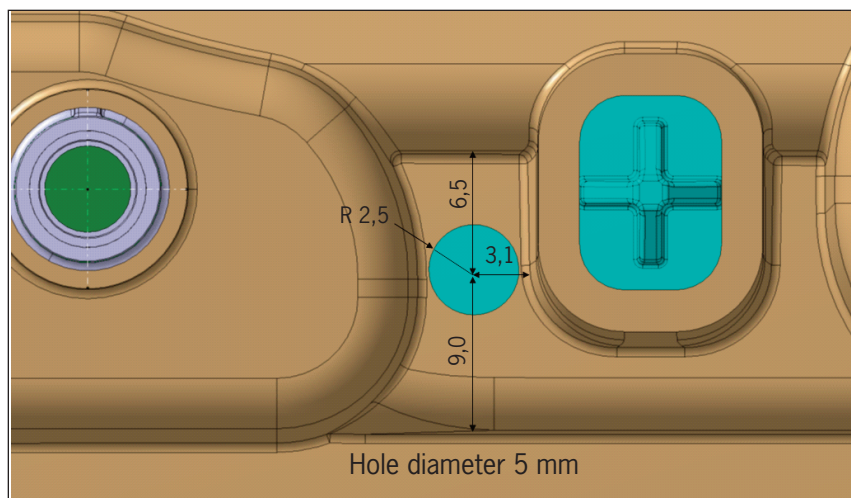
**Temporary use until availability of final solution**

- It is necessary to drill 3 holes into the inner shell of the door panel to get access to the fixing clips.
- 3 clips can be unlocked via the holes (1-3), the 4th clip can be unlocked via the opening (4)



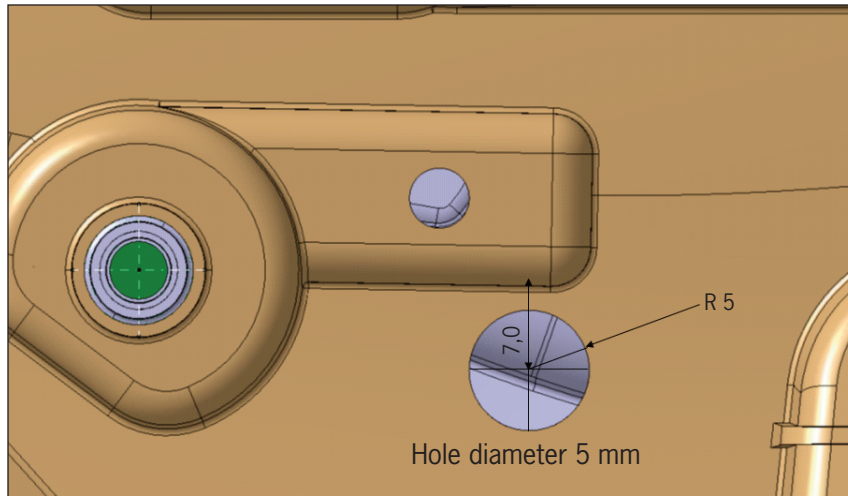
**Position Hole (1)**

Measurement (in mm)



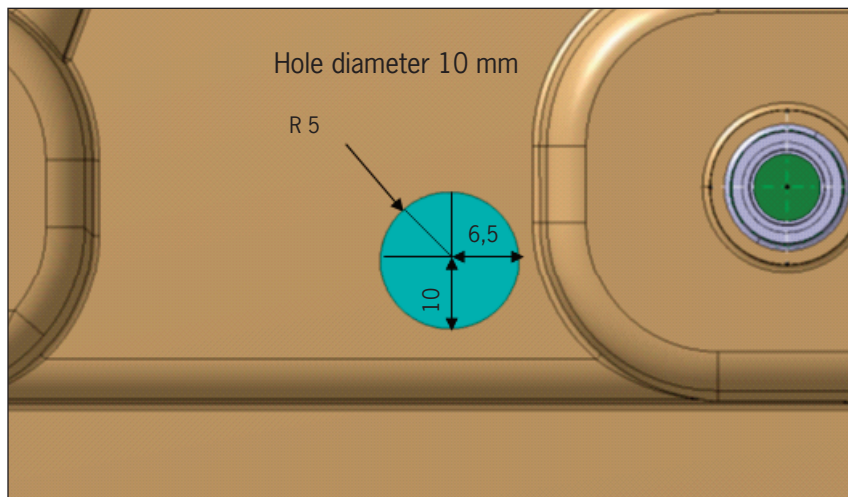
**Position Hole (2)**

Measurement (in mm)



**Position Hole (3)**

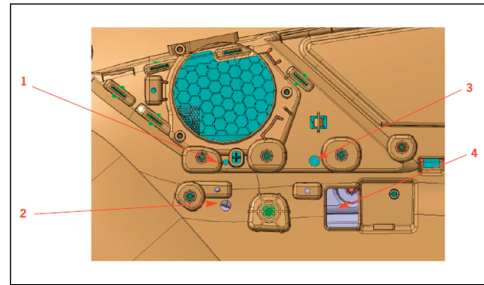
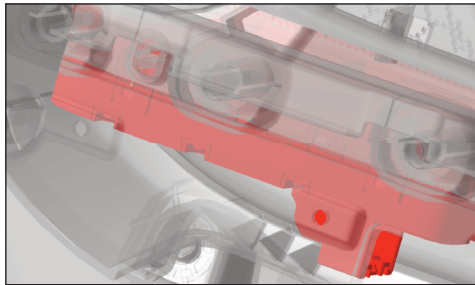
Measurement (in mm)



**Unlocking the clamping elements (metal clips)**

- 1) Press the switch console upwards while unlocking the clips.
- 2) Unlock two of the clips with a screwdriver through the holes (1) and (3).
- 3) Unlock the 3rd clip using an angular Allen® key through hole (2)
- 4) Unlock the 4th clip through the opening (4) and remove the switch console upwards.

The clamping elements (metal clips) are available seperately in PET.



Dealership	Service Manager	_____	Shop Foreman	_____	Service Technician	_____	_____	_____	_____
Distribution	Asst. Manager	_____	Warranty Admin.	_____	Service Technician	_____	_____	_____	_____
Routing									

Dr. Ing. h.c. F. Porsche AG is the owner of numerous trademarks, both registered and unregistered, including without limitation the Porsche Crest®, Porsche®, Boxster®, Carrera®, Cayenne®, Cayman®, Macan®, Panamera®, Speedster®, Spyder®, Tiptronic®, VarioCam®, PCM®, PDK®, 911®, RS®, 4S®, 718®, 918 Spyder®, FOUR UNCOMPROMISED®, and the model numbers and distinctive shapes of the Porsche automobiles such as, the federally registered 911 and Boxster automobiles. The third party trademarks contained herein are the properties of their respective owners. Porsche Cars North America, Inc. believes the specifications to be correct at the time of printing. However, specifications, standard equipment and options are subject to change without notice. Some options may be unavailable when a car is built. Some vehicles may be shown with non-U.S. equipment. Please ask your authorized Porsche dealer for advice concerning the current availability of options and verify the optional equipment that you ordered. Porsche recommends seat belt usage and observance of traffic laws at all times.