

JTB00551NAS1

TECHNICAL BULLETIN

27 FEB 2017



© Jaguar Land Rover North America, LLC

NOTE: The information in Technical Bulletins is intended for use by trained, professional Technicians with the knowledge, tools, and equipment required to do the job properly and safely. It informs these Technicians of conditions that may occur on some vehicles, or provides information that could assist in proper vehicle service. The procedures should not be performed by 'do-it-yourselfers'. If you are not a Retailer, do not assume that a condition described affects your vehicle. Contact an authorized Jaguar service facility to determine whether this bulletin applies to a specific vehicle.

INFORMATION

SECTION:

303-05

SUBJECT/CONCERN:

Engine Accessory Drive Idler Pulley and Belt Failure

AFFECTED VEHICLE RANGE:

MODEL:	MODEL YEAR:	VIN:	ASSEMBLY PLANT:	APPLICABILITY:
F-PACE (X761)	2017 Onwards	048690 Onwards	Castle Bromwich	V6 S/C 3.0L Petrol
F-TYPE (X152)	2017 Onwards	K36854 Onwards	Castle Bromwich	V6 S/C 3.0L Petrol /V8 S/C 5.0L Petrol
XE (X760)	2017 Onwards	944818 Onwards	Solihull	V6 S/C 3.0L Petrol
XE (X760)	2017 Onwards	P10187 Onwards	Castle Bromwich	V6 S/C 3.0L Petrol
XF (X260)	2016 Onwards	Y23164 Onwards	Castle Bromwich	V6 S/C 3.0L Petrol
XJ Range (X351)	2016 Onwards	V98046 Onwards	Castle Bromwich	V6 S/C 3.0L Petrol /V8 S/C 5.0L Petrol

MARKETS:

NORTH AMERICA

CONDITION SUMMARY:**SITUATION:**

A rubbing type noise from the engine compartment may be evident; the coolant temperature gauge may display a high temperature reading; and/or the battery warning light may be illuminated.

CAUSE:

This may be caused by the engine accessory drive belt becoming damaged due to engine accessory drive primary right-hand idler pulley failure.

ACTION:

Should a Customer express this concern, follow the Service Instruction below.

PARTS:

PART NUMBER	DESCRIPTION	QUANTITY:
C2D54189	Accessory drive belt idler pulley assembly	1
T2H3354	Accessory drive belt - F-PACE (X761)	1
T2H3354	Accessory drive belt - F-TYPE (X152 up to VIN K25725)	1
T2R18722	Accessory drive belt - F-TYPE (X152 from VIN K25726)	1
T2R10142	Accessory drive belt - F-TYPE (X152 up to VIN K15187)	1
T2H3354	Accessory drive belt - XE (X760)	1
T2H3354	Accessory drive belt - XF (X260; V6 3.0L S/C Petrol)	1
T2R10142	Accessory drive belt - XF (X260 from VIN U04718; V6 3.0L S/C Petrol; V8 5.0L S/C Petrol)	1
T2R10142	Accessory drive belt - XJ (X351 VIN V58603-V90865; V6 3.0L S/C Petrol)	1
T2R10142	Accessory drive belt - XJ (X351 from VIN V58603; V8 5.0L S/C Petrol)	1
T2R10142	Accessory drive belt - XJ (X351 AWD from VIN V90866)	1
T2H3354	Accessory drive belt - XJ (X351 RWD from VIN V90866; V6 3.0L S/C Petrol)	1

WARRANTY:**NOTE:**

Accessory drive belt may be referred to as Front End Accessory Drive (FEAD) belt.

NOTES:

- Repair procedures are under constant review, and therefore times are subject to change; those quoted here must be taken as guidance only. Always refer to TOPIx to obtain the latest repair time.
- DDW requires the use of causal part numbers. Labor only claims must show the causal part number with a quantity of zero.

DESCRIPTION	SRO	TIME (HOURS)	CONDITION CODE	CAUSAL PART
Drive Belt - Front End Accessory Drive - Renew - F-PACE (X761)	12.10.40	0.6	42	C2D21151
Drive Belt - Front End Accessory Drive - Renew - F-TYPE (X152)	12.10.40	0.8	42	C2D21151
Drive Belt - Front End Accessory Drive - Renew - XE (X760)	12.10.40	0.6	42	C2D21151
Drive Belt - Front End Accessory Drive - Renew - XF (X260)	12.10.40	0.6	42	C2D21151
Drive Belt - Front End Accessory Drive - Renew - XJ (X351)	12.10.40	0.7	42	C2D21151
Idler Pulley - Right Hand - Front End Accessory Drive - Renew - F-TYPE (X152); XJ (X351)	12.10.39	0.3	42	C2D21151
Idler Pulley - Right Hand - Front End Accessory Drive - Renew - F-PACE (X761); XE (X760); XF (X260)	12.10.39	0.2	42	C2D21151

NOTE:

Normal Warranty procedures apply.

SERVICE INSTRUCTION:

1

NOTE:

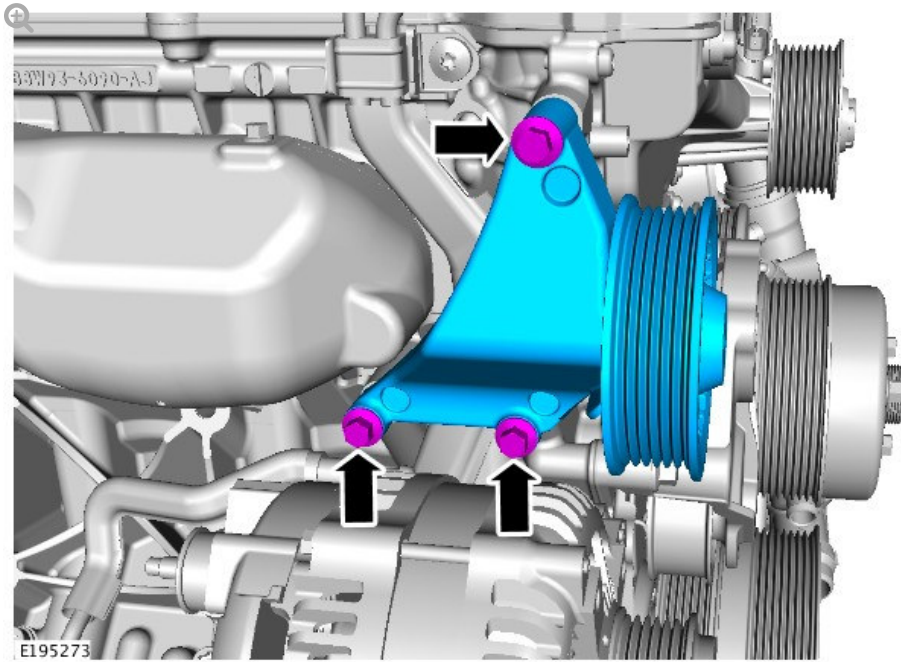
Note the fitted position of the accessory drive belt.

Remove and discard the accessory drive belt (see TOPIx Workshop Manual section 303-05: Accessory Drive - Accessory Drive Belt).

2

NOTE:

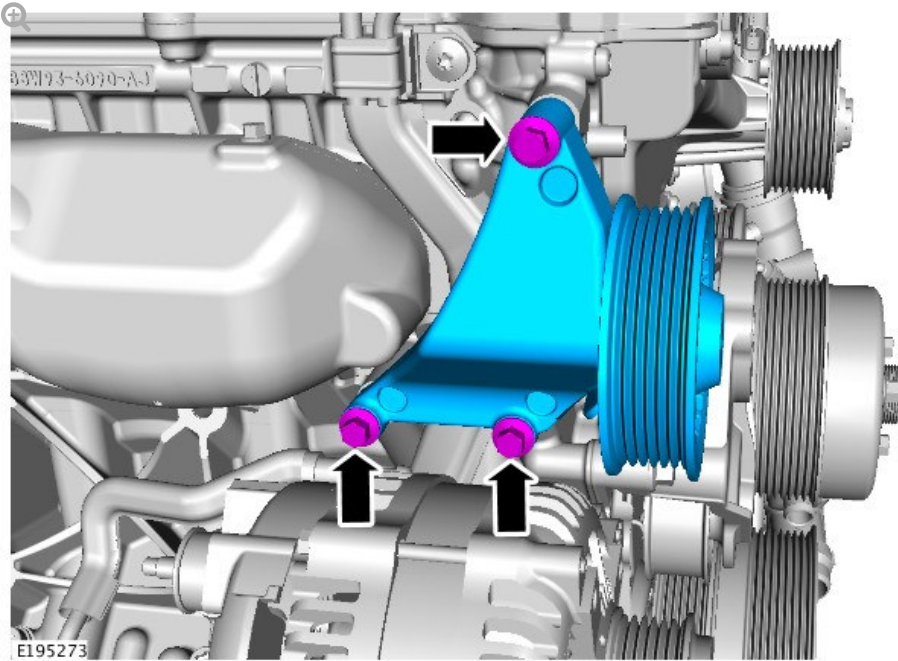
The fasteners must be retained.



Remove and discard the idler pulley and bracket assembly.

- Retain the fasteners.

3



Install the new idler pulley and bracket assembly.

- Torque: **25Nm**.

-
- 4 Install a new accessory drive belt (see TOPIx Workshop Manual section 303-05: Accessory Drive - Accessory Drive Belt).