

DAS (Display Audio Smartphone Link) Part Number Inspection

DATE: June 2, 2017

TO: Mitsubishi Motors Dealer Service and Parts Managers

.....

AFFECTED VEHICLES: Certain 2017 Lancer SAM & 2017 Outlander Sport SAM

LABOR OPERATION/TIME ALLOWANCE:

Operation	Operation Code	Time Allowance
DAS Part Number Inspection	547055J1	0.2 hrs
Lancer DAS Update Part Number	547055J2	0.6 hrs
Outlander Sport DAS Update Part Number	547055J3	0.4 hrs

INSTRUCTIONS: 2017 Lancer SAM

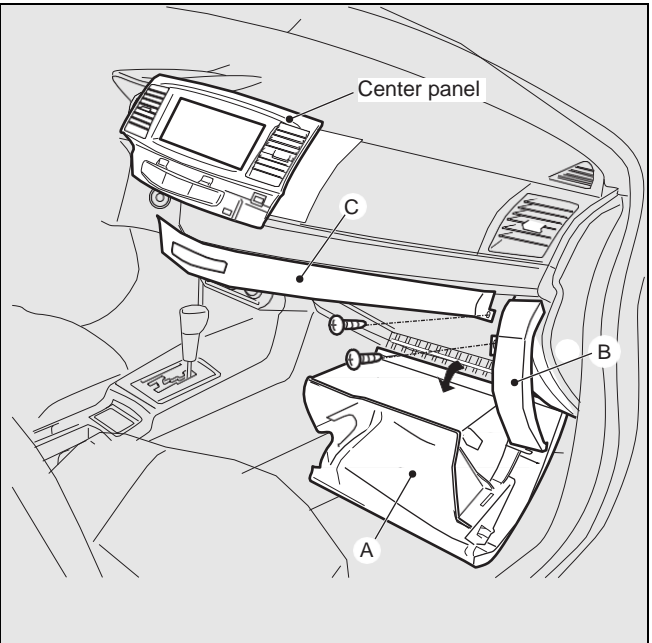
1. Confirm VIN is applicable for this procedure.

NOTE: Affected VINs will be provided in a separate file.

2. Remove the vehicle parts in the order A, B, C as indicated.

- Detach the center panel, but **DO NOT** disconnect the connector.
- Hold the center panel in place while conducting the inspection.

NOTE: Ensure that the white clips stay attached to the panels and trim when removed. If necessary, remove them from the dash and reattach to the panels/trim before reinstalling.

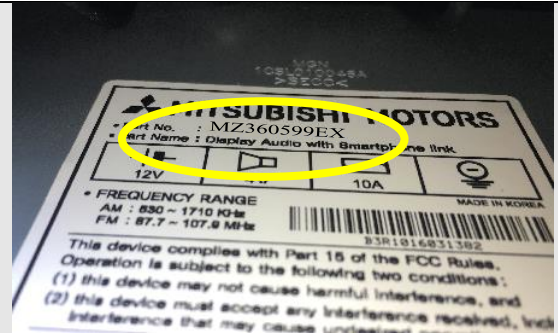


3. Locate the DAS audio label part number.



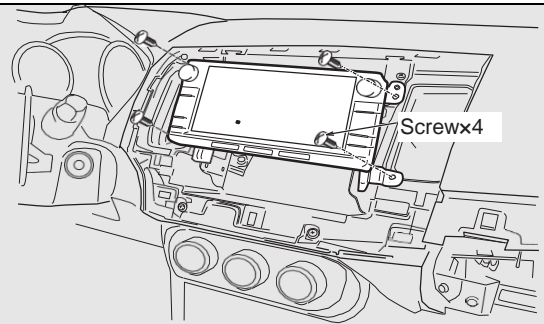
4. The 2017MY Lancer SAM correct part number is MZ360599EX.

- **OK** = Go to step 6.
- **NG** = Call Techline @ (800) 446-6064 for additional instructions. Then go to step 5.



5. **ONLY** after following all Techline instructions, conduct the following steps.

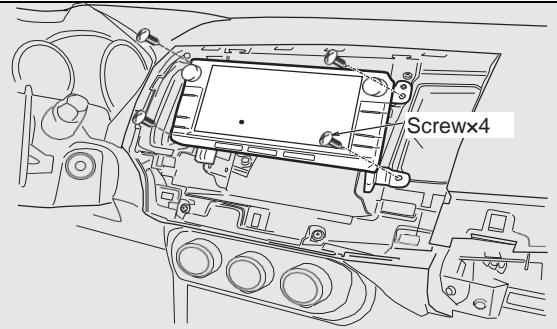
- Disconnect the negative battery terminal.
- Disconnect the audio panel.
- Remove the 4 audio bracket screws and pull radio out just far enough to access the entire parts label.



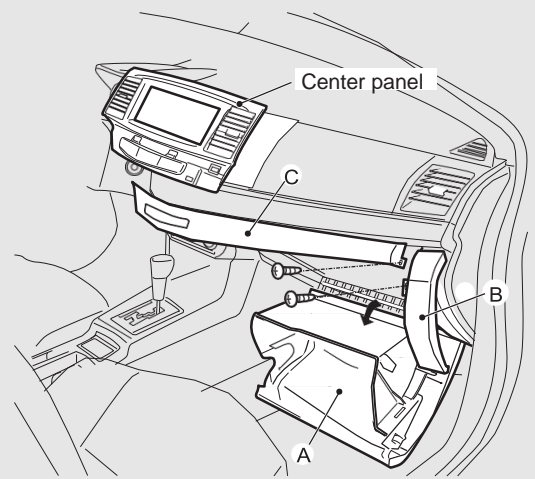
- Cross out the old part number and write in the correct part number (**MZ360599EX**) with a Sharpie ultra fine point permanent marker.



- e. Reposition audio and install the 4 audio bracket screws.
- f. Reconnect the negative battery terminal.
- g. Proceed to step 6.



6. Reinstall the vehicle parts in the following order: Center panel, C, B, and A as indicated.



7. Check the following items:
 - Parts fitment.
 - Hazard switch functions properly.
 - Passenger SRS illumination functions properly.
 - Audio functions properly.

All Complete.

INSTRUCTIONS: 2017 Outlander Sport SAM

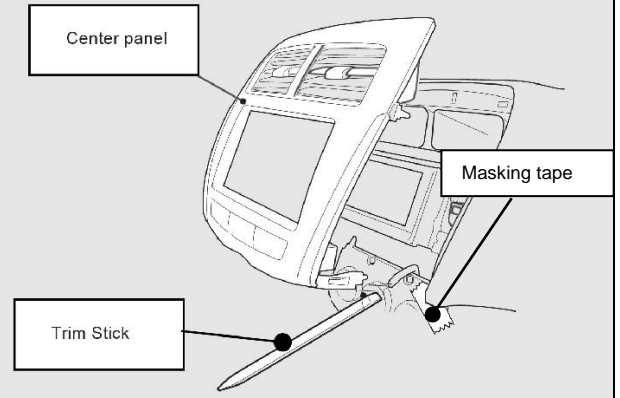
1. Confirm VIN is applicable for this procedure.

NOTE: Affected VINs will be provided in a separate file.

2. Detach the center panel.
(DO NOT remove it.)

- Apply masking tape at the RH upper corner of the HVAC control panel to prevent scuffing.
- Insert trim stick underneath audio panel slot to pry panel loose.
- Detach the center panel dash but **DO NOT** disconnect the connector.
- Hold the center panel in place while conducting the inspection.

NOTE: Ensure that the white clips stay attached to the panels and trim when removed. If necessary, remove them from the dash and reattach to the panels/trim before reinstalling.

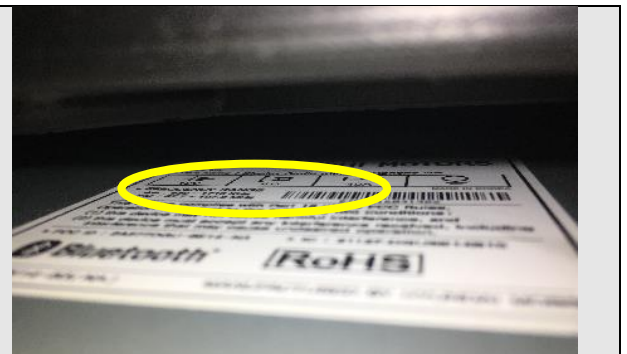


3. Locate the DAS audio label part number.



4. The 2017MY Outlander Sport SAM DAS part number is located at the top left corner of the affixed label.

NOTE: Use a flashlight to assist with viewing the part number.



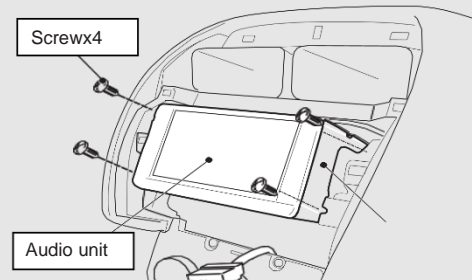
5. The 2017MY Outlander Sport correct part number is MZ360569EX.

- **OK** = Go to step 7.
- **NG** = Call Techline @ (800) 446-6064 for additional instructions. Then go to step 6.



6. **ONLY** after following all Techline instructions, conduct the following steps.

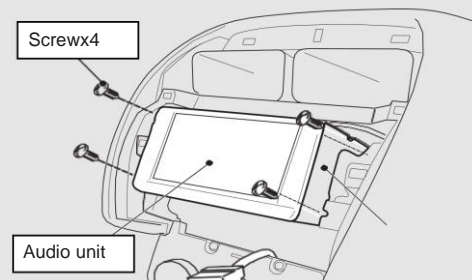
- Disconnect the negative battery terminal.
- Disconnect the audio panel.
- Remove the 4 audio bracket screws and pull radio out just far enough to access the entire parts label.



- Cross out the old part number and write in the correct part number (**MZ360569EX**) with a Sharpie ultra fine point permanent marker.

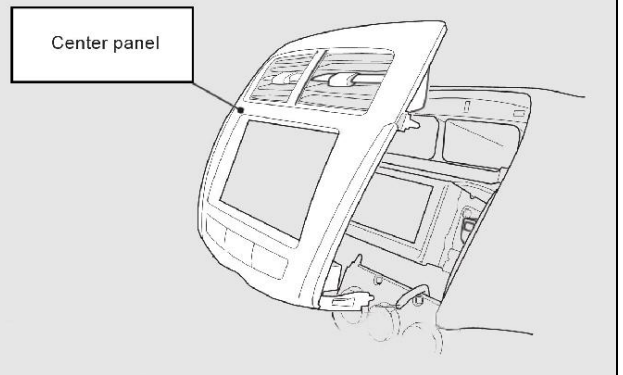


- Reposition audio and install the 4 audio bracket screws.
- Reconnect the negative battery terminal.
- Proceed to step 7.



7. Reinstall the center panel.

- Align the panel clips to the center dash and fasten.



8. Check the following items:

- Parts fitment.
- Hazard switch functions properly.
- Passenger SRS illumination functions properly.
- Audio functions properly.

All Complete.