

LTB00696NAS6

TECHNICAL BULLETIN

28 JUN 2017



© Jaguar Land Rover North America, LLC

NOTE: The information in Technical Bulletins is intended for use by trained, professional Technicians with the knowledge, tools, and equipment required to do the job properly and safely. It informs these Technicians of conditions that may occur on some vehicles, or provides information that could assist in proper vehicle service. The procedures should not be performed by 'do-it-yourselfers'. If you are not a Retailer, do not assume that a condition described affects your vehicle. Contact an authorized Land Rover service facility to determine whether this bulletin applies to a specific vehicle.

INFORMATION

This reissue replaces all previous versions. Please destroy all previous versions.

Changes are highlighted in blue

SECTION:

501-12: Instrument Panel and Console

SUBJECT/CONCERN:

Sunglasses Holder Will Not Open/Close

AFFECTED VEHICLE RANGE:

MODEL:	MODEL YEAR:	VIN:	ASSEMBLY PLANT:
Discovery Sport (LC)	2015 Onwards	500429 Onwards	Halewood
Range Rover Evoque (LV)	2014-2015	856580-999999	Halewood
Range Rover Evoque (LV)	2015 Onwards	000051 Onwards	Halewood

MARKETS:

NORTH AMERICA

CONDITION SUMMARY:

SITUATION:

The front overhead console sunglasses holder may not open/close.

CAUSE:

This may be caused by hinge pin distortion, allowing the cam mechanism to be displaced and not allowing the holder to open and/or close.

ACTION:

Should a Customer express this concern, follow the Workshop Procedure outlined below.

PARTS:

NOTE:

NyoGel® 774L to be sourced from the Squeaks & Rattle Kit; refer to Technical Bulletin LTB00389NAS and Service Bulletin STE12-02 for more information and how to replenish the items in the Squeaks & Rattles Kit when necessary.

PART NUMBER	DESCRIPTION	QUANTITY:
LR086385	Holder - Sunglasses - Cirrus	1
LR086386	Holder - Sunglasses - Ivory	1
LR086387	Holder - Sunglasses - Ebony	1
LR094245	Cam latch	1
-	NyoGel® 774L	Locally sourced

TOOLS:

Refer to Workshop Manual for any required special tools.

WARRANTY:

NOTE:

Use DDW to check for Recall, Service Action, or Update Prior to Sale notice eligibility requiring a sunglasses holder update. If eligible, perform and claim the update as per that program.

NOTES:

- Repair procedures are under constant review, and therefore times are subject to change; those quoted here must be taken as guidance only. Always refer to TOPIx to obtain the latest repair time.
- The JLR Claims Submission System requires the use of causal part numbers. Labor only claims must show the causal part number with a quantity of zero

DESCRIPTION	SRO	TIME (HOURS)	CONDITION CODE	CAUSAL PART
Holder - Sunglasses - Renew - Cirrus	76.25.18	0.2	07	LR086385
Holder - Sunglasses - Renew - Ivory	76.25.18	0.2	07	LR086386
Holder - Sunglasses - Renew - Ebony	76.25.18	0.2	07	LR086387

NOTE:

Normal Warranty procedures apply.

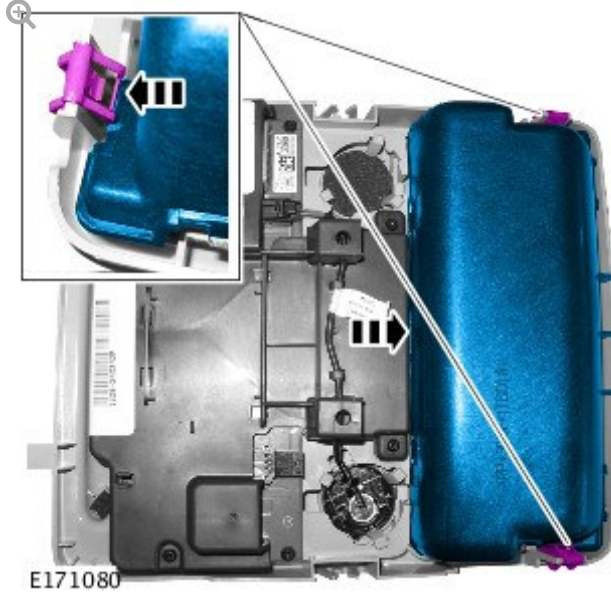
WORKSHOP PROCEDURE:

NOTE:

Use DDW to check for Recall, Service Action, or Update Prior to Sale notice eligibility requiring a sunglasses holder update. If eligible, perform and claim the update as per that program.

-
- 1 Remove the front overhead console (see TOPIx Workshop Manual section 501-12: Instrument Panel and Console).
-

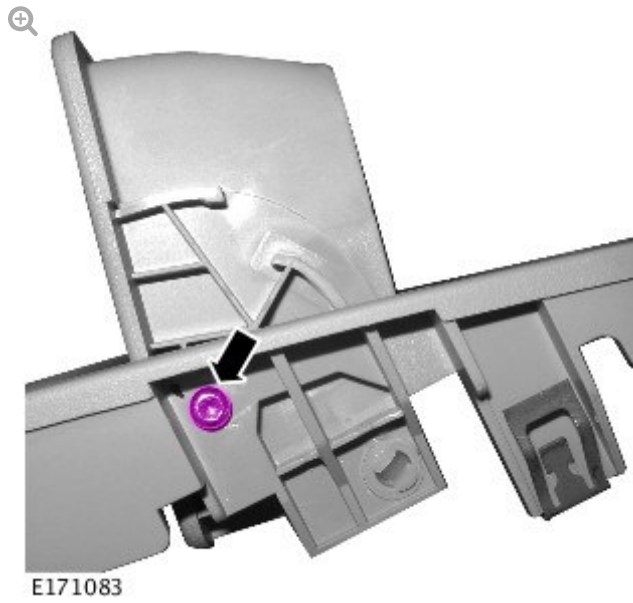
2



Hold the rear cover and push the sunglasses holder cover in the direction shown.

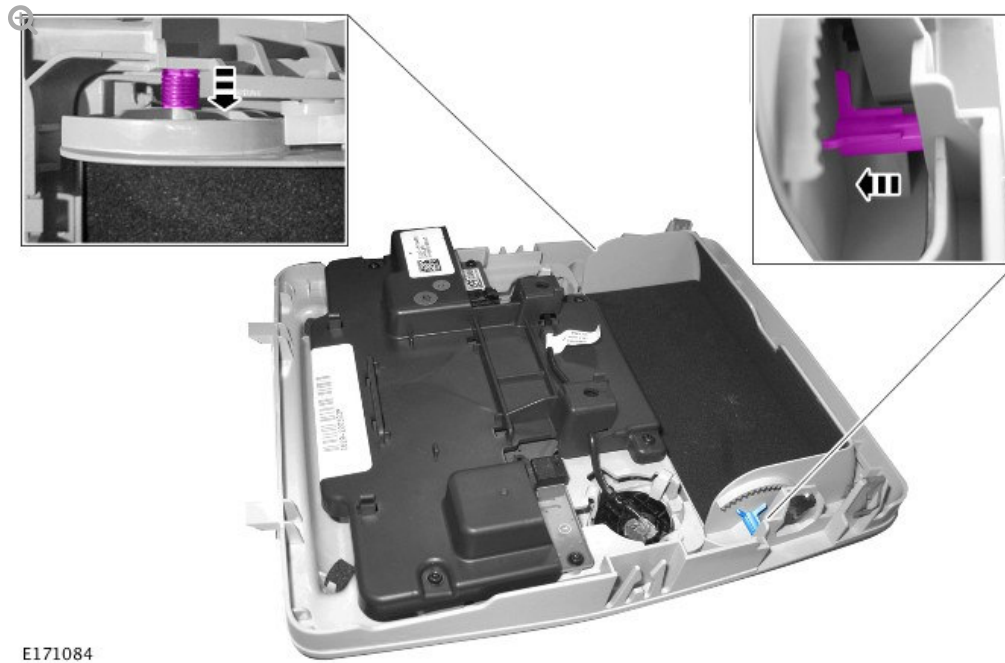
- 1 Lift up to release the two rear retaining clips.
 - 2 Push the outboard retaining clip tower in direction shown to allow the sunglasses holder cover to lift upwards, away from the metal retaining clip.
 - 3 Repeat for the other side.
 - 4 Remove the sunglasses holder cover from the front overhead console.
-

3



Remove and discard the screw on the side of the sunglasses holder.

4



Remove and discard the sunglasses holder:

- 1 Remove the pin near to the damper.
- 2 Remove the pin on the other side of sunglasses holder door.

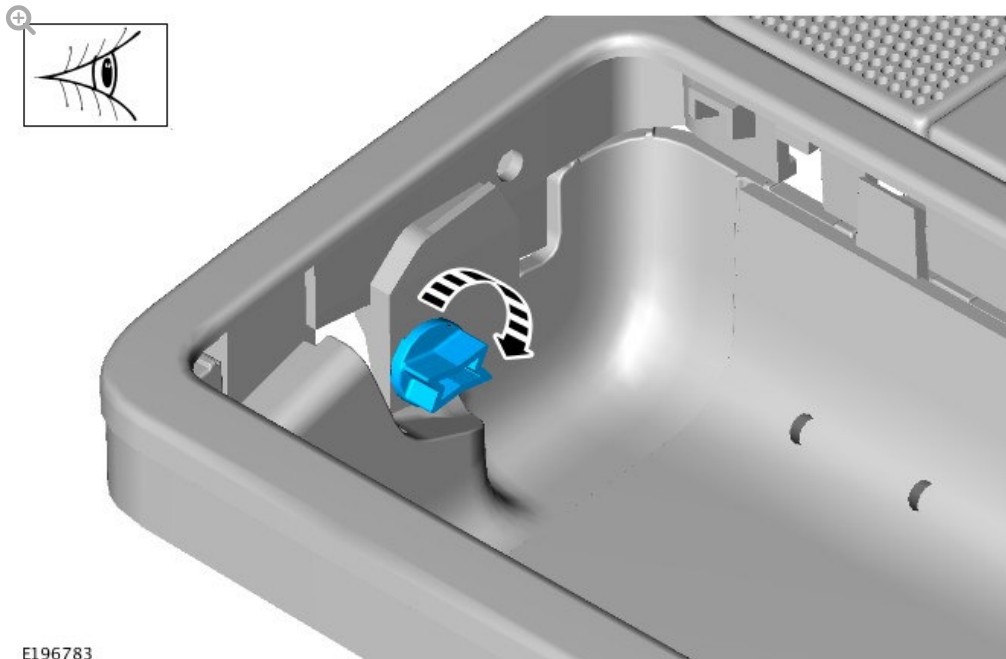
5



E171086

Apply NyoGel® 774L (or equivalent) into the hinge pin holes.

6

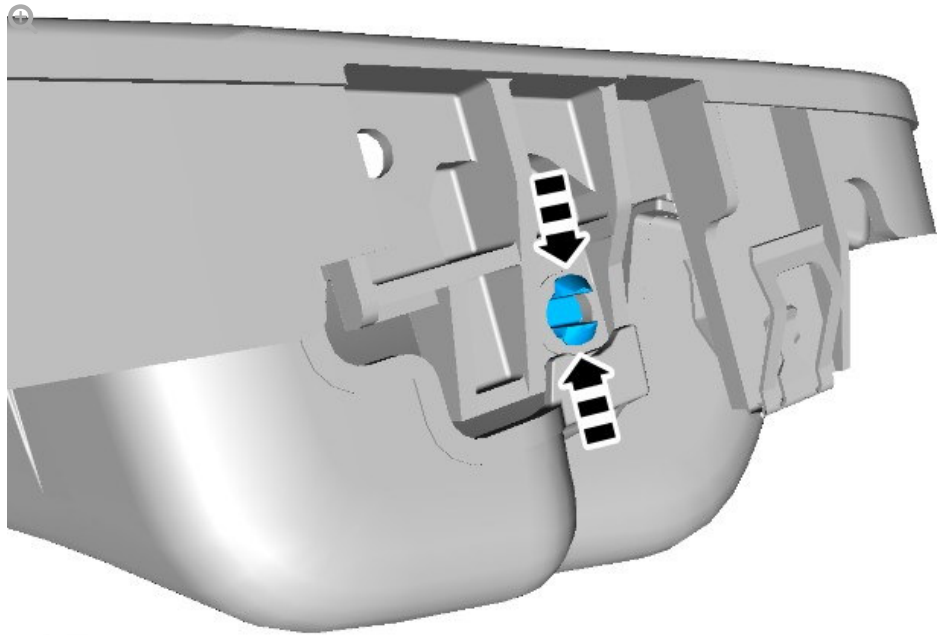


E196783

Rotate the cam latch through 360 degrees while visually inspecting it for possible damage.

- If the cam latch is not damaged, go to Step 10.
- If the cam latch is damaged or missing, go to Step 7.

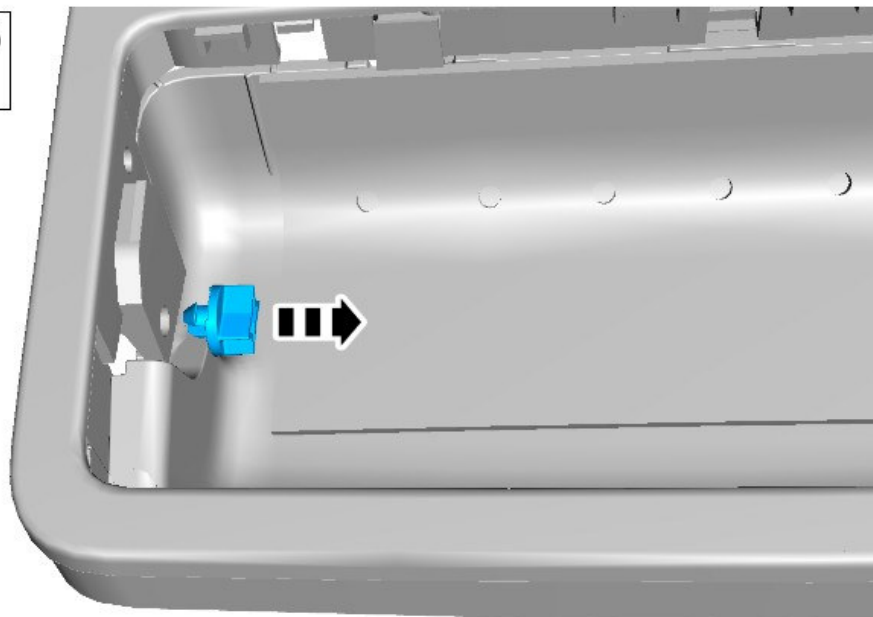
7



E195896

Release the cam latch.

8



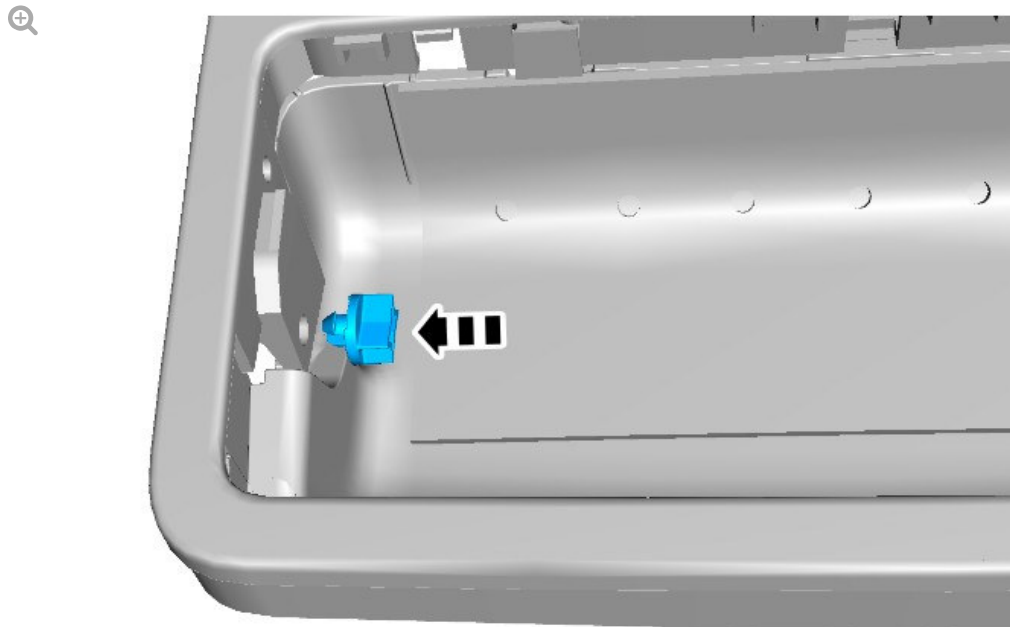
E196791

Remove and discard the damaged cam latch from the front overhead console.

9

CAUTION:

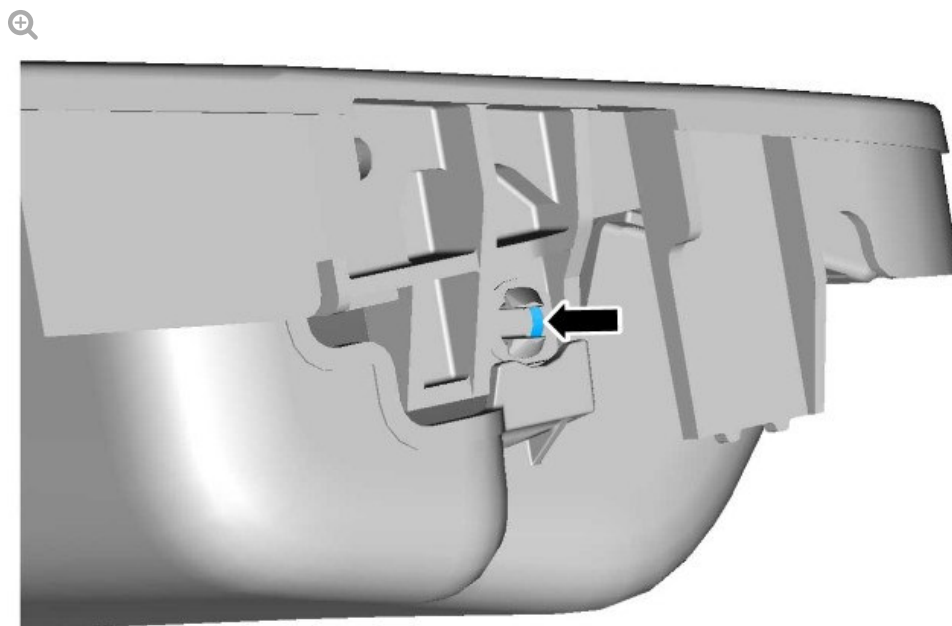
Make sure the overhead console frame is not damaged or distorted before/after installation.



E195899

Apply a small amount NyoGel® 774L grease to the cam latch hole in the front overhead console frame and install a new cam latch.

10



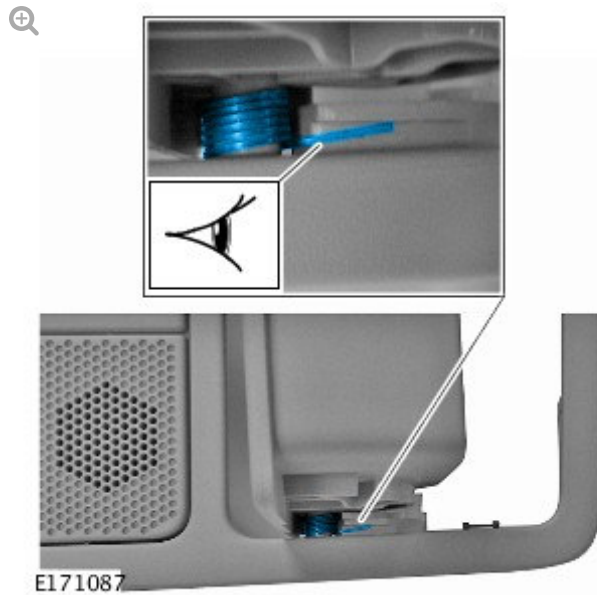
E196782

Apply a small amount NyoGel® 774L grease to cam latch hole, rotate the cam latch to distribute the grease, and wipe off any excess.

11

NOTE:

Make sure the spring is positioned correctly.



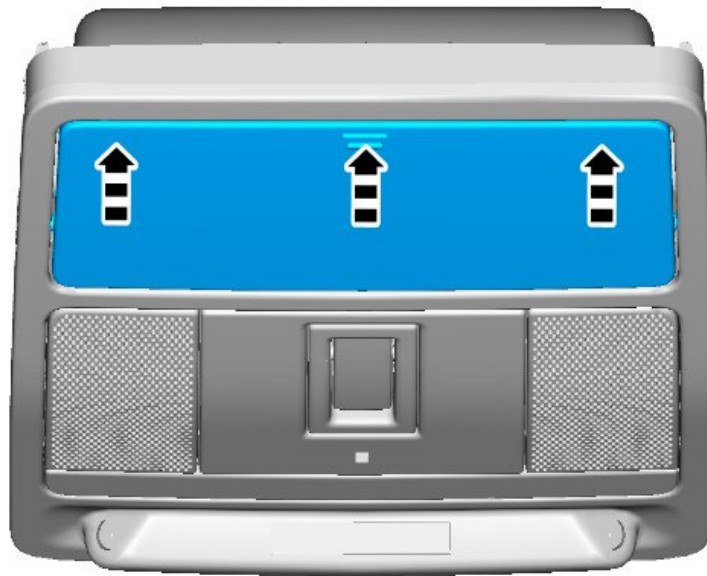
Install the new sunglasses holder.

12

NOTE:

Use care when installing the sunglasses holder cover or the sunglasses bin will not function correctly.

Install the sunglasses holder cover.



E195941

Open/close the sunglasses holder 3 times at each of the three contact points to check correct functionality.

-
- 14 Install the front overhead console (see TOPIx Workshop Manual section 501-12: Instrument Panel and Console).