



# Service Bulletin

## TECHNICAL

**Subject:** Poor Range of Garage Door Transmitter

Brand:	Model:	Model Year:		VIN:		Engine:	Transmission:
		from	to	from	to		
Buick	LaCrosse, Regal	2013	2017			All	All
Buick	Encore	2017	2017			All	All
Buick	Envision	2016	2017			All	All
Cadillac	CT6	2016	2017			All	All
Cadillac	XT5	2017	2017			All	All
Chevrolet	Camaro Malibu	2016	2017			All	All
Chevrolet	Impala	2013	2017			All	All
GMC	Acadia (VIN N)	2017	2017			All	All

<b>Involved Region or Country</b>	North America
<b>Additional Options (RPOs)</b>	Equipped with Universal Garage Door Opener (RPO UG1)
<b>Condition</b>	Some customers may comment that the garage door opener has poor range.
<b>Correction</b>	If you encounter a vehicle with the above concern, replace the garage door opener transmitter.

### Parts Information

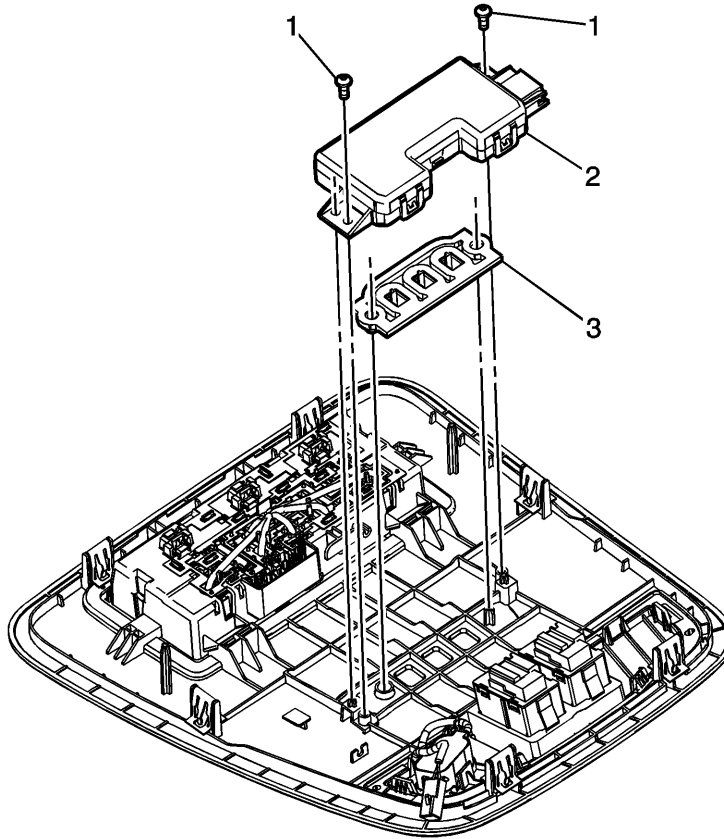
Description	Part Number	Qty
Garage Door Opener Transmitter Asm	84084118	1

### Warranty Information

Labor Operation	Description	Labor Time
6430380	Garage Door Opener Transmitter Replacement	Use Published Labor Operation Time

### Service Procedure

To replace the garage door opener transmitter, complete the following steps:



1. Remove the roof console. Refer to *Roof Console Replacement* in SI.
2. Remove the two screws (1) retaining the garage door opener transmitter.
3. Replace the garage door opener transmitter.
4. Reinstall components and reprogram the module. Refer to *Garage Door Opener Programming and Setup* in SI.

Version	1
Modified	

GM bulletins are intended for use by professional technicians, NOT a "do-it-yourselfer". They are written to inform these technicians of conditions that may occur on some vehicles, or to provide information that could assist in the proper service of a vehicle. Properly trained technicians have the equipment, tools, safety instructions, and know-how to do a job properly and safely. If a condition is described, DO NOT assume that the bulletin applies to your vehicle, or that your vehicle will have that condition. See your GM dealer for information on whether your vehicle may benefit from the information.



WE SUPPORT VOLUNTARY TECHNICIAN CERTIFICATION