



**ATTENTION: This Technical Service Bulletin was issued by Southeast Toyota Distributors, LLC.**

**For Toyota Dealers located within the Southeast Region:** Please refer to SET Dealer Daily to obtain instructions on how to order parts and submit a warranty claim (If applicable).

**For Lexus Dealers or Toyota Dealers NOT located in Florida, Georgia, Alabama, South Carolina or North Carolina:** For Repair Authorization, Parts Ordering, and Warranty Claims please contact Southeast Toyota Distributors Warranty Claims Department:

(888)851-2722

Press 5, then Press 4 for Out of Region SET Repairs

[Accessory.Warranty@SEToyota.com](mailto:Accessory.Warranty@SEToyota.com)

Thank you for your continued support.

# LED FOG AND DRL 2 N 1 LIGHT INOPERATIVE

## APPLICABILITY

YEAR(S)	MODEL(S)	INSTALLED ACCESSORY INFORMATION		
		DESCRIPTION	ACCESSORY CODE	KIT PART NUMBER
2015-17	Highlander	LED fog & DRL 2 in 1 Light	LD4000 or LD4010	00016-48011, 00016-35054, 00016-35061, or 00016-00081
2015-17	4Runner			
2016-17	Rav4			
2016-17	Tacoma			
2016-17	Tundra			

**\*\*This Publication does not apply to Vehicles Originally Equipped with lights from the factory or Systems added by other manufacturers.**

## INTRODUCTION

Southeast Toyota (SET) offers LED fog and daytime running (DRL) 2 in 1 light accessory installed by Southeast Toyota vehicle processing centers and for sale to dealers as dealer installed options.

Some accessory LED fog and DRL 2 in 1 lamp assemblies Manufactured before October 2016 may become inoperative due to a contaminated solder joint.

This publication covers the operation and inspection of the Southeast Toyota fog and DRL 2 in 1 light.

## PARTS INFORMATION

Only replace lamps found to be defective.

PART NUMBER	DISCRIPTION
00016-00081-01	Driver side (left) 2 in 1 Lamp assembly
00016-00081-02	Passenger side (right) 2 in 1 Lamp assembly

If you are a dealer outside of the SET region, please contact the SET accessory department at (888) 851-2722 or email [Accessory.Warranty@SEToyota.com](mailto:Accessory.Warranty@SEToyota.com).

LED Fog / DRL 2 in 1 light inoperative

**ACCESSORY IDENTIFICATION**

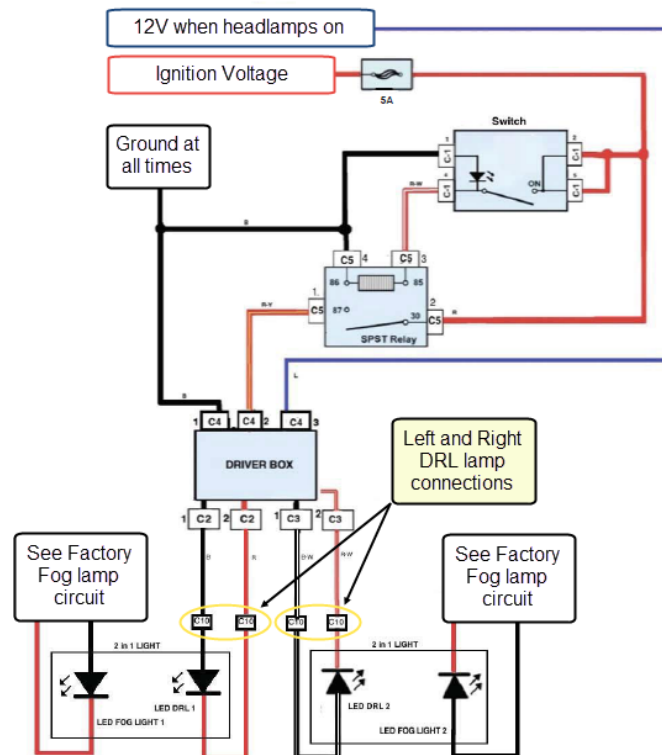
1. Perform TIS VIN inquiry or Service Lane Search
  - a. Port installed accessories are identified by the accessory code listed in application chart on page 1.
  - b. Dealer installed accessories can be identified by part number listed in the application chart on page 1 shown in service history.
  - c. This TSB does not apply to vehicles equipped with accessory lights other than what is indicated.



**ON VEHICLE INSPECTION**

**Wiring diagram for reference only:**

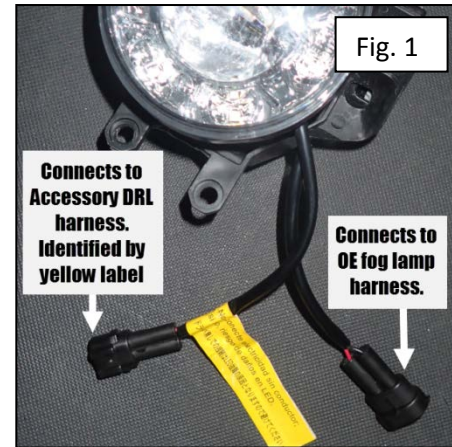
For vehicle specific accessory DRL connections refer to installation manual.  
For vehicle specific OE fog lamp circuit information refer to TIS EWD



## LED Fog / DRL 2 in 1 light inoperative

**HINT:** The Southeast Toyota Accessory LED fog & DRL 2 in 1 light utilizes 2 connections for proper operation. (Fig 1.)

- DLR (Daytime Running Light) function utilizes SET accessory switch, relay, harness, and driver module. This connector can be identified by the yellow label on the harness near the lamp assembly.
- Fog function utilizes a connection to the factory fog lamp circuit.



### 2. DRL light function check and diagnostics. (Fig. 2)

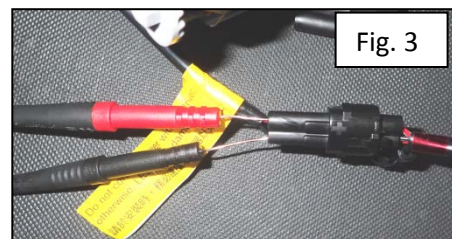
- a. With the ignition "On", turn Accessory DRL switch "On".
  - **Function:** The outer portion of the 2 in 1 lamps light at DRL lamp intensity.
- b. Turn Factory Headlamp switch "On" while Accessory DRL lamps are illuminated
  - **Function:** The illumination of DRL decreases to accent lighting levels.

DRL Functions as indicated- Proceed to step 3 for inspection of Fog lamp operation.



DRL Functions are **not** as indicated, measure voltage at the 2 in 1 light DRL lamp connector by back probing the connector. (Fig. 3)

Operating Condition	Voltage
Ignition "ON", DRL switch "ON", Headlamps "OFF"	Approx 18V
Ignition "ON", DRL switch "ON", Headlamps "ON"	Approx 16V



- If DLR is inoperative and voltages are as indicated, Replace 2 in 1 lamp assembly.
- If DLR is inoperative and voltages are not as indicated, refer to installation instructions for DLR module input voltages and vehicle specific connections.

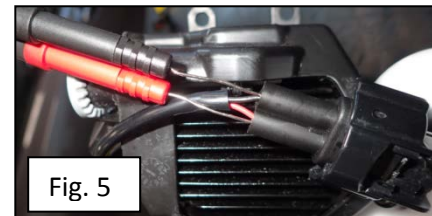
## LED Fog / DRL 2 in 1 light inoperative

3. Fog light function check and diagnostics. (Fig. 4)
  - a. With the ignition and low beam headlamps "On", Turn the factory Fog lamp switch to "On".
    - **Function:** The center portion lamp illuminates to fog light intensity.



If Function is not as indicated, measure voltage at the 2 in 1 light Fog lamp connector by back probing the factory fog lamp connector. (Fig. 5)

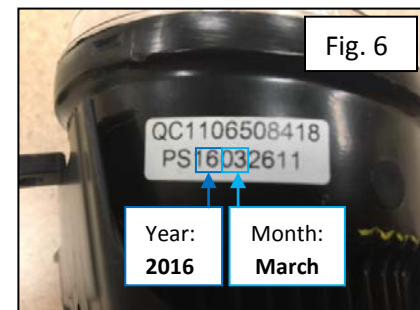
Operating Condition	Voltage
Ignition "ON", Fog lamps "ON", Headlamps "ON"	Approx 12V



- If Fog function is inoperative and voltage is as indicated, Replace 2 in 1 lamp assembly.
- If Fog function is inoperative and voltages are not as indicated, refer to TIS EWD for factory circuit operation and diagnostics.

## LAMP BUILD DATE INFORMATION

Warranty return parts were found to have a contaminated solder joints within the lamps internal circuit board. Manufacturer implemented a 100% circuit board solder joint inspection during production of all units manufactured on or after 10/1/2016. The production date can be determined by reading the number on the side of the light. (Fig. 6) Parts with a number greater than PS16100100 have been inspected for solder joint concerns.



LED Fog / DRL 2 in 1 light inoperative

### WARRANTY INFORMATION

For Dealers located in the Southeast Region, Florida, Georgia, Alabama, South Carolina, or North Carolina, Submit Warranty claim utilizing the information below.

OP CODE	DESCRIPTION	TIME	OFF	T1	T2
ALF011	Single lamp replacement	0.7	00016-48011-01 (or 02) 00016-00081-01 (or 02)	99	99
Use Combo code A for an additional 0.3 if replacing both (2) lamps.					
<b>ADDITIONAL INFORMATION REQUESTED IN WARRANTY CLAIM</b>					
<ul style="list-style-type: none"> <li>Because this lamp has 2 functions please accurately describe which functions are affected, DRL or Fog.</li> <li>Include Technician's observations test results accurately.</li> </ul> All parts recovered by SET warranty are inspected and tested to identify defects. Parts which do not exhibit defects are subject to dealer claim debit.					
<b>Port Installed Option (PIO)</b> - is in effect for 36 months or 36,000 miles from the vehicle's in-service date, whichever occurs first. <i>Unless otherwise specified in vehicle VIN inquiry.</i>					
<b>Dealer Installed Option (DIO)</b> - is in effect for 12 months, regardless of mileage, from the date the part(s) was installed on the vehicle or the remainder of any applicable New Vehicle Limited Warranty, whichever provides greater coverage.					
<b>Over the Counter Sale (OCS)</b> - is in effect for 12 months, regardless of mileage, from the date the part(s) were sold. Labor is not warranted for over-the counter service part replacements.					

If you are a dealer located outside of the Southeast Region, please contact the SET Accessory Warranty Department at (888) 851-2722 or email [Accessory.Warranty@SEToyota.com](mailto:Accessory.Warranty@SEToyota.com) for claim payment instructions.