

L62X-
A.01.17

To: Official After Sales Network
Subject: Heat shield installation
Date: June 23, 2017
Pages: 8



Campaign code.

L62X-A.01.17

Campaign description.

Heat shield installation

Model.

Huracan Coupe and Spyder.

Model year.

From 2015 to 2018

Special or Limited Versions.

All.

Markets.

All.

VIN identification

From FLA10163 to HLA07076

Warning: before starting with the repair, log to the Warranty portal and check through VIN Info:

- The vehicle is effectively involved by these bulletin instructions; some cars may not be included even when they are in the VIN range.
- The procedure identified by a letter (e.g. A, B or C...etc. whose differences are explained below in this bulletin), taking care to order and use the parts corresponding to the assigned procedure.

Example

Campaign Code	Campaign Type	Procedures	Campaign Description	Campaign Starting Date	PDF	AV
LXX-XXXX	A - Service Action	B	CAMPAIGN NAME	DD/MM/YYYY		



Note

Procedure A will be available only when the instructions require to carry out a preliminary control to determine whether or not a vehicle needs to be updated.

Information to the field

As a result of continuous product monitoring, Automobili Lamborghini Spa has introduced an additional heat shield for the air secondary valve.

Field solution

The instruction herein detailed describes two procedures:

- B, which concerns the installation of a heat protection for air secondary valve.

Spare parts.

Order the following part number which are connected to the operation required:

- Operation B – heat shield installation.

P/N	Description	Q
079133105B	Heat shield	1

Replaced parts management.

Store properly and tagged the parts replaced with bar code form for their identification during Area Manager visits.

Labour time

- Heat shield installation : **0,4 hour.**

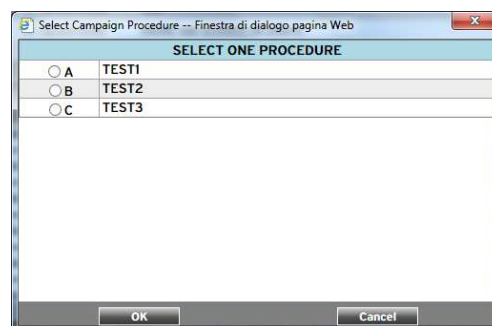
Substituted former Bulletins.

None.

Warranty Claim instructions

To claim the reimbursement log into the warranty system management on the Lamborghini Portal and consults the manual “W.Claim “ available on the portal for the download .

Select the desired campaign and go on with the claim insertion, read carefully the windows message content and choose the option button corresponding to the operation performed .



On the base of the chosen option the reimbursement will be:

- OPTION B, *heat shield installation*
manpower: *1 hour*
spare parts: *079133105B,*



ATTENTION!

Rev.01

The information and procedures published below are strictly confidential and intended exclusively for authorized operators and individuals. All copyrights are the property of Automobili Lamborghini S.p.A based on copyright law. The company reserves the right to make updates and modifications. The reprinting, reproduction, forwarding to unauthorized people and/or to third parties and partial or entire translation thereof are prohibited without written authorization from Automobili Lamborghini S.p.A.

doc. nr: L/V6_M06 Rev.[04]

1/8

L62X-A.01.17

To: Official After Sales Network
 Subject: Heat shield installation
 Date: June 23, 2017
 Pages: 8



Attach all documents produced during the vehicle visit that show evidence of the work performed such as repair order, software protocols or acquisitions...etc.; the lack of one or more of those, may deny the reimbursement.

Remember to fill all data in the section “Service and Recall Campaign” in the Warranty booklet of the vehicle as shown below.

Necessary tools/material.

P/N	Description	Q
-		

Preliminary operation:



WARNING

Procedures to be performed at cold engine.

A. Removing/Installing the rear hood for Spyderys only

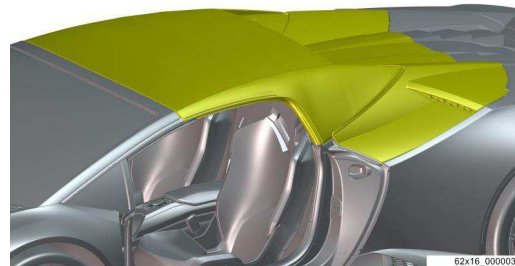


WARNING

When performing this operation, have a second technician help support the hood as it is removed.

1. Perform the following steps: ‘FOLDING ROOF CLOSED’.

The roof covers the passenger compartment. The roof compartment cover is closed.



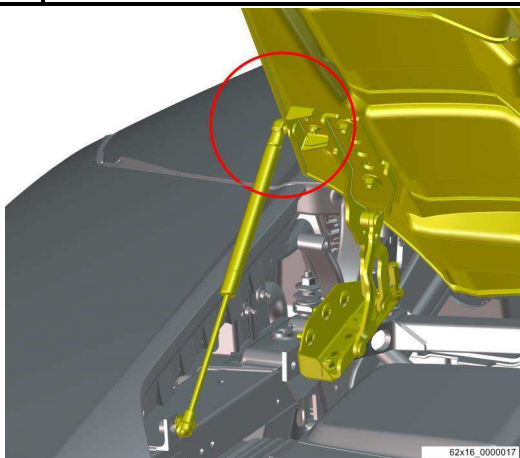
2. Technician 1 : Support the hood at the rear.

Technician 2:
 Pry the clip and then free the gas spring.



WARNING

Place one or more supports under the engine hood to prevent it from falling and thus causing personal injury or property damage.



3. Technician 1:
Support the hood at the rear.
Technician 2:
Remove the 3 nuts that fasten the hinge to the hood.



Note

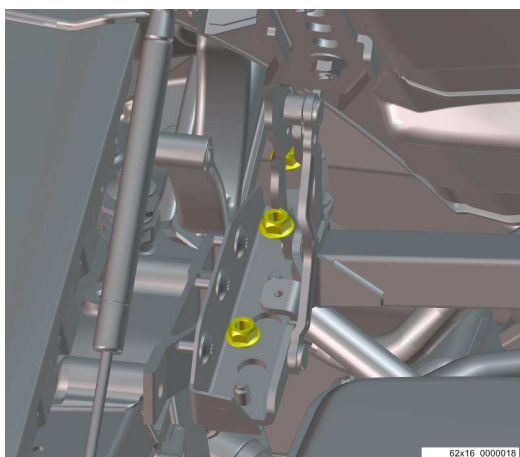
This procedure can be used on both the right and the left sides.



Notes for reinstallation

Tighten the nuts.

Tightening torque: 22.00 Nm (16.23 lbf ft) ± 20%.



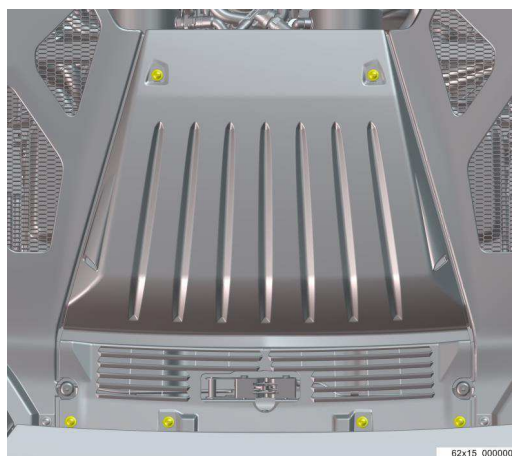
4. Technicians 1 and 2:
Support the hood and move to one side of the vehicle.
Remove the hood.



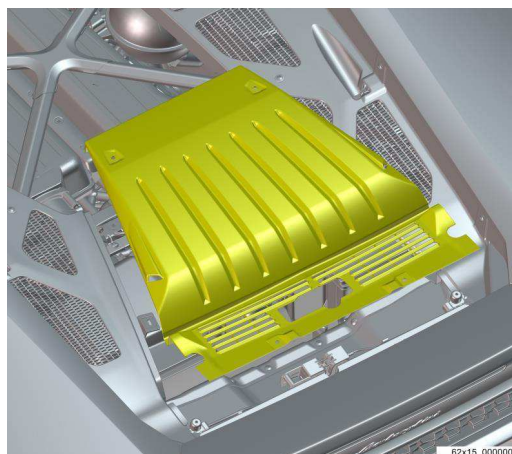
5. Skip at paragraph C , page nr 4

B. Removing/Installing the Rear engine cover for Coupè only

1. Remove the 6 mounting screws.



2. Remove the rear cover.

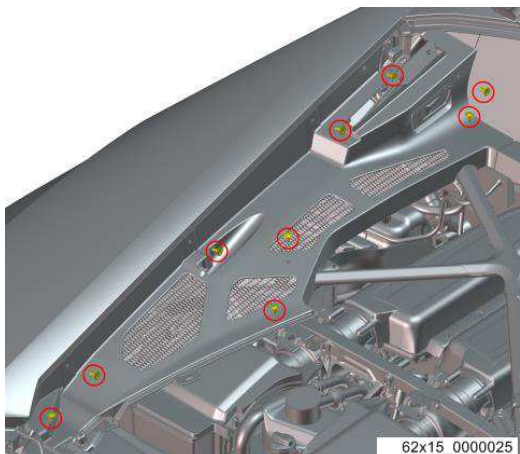




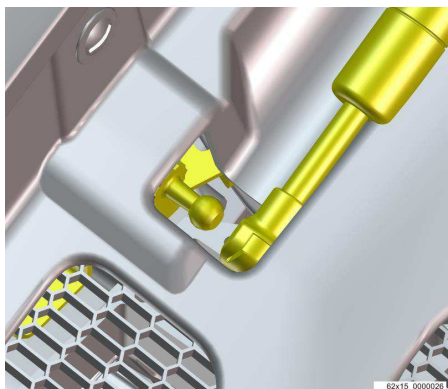
WARNING

To prevent personal injury or property damage:
place one or more supports under the engine hood
to prevent it from falling.

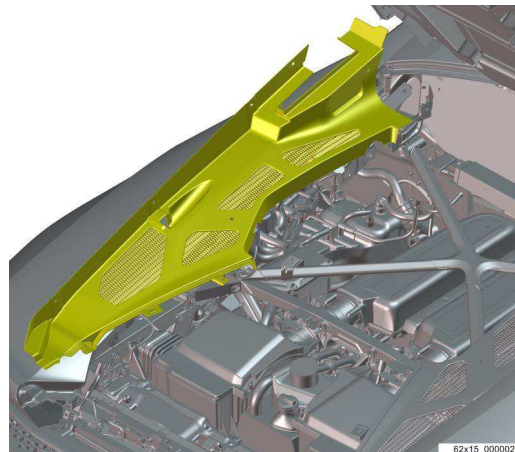
3. Remove the 9 mounting screws.



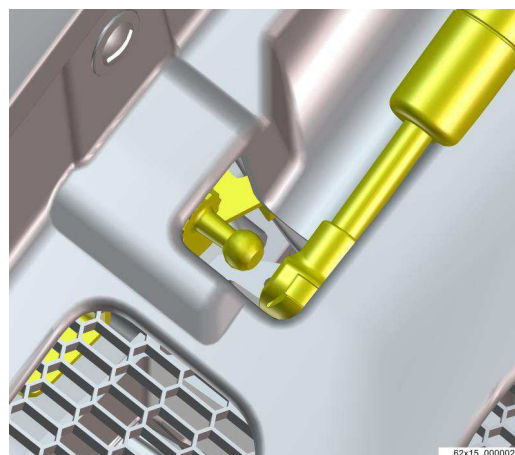
4. Disconnect the gas spring from the engine hood. Pry the clip and then free the gas spring.



5. Remove the left side cover.



6. Reconnect the gas spring.





C. Removing/Installing the left filter housing

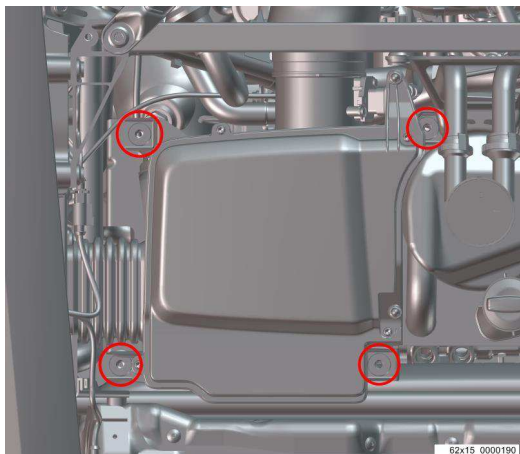
7. Remove the 4 mounting screws.



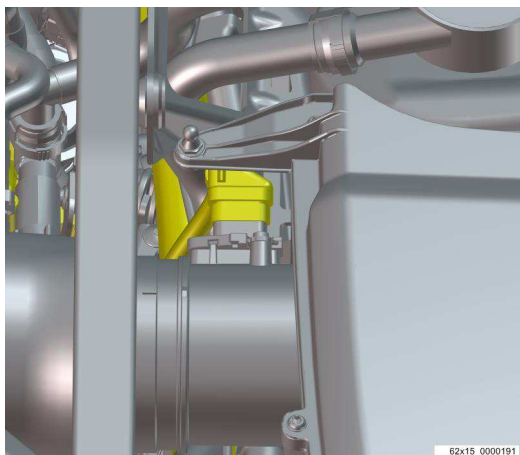
Notes for reinstallation

Tighten the screws.

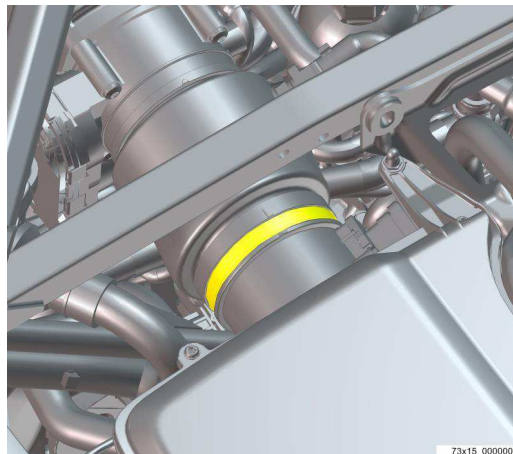
Tightening torque: **8.00 Nm (5.9 lb ft) ± 20%**



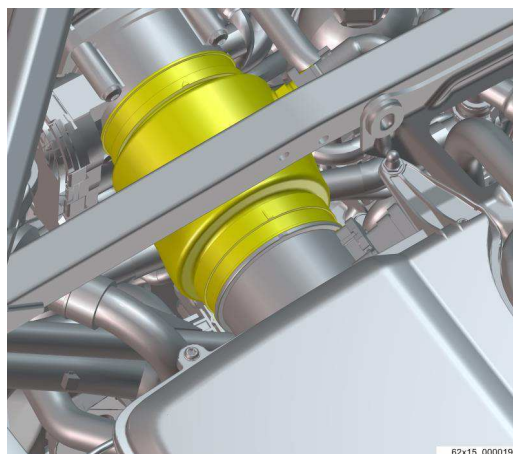
8. Disconnect the connector.



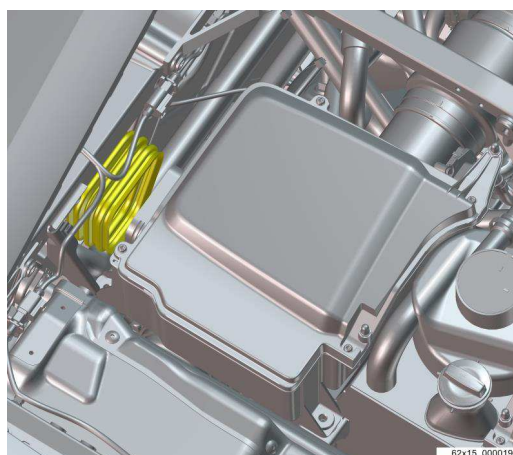
9. Remove the clamp.



10. Disconnect the bellow from the filter housing.

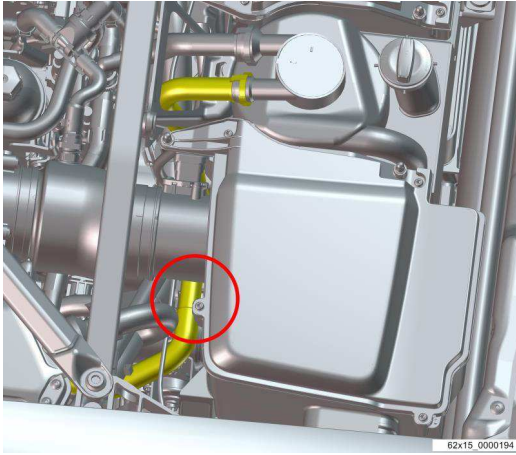


11. Disconnect the bellow from the filter housing.

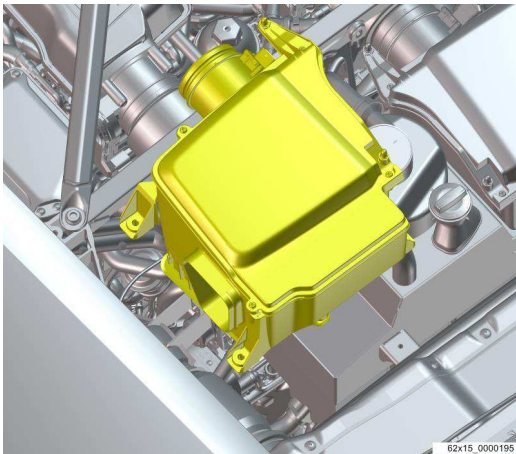




12. Free the tube from the bracket.

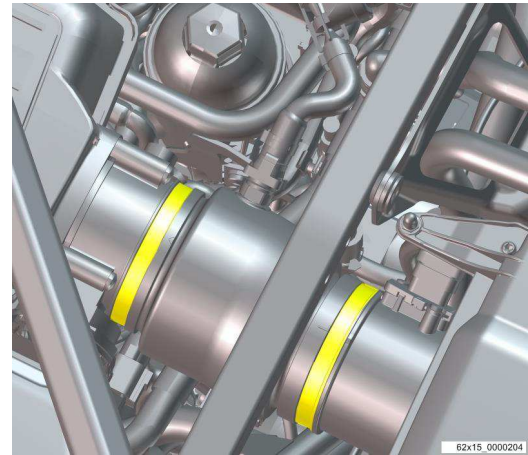


13. Remove the housing.

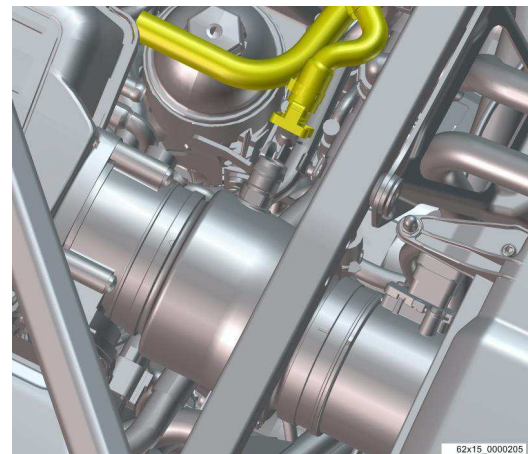


D. Removing/Installing the left bellow sleeve.

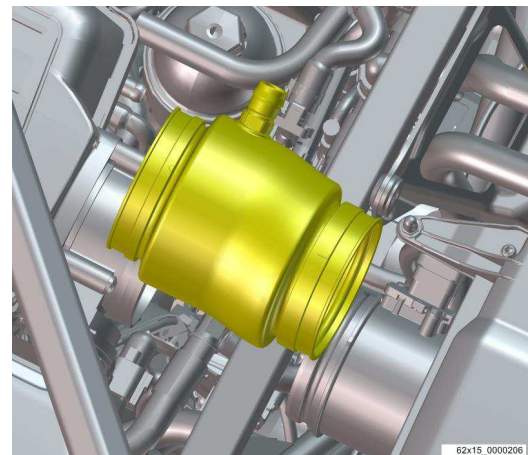
14. Remove the 2 clamps.



15. Disconnect the connector.



16. Remove the bellow.





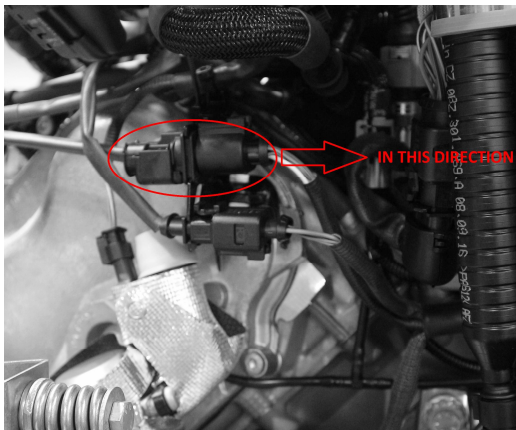
Heat shield installation procedure



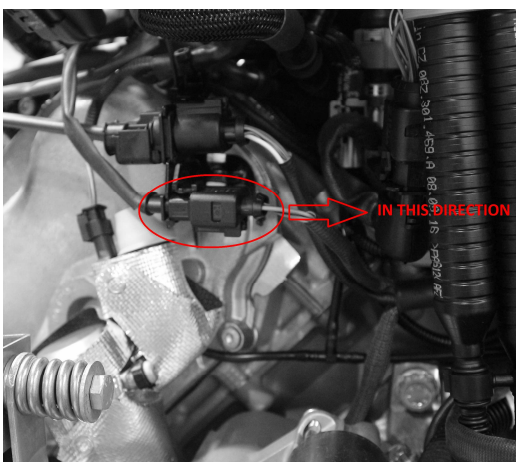
WARNING

Procedures to be performed at cold engine

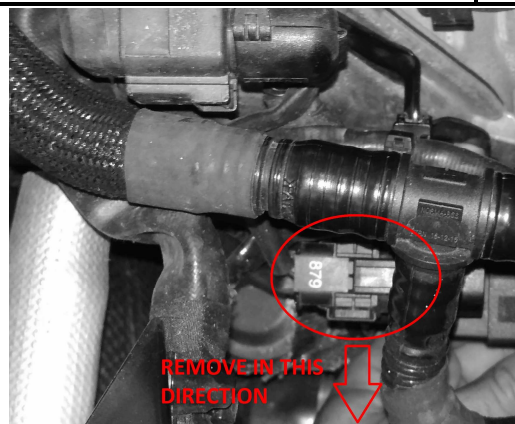
17. Disconnect the connector by opening the clip and pulling in the direction indicated in the figure.



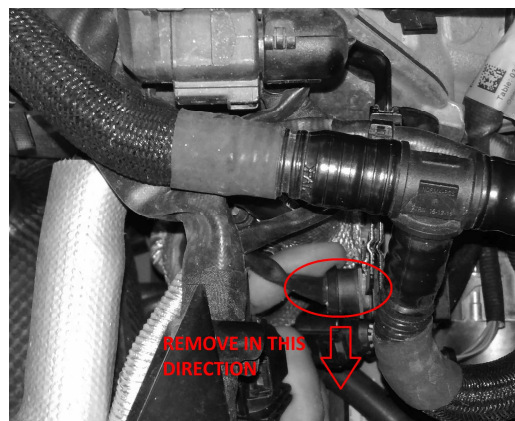
18. Disconnect the connector by opening the clip and pulling in the direction indicated in the figure.



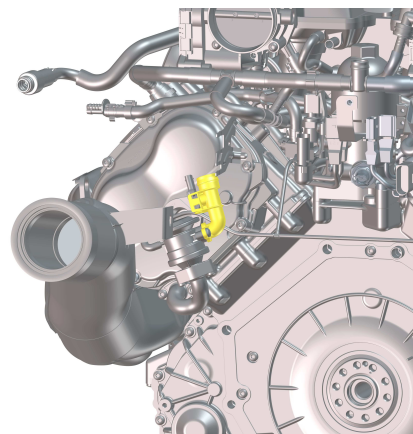
19. Release the connector from its retainer bracket.



20. Release the connector from its retainer bracket.



21. Identify the secondary valve on which the heat shield has to be fitted.



22. Fit the heat protection onto the secondary air valve.



IMPORTANT!

The following scheme shows the correct sequence to button up the heat protection. These steps need to be



performed after that the placement of the heat protection behind the valve

Figure 1- button up the heat shield according the numbers

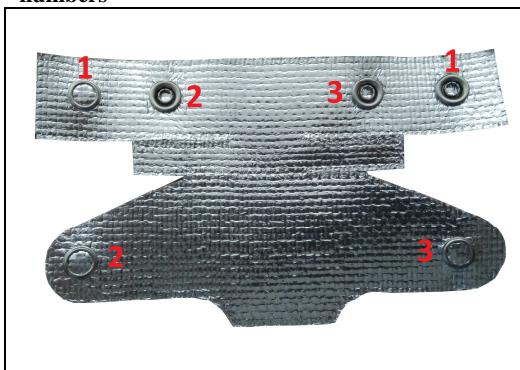


Figure 2 button up reference 1 (see fig 1)



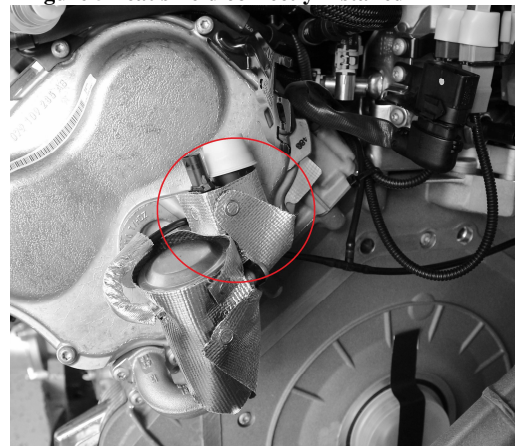
Figure 3 button up reference 2 (see figure 1)



Figure 4 button up reference nr 3 (see figure 1)



Figure 5 heat shield correctly installed



23. Insert the connectors into the retainer bracket and connect them in reverse order from points 17 to 20 .

Final operations Version

24. Removing/Installing the left bellow.
 25. Removing/Installing the left filter housing.
 26. Removing/Installing the complete engine hood (Spyder or coupe instructions paragraph).