

Technical product information

Topic	Sun roof rattle and or creak
Market area	Bentley: worldwide (2WBE),Hongkong-Macau (5HK)
Brand	Bentley
Transaction No.	2045605/1
Level	EH
Status	Approval
Release date	

New customer code

Object of complaint	Complaint type	Position
Roof systems, special bodies -> Operation of automatic sliding/tilting roof, panorama roof	Noise, vibration	
Body -> Superstructure	Noise, vibration	

New workshop code

Object of complaint	Complaint type	Position
Roof systems, special bodies -> Panoramic sliding sunroof -> Panoramic sunroof seal	Noise, vibration -> noise	> not specified <

Vehicle data

Bentayga

Sales types

Type	MY	Brand	Designation	Engine code	Gearbox code	Final drive code
4V1*	2017	E		*	*	*

Chassis numbers

Manufacturer	Filler	Type	Filler	MY	Factory	From	To	Prod from	Prod to
SJA	***	**	*	*	C	000001	012697		

Documents

Document name
master.xml

Customer statement / workshop findings

Noise rattle creak in cabin/ sun roof area

Technical background

New surface finish on seal to eliminate rattle/creak from sun roof

Production change

New seal fitted from VIN SJAAB1ZV4HC012697

Measure

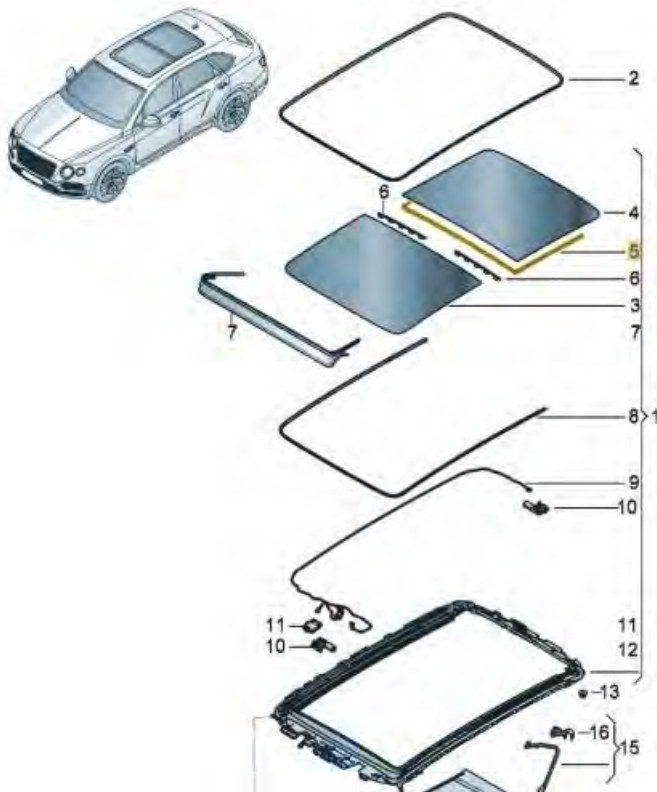


Figure 1

In the event of a qualified complaint of rattle or creak from sun roof area, in the vicinity of the rear glass inner seal, then replace the original seal (item 5 figure 1) part number 4M0877297 with replacement seal 4M0877297A

Refer to workshop manual Sun roof glazing to remove and fit Rep. Gr 60

Warranty accounting instructions

Warranty Type 110 or 910
 Labour Operation Code 60 42 41 00
 Damage Service Number 60 42
 Damage Code 00 20
 Time 80TU

Parts information

Part number	Description	Quantity
4M0877297A	Seal for glass	1