



| | Date | Group | No. | Release | Page |
|--|--------|------------|------------|-----------|------|
| This Product Improvement (PI) replaces MACK bulletin "Aftertreatment Diesel Exhaust Fluid (DEF) Dosing Valve, Replacement", PV729-PI0875 (USA138612356) dated 01/2017. | 2.2017 | 258 | 875 | 02 | 1(9) |

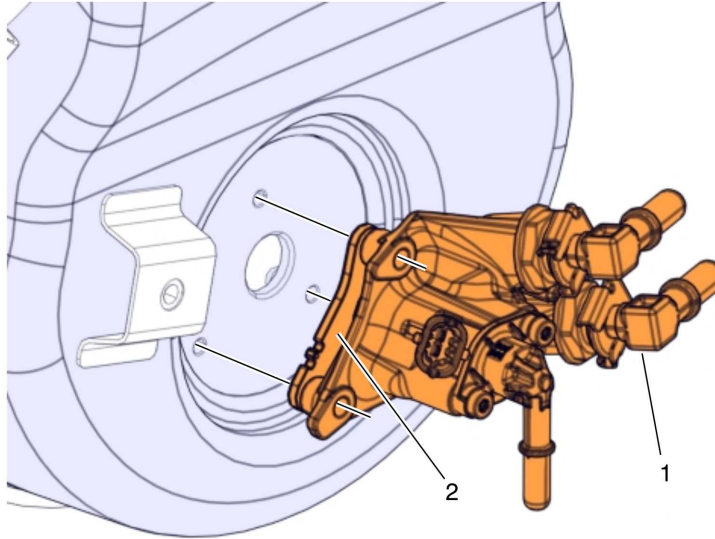
Aftertreatment Diesel Exhaust Fluid (DEF)
Dosing Valve, Replacement
CHU, CXU, GU

PI0875, Aftertreatment Diesel Exhaust Fluid (DEF) Dosing Valve, Replacement

(February 2017)

Certain MACK CHU, CXU, and GU trucks built between 10/03/2016 and 11/07/2016 may experience a coolant leakage issue with the Aftertreatment Diesel Exhaust Fluid (DEF) Dosing Valve. To resolve this issue, replacement of the Aftertreatment DEF dosage valve is required. Using the vehicle Identification Number (VIN), confirm campaign eligibility in Vehicle Data Administration (VDA) prior to performing this update. Follow the replacement procedures outlined in this Product Improvement (PI).

Note: This bulletin does not apply to MACK Trucks Australia.



W2119113

Repair Parts

| Aftertreatment DEF Dosing Valve, Replacement Parts | | | |
|--|---------------------------------|-------------|-----|
| Item | Description | Part Number | Qty |
| 1 | Aftertreatment DEF Dosing Valve | 22744065 | 1 |
| 2 | Dosing Valve, Gasket | 22677399 | 1 |

Aftertreatment DEF Dosing Valve, Replacement Procedure

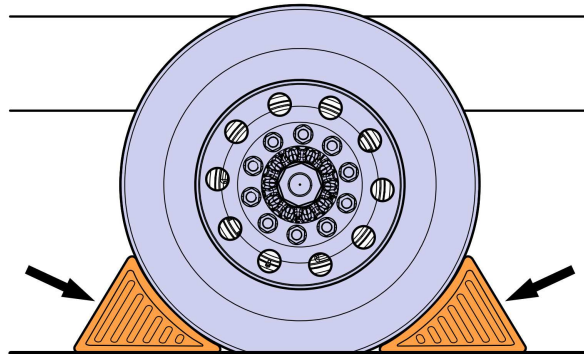
You must read and understand the precautions and guidelines in Service Information, group 20, "General Safety Practices, Engines" before performing this procedure. If you are not properly trained and certified in this procedure, ask your supervisor for training before you perform it.



DANGER

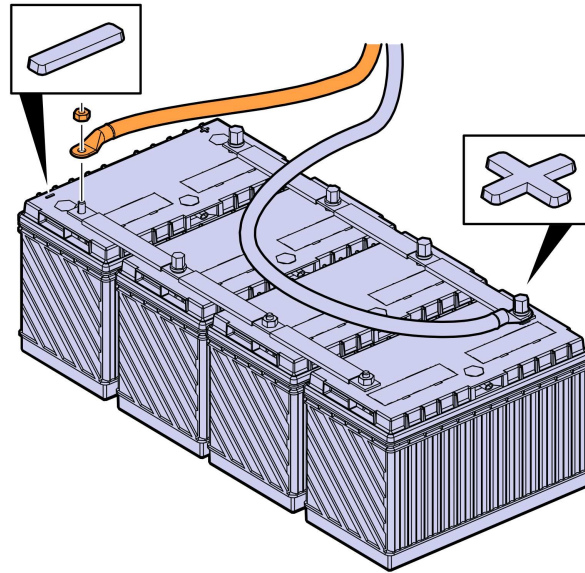
Do not attempt to repair or service this vehicle without having sufficient training, the correct service literature and the proper tools. Failure to follow this could make the vehicle unsafe and lead to serious personal injury or death.

- 1 Park the vehicle on a level surface and turn the front wheels to the left.
- 2 Apply the parking brake.
- 3 Place the transmission in neutral or park.
- 4 Install the wheel chocks.



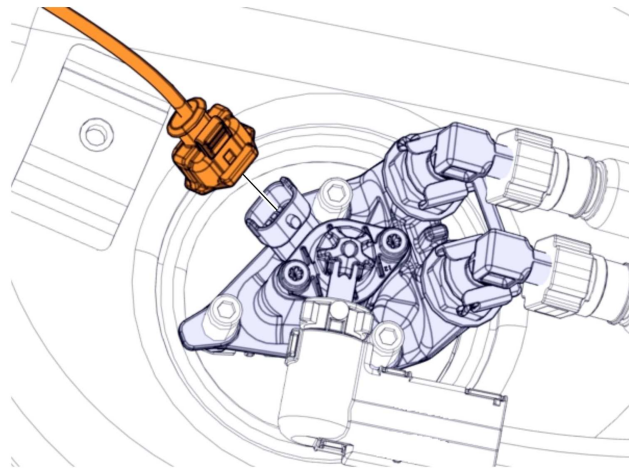
W7086748

5 Disconnect the cable from the battery's negative terminal.



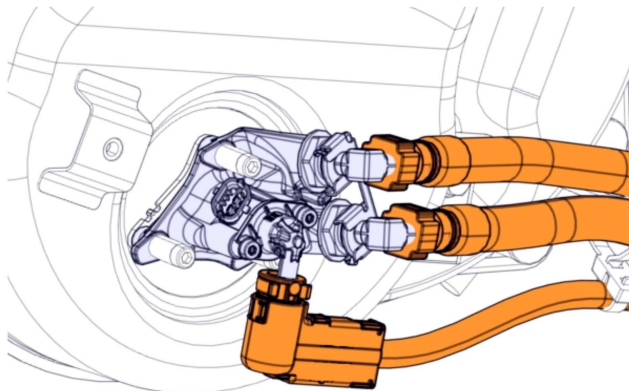
W3086747

6 Disconnect the connector.



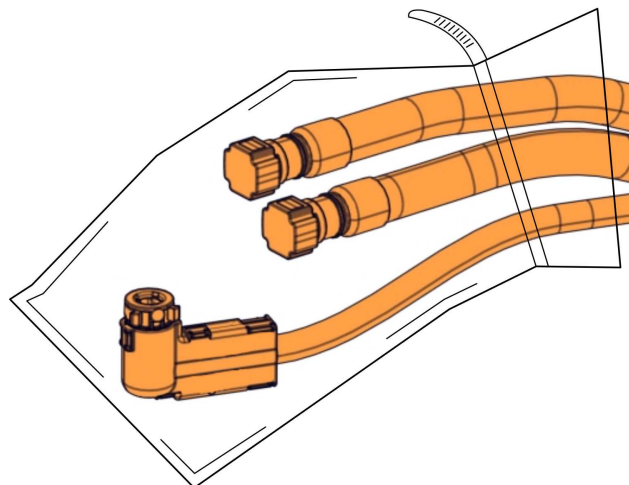
W2119107

7 Remove the valve hoses.



W2119108

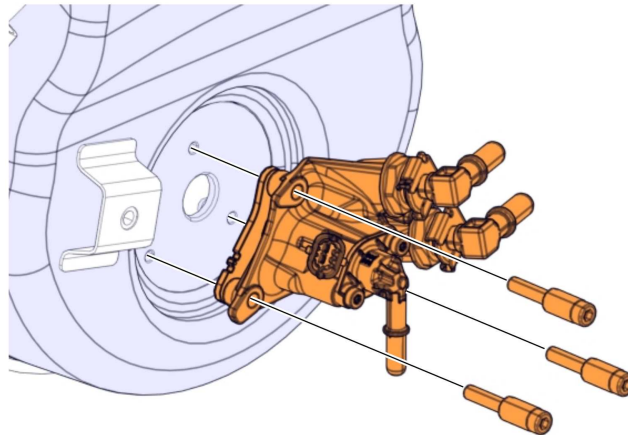
8 Use a plastic bag to cover the hose connectors.



W2119109

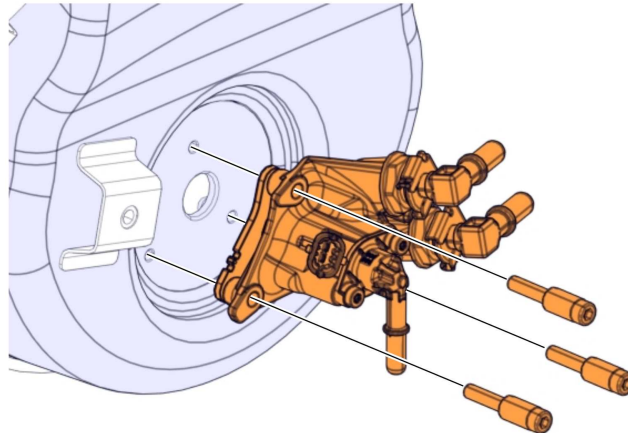
- 9 Remove the fasteners.
- 10 Remove the dosing valve.

Note: Discard the washer. Do not reuse.



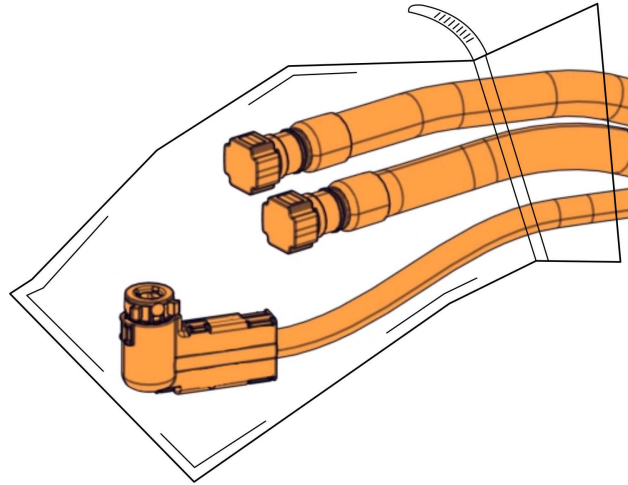
W2119110

- 11 Clean the mating surface.
- 12 Using a new gasket, install the new dosing valve.
- 13 Tighten the fasteners securing the dosing valve to 10.1 ± 0.3 Nm (89 ± 3 in-lb).



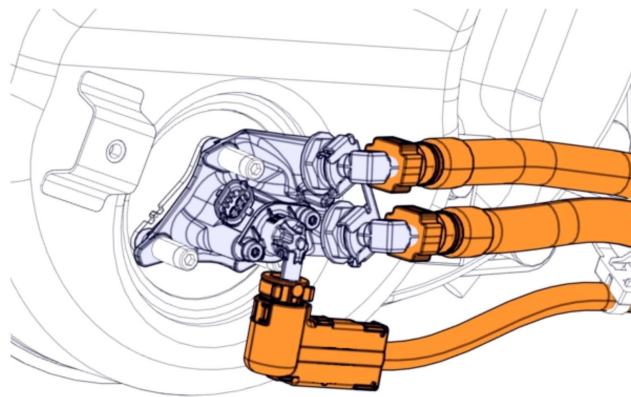
W2119110

14 Remove hoses from the bag.



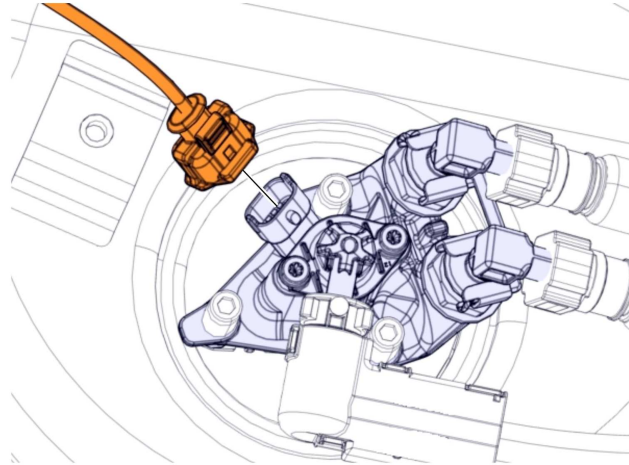
W2119109

15 Install the valve hoses.



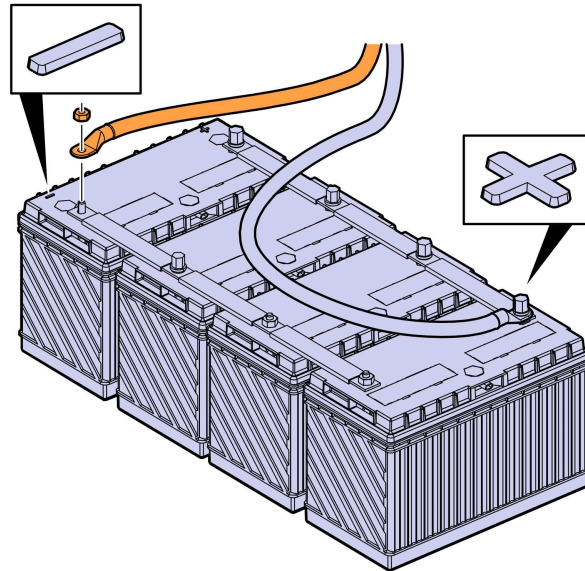
W2119108

16 Connect the connector.



W2119107

17 Connect the battery cable to the negative (ground) terminal.

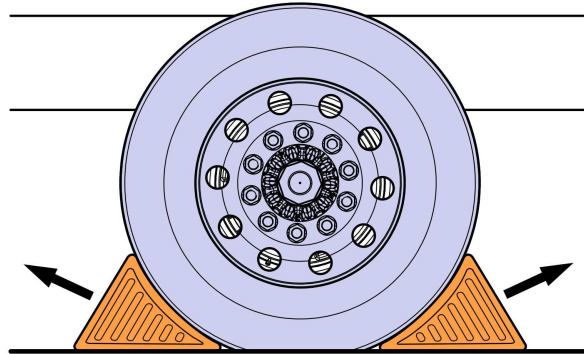


W3086747

18 Delete the diagnostic trouble codes (DTC's) according to the diagnostic tool (Premium Tech Tool) instructions.

19 Check the operation of any component disconnected during this procedure.

20 Remove the wheel chocks.



W7086759

Reimbursement

| | |
|--|-----------------------------|
| This repair is covered by an authorized Service Program. Reimbursement is obtained via the normal claim handling process. | UCHP Reimbursement |
| Recall Status | |
| Vehicle inspected, repair not required | 1- Inspected OK |
| Vehicle repaired per instruction | 2- Modified per instruction |
| Labor Code | |
| Primary Labor Code (Aftertreatment DEF Dosing Valve, Replacement) | 2589-03-02-19 0.5 hrs |
| Labor Code (Steam Clean or Pressure Wash Vehicle) | 1700-11-03-03 0.2 hrs |
| Time to take charge and determine campaign status | 1700-16-01-01 0.3 hrs |
| Causal Part | 22744065 |
| Parts Disposition | Return to TMAC |
| SCC Code | S7152 |
| Authorization Number | N/A |
| Expiration Date | 30 - JAN - 2018 |

Note: Take Charge Time is not included in the Labor Code for this operation. Take charge may be eligible but can only be used once per repair visit. If vehicle is having other warranty repairs performed, take charge should be charged to the warranty repair, otherwise take charge can be charged to this service program.