

REFERENCE:	Nova Bus Manuals
SECTION:	05: Rear Suspension
RS N°:	N/A
EFFECTIVE IN PROD.:	N/A

APPLICATION DEADLINE: N/A

SUBJECT:	ABS sensor AV-132
JUSTIFICATION:	In case of replacing the existing ZF ABS sensor of AV-132, there is an option to refit the ABS sensor in accordance with AV-132 II

LEVEL	DESCRIPTION	DIRECT CHARGES		TIME
		LABOUR	MATERIAL	
1	Replacement of ZF ABS sensor AV-132 to AVN-132 (AV-132 II).	Client	Client	–
2	–	–	–	–

**MATERIAL**

QTY	PART N°	REV.	DESCRIPTION	REPLACES PART N°
<b>LEVEL 1</b>				
1	19515169	–	SENSOR LEFT-HAND DRIVE	–
1	19401524	–	SENSOR RIGHT-HAND DRIVE	–
2	N8895143	–	SUPPORT	–
2	N8891032	–	CYL. SCREW	–
2	N8906485	–	COVER	–
2	634306524	–	O-RING	–
2	N8906486	–	WASHER	–
2	N8892040	–	BUSH	–
<b>LEVEL 2</b>				
–	–	–	–	–

To order, please contact Prevost Parts by phone at 1-800-771-6682, by fax at 1-888-668-2555 or by email at prevostparts.commandes@volvo.com. Specify document number, quantity of parts required and shipping address.

**DISPOSAL OF PARTS**

REMOVED PARTS ARE:	DISCARDED *	RETAINED	* Dispose of the unused parts and the defective parts in accordance with local environmental standards in effect.
	–	–	

**REVISION HISTORY**

REV.	DATE	CHANGE DESCRIPTION	WRITTEN BY
NR	2017AL27	Initial release	Kumaraswamy K S

APPROVED BY:

PAGE 1 OF 8

CLIENT	ORDER	ROAD NUMBER		VIN (2NVY/4RKY...)		QTY
		FROM	TO	FROM	TO	
Airdrie Transit - Alberta	L664	—	—	L82U2B3000507	L82U2B3000507	1
Arrow Coach Line - Arkansas	L494	—	—	L82U793000397	L82U793000397	1
BC Transit - BCT - British Columbia	L463	9319	9333	L82U093000273	L82U093000287	15
BC Transit - BCT - British Columbia	L481	9334	9353	L82U794000004	L82U094000023	20
BC Transit - BCT - British Columbia	L484	9370	9403	L82U494000090	L82U494000123	34
BC Transit - BCT - British Columbia	L486	9354	9369	L82U294000024	L82U494000039	16
BC Transit - BCT - British Columbia	L487	9404	9433	L82U094000149	L82U794000178	30
Belleville Transit - Ontario	L542	—	—	L82UXA3000088	L82U8A3000090	3
Belleville Transit - Ontario	L598	—	—	L82U5A3000581	L82U7A3000582	2
Belleville Transit - Ontario	L655	—	—	L82U3B3000385	L82U3B3000385	1
Brampton - Ontario	L501	917	926	L82U893000506	L82U893000523	10
Brantford - Ontario	L547	10101	10105	L82X6A3000082	L82X3A3000086	5
Brantford - Ontario	L663	10121	10121	L82U1B3000532	L82U1B3000532	1
Calgary Transit - Alberta	L601	8101	8114	L82U5A4000099	L82U4A4000112	14
Calgary Transit - Alberta	L607	8115	8130	L82UXA3000477	L82U6A3000492	16
Calgary Transit - Alberta	L615	8131	8158	L82U1B4000019	L82U4B4000046	28
Calgary Transit - Alberta	L624	—	—	L82U4B4000077	L82U6B4000078	2
Calgary Transit - Alberta	L637	8161	8180	L82U7B3000356	L82U2B3000376	20
Central Oklahoma Transportation Authority	L619	—	—	L82X7C3000367	L82X7C3000367	1
Clemson Area Transit - South Carolina	L617	—	—	S92U5C4500002	S92U5C4500002	1
CMBC (TransLink) - British Columbia	L454	9402	9470	L82X793000359	L82XX93000453	69
CMBC (TransLink) - British Columbia	L455	9471	9491	L82X093000459	L82X993000489	21
CMBC (TransLink) - British Columbia	L482	9492	9517	L82X894000040	L82X094000064	25
CMBC (TransLink) - British Columbia	L483	9518	9542	L82X294000065	L82X594000089	25
CMBC (TransLink) - British Columbia	L532	9543	9551	L82U093000497	L82U693000505	9
CMBC (TransLink) - British Columbia	L533	9552	9573	L82U193000511	L82U093000537	22
CMBC (TransLink) - British Columbia	L534	9574	9590	L82U694000124	L82U894000139	16
CMBC (West Vancouver) - British Columbia	L539	901	909	L82U494000140	L82U994000148	9
CT Transit - Connecticut	L554	1041	1065	S92U1A4000139	S92U0A4000164	25
CT Transit - Connecticut	L571	1101	1110	S92YXB4000144	S92Y4B4000169	10
Duke University - North Carolina	L651	—	—	S92Y1B4000145	S92Y3B4000146	2
Duke University - North Carolina (ref. L703)	L641	—	—	L82U9C4500012	L82U1C4500022	8
Fredericton - New Brunswick	L672	8111	8112	L82U0B3000540	L82U2B3000541	2
Grand River Transit - GRT - Ontario	L464	20901	20913	L82U193000296	L82U493000308	13
Grand River Transit - GRT - Ontario	L560	21001	21009	L82U2A3000246	L82U1A3000254	9
Grand River Transit - GRT - Ontario	L599	21116	21118	L82X9B3000465	L82X2B3000467	3
Grand River Transit - GRT - Ontario	L631	21119	21121	L82X4B3000468	L82X2B3000470	3
Grand River Transit - GRT - Ontario	L633	21101	21115	L82U7B3000289	L82U8B3000303	15
Greater Toronto Airports Authority - GTAA - Ontario	L477	L477-1	L477-1	L82U194000001	L82U194000001	1
Greater Toronto Airports Authority - GTAA - Ontario	L616	—	—	L82U4C4500001	L82U4C4500001	1

CLIENT	ORDER	ROAD NUMBER		VIN (2NVY/4RKY...)		QTY
		FROM	TO	FROM	TO	
Guelph - Ontario	L579	221	224	L82UXA3000401	L82U5A3000404	4
Guelph - Ontario	L669	225	228	L82U9B3000536	L82U4B3000539	4
Halifax - Nova Scotia	L558	717	731	S92UXA3000293	S92U6A3000307	15
Halifax - Nova Scotia	L613	732	741	S92UXB3000019	S92UXB3000028	10
Honolulu - Hawaii	L559	201	224	L82U6A4000113	L82U7A4000136	24
Kings Transit - Nova Scotia	L581	—	—	L82U2B3000054	L82U2B3000054	1
Lethbridge - Alberta	L489	165	169	L82U493000454	L82U193000458	5
Marketing Sales Demo - MSD 1 ISB Hybrid	L548	—	—	L82X5A3000087	L82X5A3000087	1
Marketing Sales Demo - MSD 6 Houston	L628	—	—	L82U8C4500003	L82UXC4500004	2
Moncton (Codiac) - New Brunswick	L569	—	—	L82U4B4000001	L82U4B4000001	1
Moncton (Codiac) - New Brunswick	L570	—	—	L82U6B4000002	L82U6B4000002	1
New York City Transit - New York	L536	1200	1201	S92U793000490	S92U993000491	2
New York City Transit - New York	L545	1202	1289	S92U5A4000001	S92U0A4000098	88
New York City Transit - New York	L608	8000	8014	L82U6B4000047	L82U0B4000061	15
New York City Transit - New York	L620	8015	8074	L82U2B4000062	L82U7B4000123	60
New York City Transit - New York	L621	8075	8089	L82U9B4000124	L82U9B4000138	15
New York City Transit - New York	L643	5895	5895	S92U1B4000143	S92U1B4000143	1
New York City Transit - New York	L670	5770	5894	S92U9B4000147	S92UXC4500061	125
Niagara Falls - Ontario	L499	2986	2989	L82U093000564	L82U693000567	4
Peterborough - Ontario	L490	—	—	L82UX93000345	L82U593000348	4
Regina - Saskatchewan	L476	625	628	L82U893000313	L82U393000316	4
Regina - Saskatchewan	L561	631	644	L82U8B4000003	L82UXB4000018	14
Regina - Saskatchewan	L639	645	654	L82U1B3000336	L82U2B3000345	10
Saskatoon - Saskatchewan	L551	1005	1007	S92UXA3000178	S92U8A3000180	3
Saskatoon - Saskatchewan	L568	—	—	S92U9B3000013	S92U9B3000013	1
Saskatoon - Saskatchewan	L618	—	—	S92U1C3000377	S92U1C3000377	1
Sault Ste-Marie Transit Services - Ontario (ref. L686)	L641	135	139	L82U7C4500008	L82U6C4500016	5
St. John's - Newfoundland	L503	1066	1066	L82U4A3000071	L82U4A3000071	1
Stratford - Ontario	L493	—	—	L82U2A3000019	L82U2A3000019	1
Stratford - Ontario	L634	—	—	L82UXB3000352	L82UXB3000352	1
Strathcona County Transit - Alberta	L523	2010	2010	L82U693000603	L82U693000603	1
Strathcona County Transit - Alberta	L524	3005	3010	L82X593000604	L82X493000609	6
Strathcona County Transit - Alberta	L580	2011	2023	L82U1A3000464	L82U8A3000476	13
Strathcona County Transit - Alberta	L659	2024	2028	L82U7B3000440	L82U4B3000444	5
Sudbury - Ontario	L465	791	795	L82U593000317	L82U793000321	5
Sudbury - Ontario	L552	801	808	L82U3A3000238	L82U0A3000245	8
Sudbury - Ontario	L632	811	817	L82U9B3000326	L82U4B3000332	7
Thunder Bay - Ontario	L488	—	—	L82U193000332	L82U593000334	3
Thunder Bay - Ontario	L614	—	—	L82UXB3000061	L82U3B3000063	3
Thunder Bay - Ontario	L662	20168	20168	L82U3B3000533	L82U7B3000535	3
Timmins - Ontario	L475	—	—	L82U493000311	L82U693000312	2

CLIENT	ORDER	ROAD NUMBER		VIN (2NVY/4RKY...)		QTY
		FROM	TO	FROM	TO	
Timmins - Ontario	L550	—	—	L82U8A3000171	L82UXA3000172	2
Timmins - Ontario	L661	—	—	L82U9B3000486	L82U9B3000486	1
University of Alabama - Alabama	L479	479-1	479-1	L82U394000002	L82U394000002	1
University of Alabama - Alabama	L480	480-1	480-1	L82U594000003	L82U594000003	1
University of Alabama - Alabama	L573	—	—	L82U9A4000137	L82U0A4000138	2
University of Alabama - Alabama	L640	—	—	L82U9B4000141	L82U0B4000142	2
University of Colorado - Colorado	L627	—	—	S92UXB4000139	S92U6B4000140	2
Walt Disney World - Florida	L535	1204	1213	L82UXA4000003	L82U0A4000012	10
Whitehorse - Yukon	L563	38	41	L82U3A3000255	L82U9A3000258	4
Woodstock - Ontario	L460	—	—	L82U693000309	L82U693000309	1
Woodstock - Ontario	L492	—	—	L82U4A3000040	L82U6A3000041	2
York Regional Transit - Ontario	L562	1080	1082	S92U2A3000420	S92U6A3000422	3
York Regional Transit - Ontario	L572	1083	1094	S92U3A3000569	S92U2A3000580	12

**WARNING**

Follow your internal safety procedures.

**PROCEDURE****NOTE**

The instructions included in this document have been provided by ZF. Nova Bus cannot be held responsible under any circumstances for the content of this procedure.

## ANNEX - CONVERSION OPTION FOR ABS SENSOR AV 132

File 7  
Type: AV-series  
Consecutive no.: 99/16e  
Date: 09.02.2017

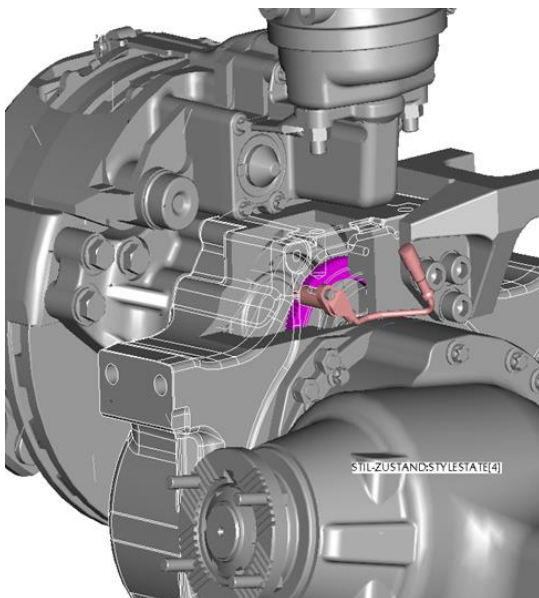
## Service Information

Conversion option for ABS sensor AV 132 on  
compact bearing wheel head

If the ABS sensor needs repairing or replacing, with the AV 132 there is an option to refit the ABS sensor in accordance with AV 132 II.

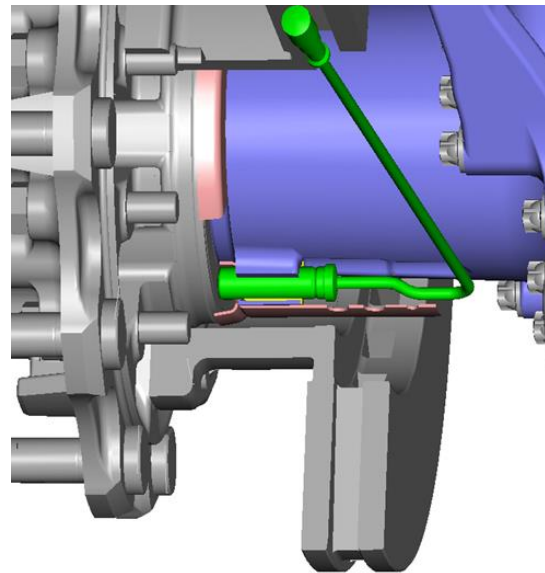
## ABS sensor position of AV 132 vs AV 132 II, AVN 132

AV 132



- Sensor is mounted on the portal housing.
- Sensor is used only for AV 132.

AV 132 II



- Sensor is fitted on the wheel hub.
- Sensor type, sensor signal and sensor position identical in AV 132 II and AVN 132.

**Note:**

- Sensor cable installation must be altered to the vehicle manufacturer's specifications.
- Series production of the existing sensor in the portal housing ceased at the end of 2011.
- For a summary of all convertible parts lists see Page 3.

File: 7  
 Type: AV-series  
 Consecutive no.: 99/16e  
 Date: 09.02.2017  
 Page 2/4

## Service Information



### Conversion option for ABS sensor AV 132 on compact bearing wheel head Parts and tools (see also conversion kits below) required

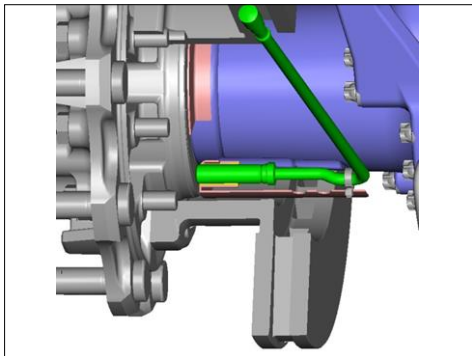


Figure 1

Remove existing protective screen sheet from hub carrier.  
 Fit new screen sheet 4472.335.841.  
 Pressing device (tool): 5870.506.162

**Apply Loctite 574 to the support seating for fitting.**  
**Note the installation dimension  $X = 4+1$  mm and installation position of the speed sensor hole in the 6 o'clock position**

**(See arrow in Figure 2)!**

**Using the specified special tool gives the precise installation dimension!**

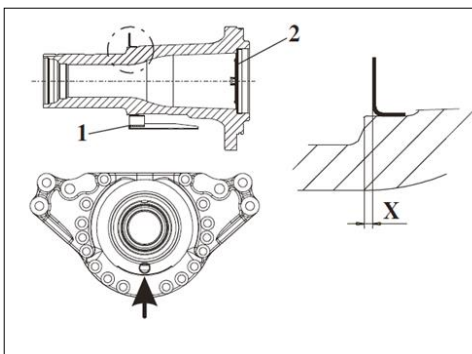


Figure 2

Fit ABS sensor + clamping sleeve as with AVN 132.



Fit the sensor cable in the vehicle according to the vehicle manufacturer's specifications!

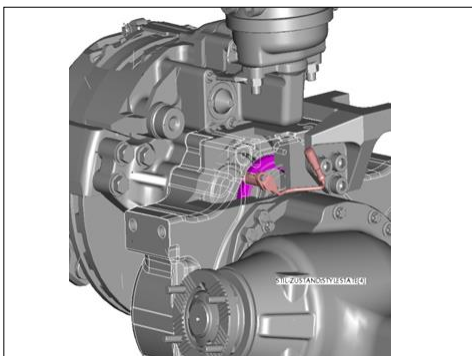


Figure 3

Remove the existing ABS sensor from the portal drive.  
 (Figure 3).

Fit the end cap with the O-ring and screw.  
 (Figure 4).

File: 7  
 Type: AV-series  
 Consecutive no.: 99/16e  
 Date: 09.02.2017  
 Page 3/4

**Service Information**

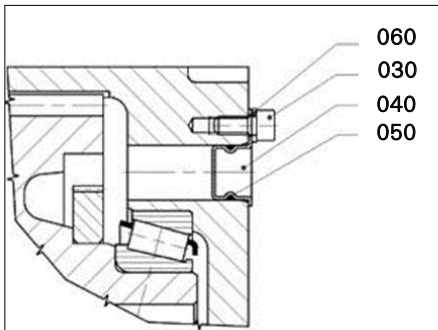


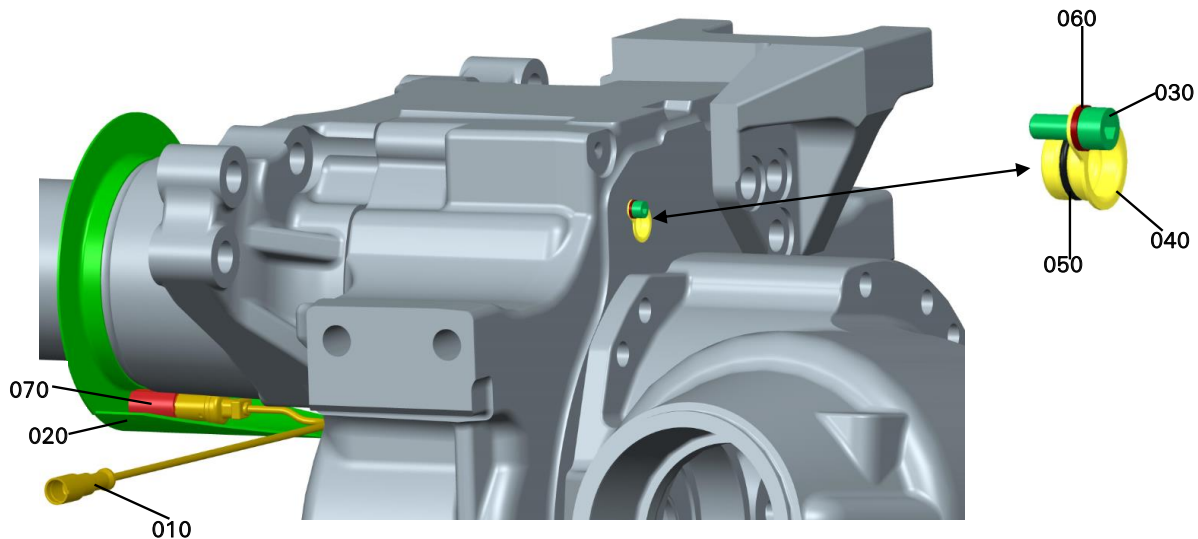
Figure 4

- Item 030: 0636.101.478 Cylindrical screw
  - Item 040: 4472.335.308 Cover
  - Item 050: 0634.306.524 O-ring
  - Item 060: 0630.003.004 Washer
- (Quantity: 1 per portal drive)

The following conversion kits are required for conversion for the relevant output:

Sensor conversion kit – Left-hand drive: 4472.298.238			
Item no.	Material number	Description	Quantity
010	0501.325.479	Sensor	1
020	4472.335.841	Support	1
030	0636.101.478	Cyl. screw	1
040	4472.335.308	Cover	1
050	0634.306.524	O-ring	1
060	0630.003.004	Washer	1
070	0501.317.255	Bush	1

Sensor conversion kit – Right-hand drive: 4472.298.239			
Item no.	Material number	Description	Quantity
010	0501.325.478	Sensor	1
020	4472.335.841	Support	1
030	0636.101.478	Cyl. screw	1
040	4472.335.308	Cover	1
050	0634.306.524	O-ring	1
060	0630.003.004	Washer	1
070	0501.317.255	Bush	1



File: 7  
Type: AV-series  
Consecutive no.: 99/16e  
Date: 09.02.2017  
Page 4/4

## Service Information



### The following parts lists may be converted:

AV 132 4472.036.050 / ...052 to ...053 / ... 055 / ...057 to ...062 / ...064 / ...065 to ...068 /  
...078 to ...079 / ...082 to ...092 / ...104 to ...108 / ...112 to ...115 /  
...123 to ...124 / ...129 to ...134 / ...146 to ...147 / ...149 to ...151 /  
...154 to ...155 / ...158 to ...163 / ...165 / ...167 to ...172 / ...174 to ...177 /  
...179 to ...185 / ... 187 to ...189 / ... 192 / ...197 / ...205 to ...207 / ...215 to ...216 /  
...220 / ...233 / ...236 / ... 249 / ...251 / ...258 / ...260 to ...261 / ...263 / ...270 /  
...276 / ...279 to ...283 / ...294 to ...295 / ...297 to ...302 / ...319 to ...326 / ...339 /  
...345 to ...346 / ...349 / ...352 to ...356 / ...359 / ...362 / ...365 / ...367 to ...368 /  
...382 to ...383 / ...386 to ...394 / ...400 to 407 / ...409 / ...411 / ...414 to ...419 /  
...422 to ...424 / ...426 / ...430 to ...437 / ...439 to ...442 / ...444 / ...453 /  
...455 to ...456 / ...461 / ...463 to ...464 / ...466 to ...469 / ...475 to ...476 /  
...479 / ...481 / ...483 to ...484 / ...487 to ...489 / ...491 / ...506 / ...510 to ...512 /

AV 132 4472.036.514 / ...522 to ...523 / ...530 / ...534 / ...536 to ...538 / ...540 to 541 / ...543 /  
...550 / ...554 to 555 / ...570 to ...572 / ...574 to ...580 / ...582 / ...595 / ...603 /  
...605 / ...611 / ...613 / ...619 / ...622 / ...626 / ...628 / ...630 / ...635 / ...637 to ...639 /  
...641 / ...646 / ...648 / ...651 / ...653 / ...659 / ...678 / ...694