

L73X-A.03.17

To: Official After Sales Network  
Subject: Pipe insulation update.  
Date: May 19, 2017  
Pages 7



**Campaign code.**

L73X-A.03.17

**Campaign description.**

Pipe insulation update.

**Model.**

Aventador Coupè and Roadster.

**Model year.**

From 2012 to 2016

**Special or Limited Versions.**

All.

**Markets.**

All.

**VIN identification**

From CLA00325 to GLA04793

**Warning:** before starting with the repair, log to the Warranty portal and check through VIN Info:

- The vehicle is effectively involved by these bulletin instructions; some cars may not be included even when they are in the VIN range.
- The procedure identified by a letter (e.g. A, B or C...etc. whose differences are explained below in this bulletin), taking care to order and use the parts corresponding to the assigned procedure.

**Example**

VIN	17 DIGIT VIN	Model	MODEL NAME	Warranty Start Date	DD/MM/YYYY	Warranty End Date	DD/MM/YYYY	
Total days of workshop repairs: 0								
Prior activated CPO list								
CPO /	Validity months	Classification	Mileage	Insertion date	Approval date	Start date	Expire date	Claim status
<input type="text"/> <input type="text"/> Page <input type="text"/> of <input type="text"/> Rows <input type="text"/> <input type="text"/>								
Available Campaigns								
Campaign Code	Campaign Type	Procedures	Campaign Description	Campaign Starting Date	PDF	AV		
LXX-XXXX	A - Service Action	B	CAMPAIGN NAME	DD/MM/YYYY				



**Note**

Procedure A will be available only when the instructions require carrying out a preliminary control to determine whether or not a vehicle needs to be updated.

**Information to the field**

As a result of continuous product monitoring, Automobili Lamborghini Spa found some cars in which the insulation for blow by pipes are noncompliant with our quality esthetical standards, therefore has decided to introduce new designed pipes and thermal sheath.

**Field solution**

The instruction herein detailed describes the replacement of the insulation and the blow-by pipes

**Spare parts.**

Order the following part number which are connected to the operation required:

- Operation B – pipe and insulation installation

P/N	Description	Q
470198115	Pipe and insulation kit:	Q1
	Pipe	Q1
	Pipe	Q1
	Sheath	Q1

**Replaced parts management.**

Store properly and tagged the parts replaced with bar code form for their identification during Area Manager visits.

**Labour time**

- Insulation and pipes replacement: **0.5 hour.**

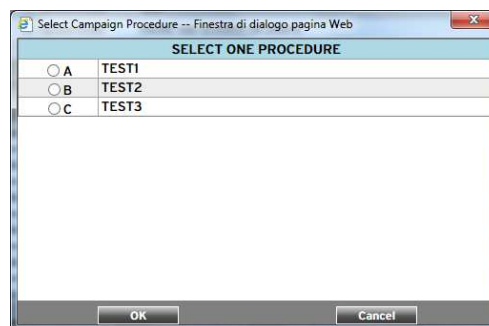
**Substituted former Bulletins.**

None.

**Warranty Claim instructions**

To claim the reimbursement log into the warranty system management on the Lamborghini Portal and consults the manual “W.Claim “ available on the portal for the download .

Select the desired campaign and go on with the claim insertion, read carefully the windows message content and choose the option button corresponding to the operation performed .



On the base of the chosen option the reimbursement will be:

- OPTION B, Pipe insulation update  
manpower: 0.5 hours  
spare parts :470198115,

L73X-  
A.03.17

To: **Official After Sales Network**  
Subject: **Pipe insulation update.**  
Date: **May 19, 2017**  
Pages: **7**



**ATTENTION!**

Attach all documents produced during the vehicle visit that show evidence of the work performed such as repair order, software protocols or acquisitions...etc.; the lack of one or more of those, may deny the reimbursement.

Remember to fill all data in the section “Service and Recall Campaign” in the Warranty booklet of the vehicle as shown below.

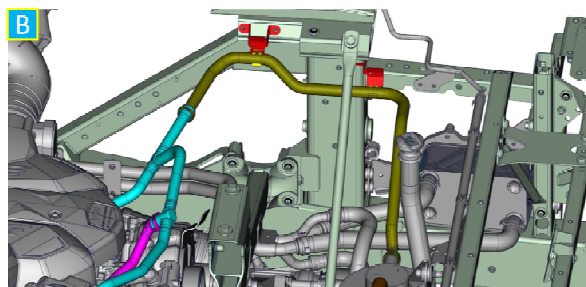
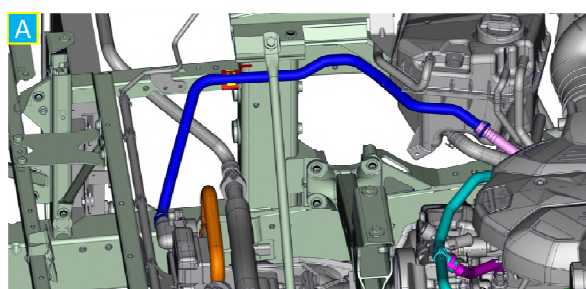
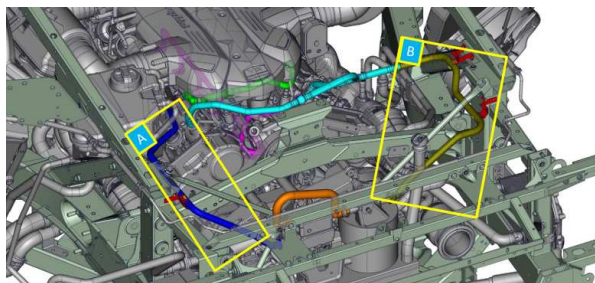
Automobili Lamborghini S.p.A.			
Campagne service assistenza e campagne di richiamo / Service und Rückrufaktion / Service and Recall Campaign			
Service et campagne de rappel / Campaña de Servicio y Llamada a Taller			
<input type="checkbox"/> Spazio per il Servizio Clienti Numero/Numero Telefono/Telefono Numero 	<input type="checkbox"/> Spazio per il Servizio Clienti Numero/Numero Telefono/Telefono Numero 	<input type="checkbox"/> Spazio per il Servizio Clienti Numero/Numero Telefono/Telefono Numero 	<input type="checkbox"/> Spazio per il Servizio Clienti Numero/Numero Telefono/Telefono Numero 
<input type="checkbox"/> Spazio per il Servizio Clienti Numero/Numero Telefono/Telefono Numero 		<input type="checkbox"/> Spazio per il Servizio Clienti Numero/Numero Telefono/Telefono Numero 	
<input type="checkbox"/> Spazio per il Servizio Clienti Numero/Numero Telefono/Telefono Numero 		<input type="checkbox"/> Spazio per il Servizio Clienti Numero/Numero Telefono/Telefono Numero 	

**Necessary tools/material.**

P/N	Description	Q
-		

**Preliminary operations:**

1. Identify the work area





Update procedure.



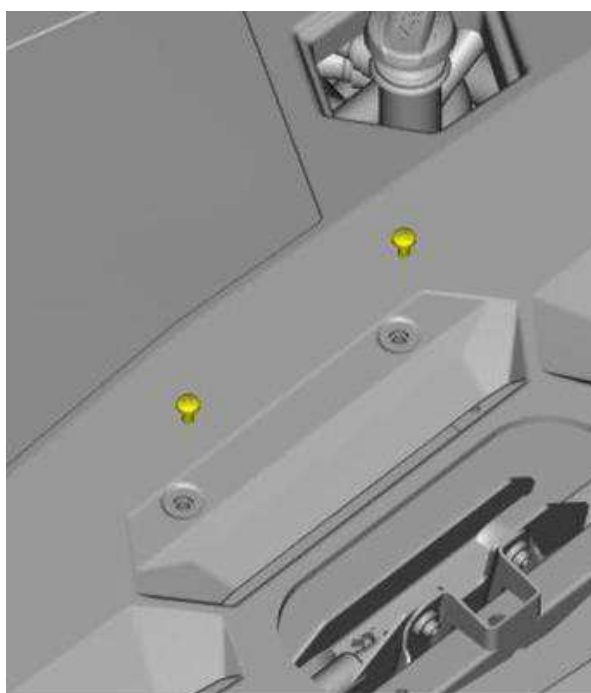
**WARNING!**



Wait until the **vehicle has cooled down completely**

2. Remove the screws from the rear engine cover.

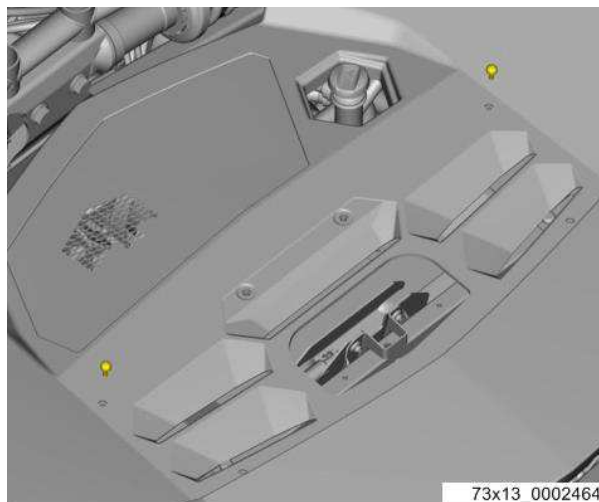
Tightening torque: 6 Nm



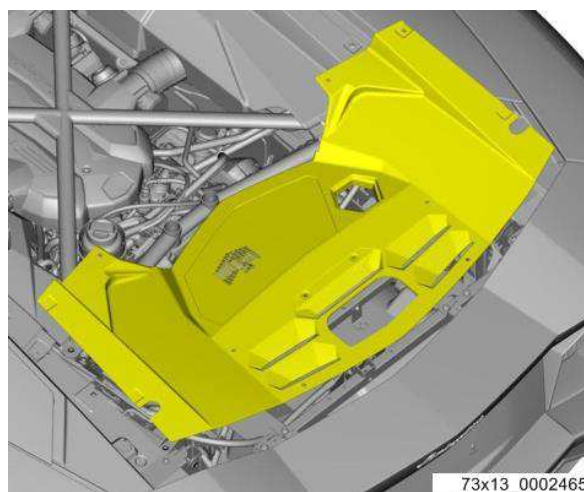
3. Remove the 2 side pads

**Notes for re-installation:**

Apply low-strength threadlocker before re-installation

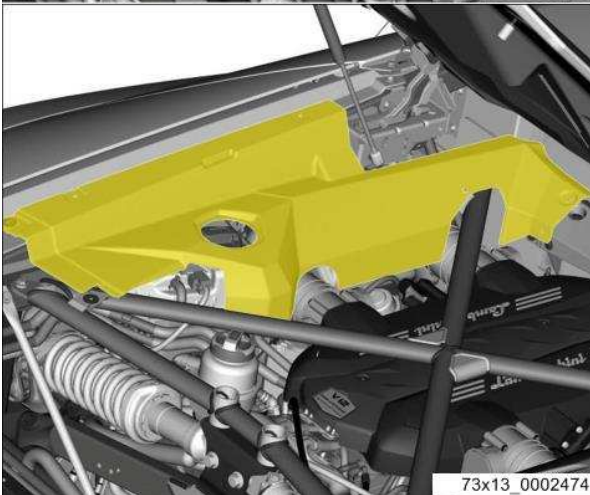
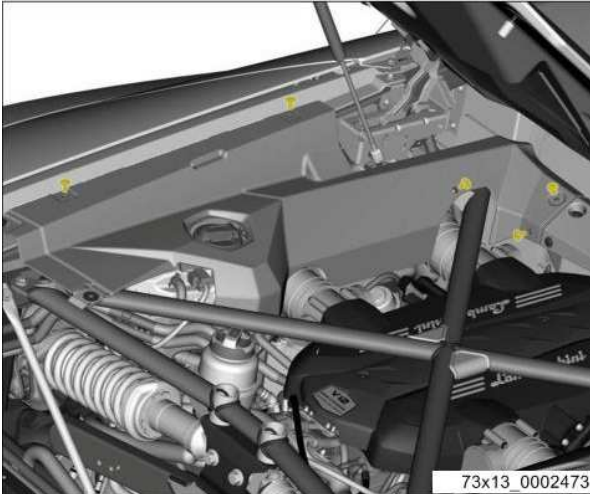


4. Remove the rear engine compartment cover

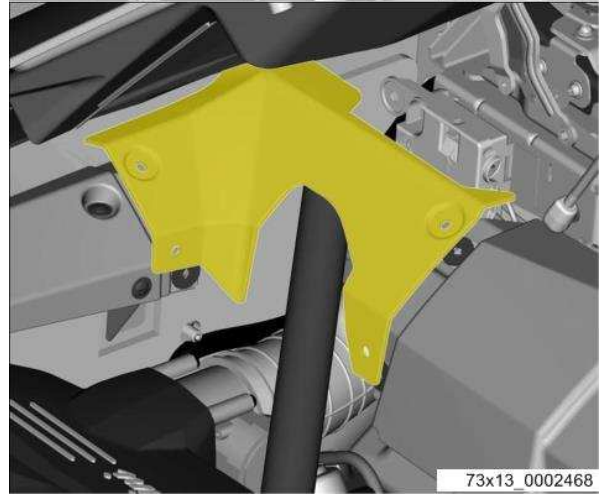
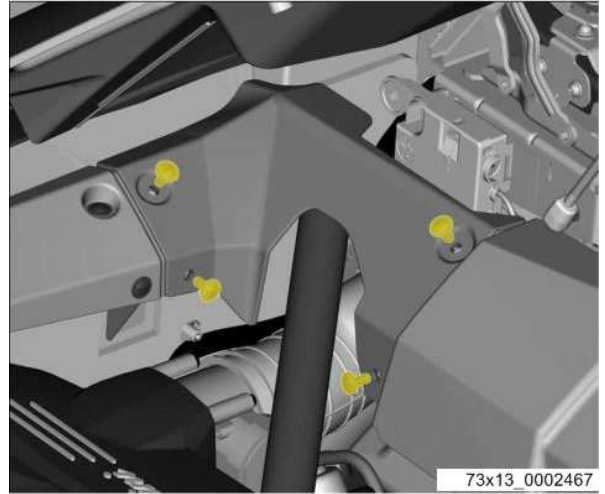




5. Remove the 5 quick-release screws on the left-hand engine compartment cover, then remove it

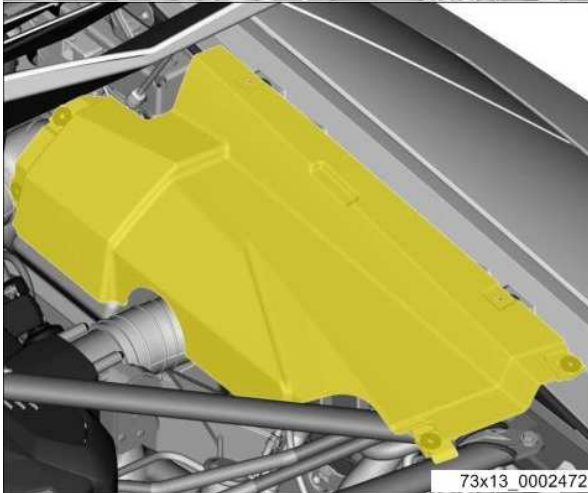
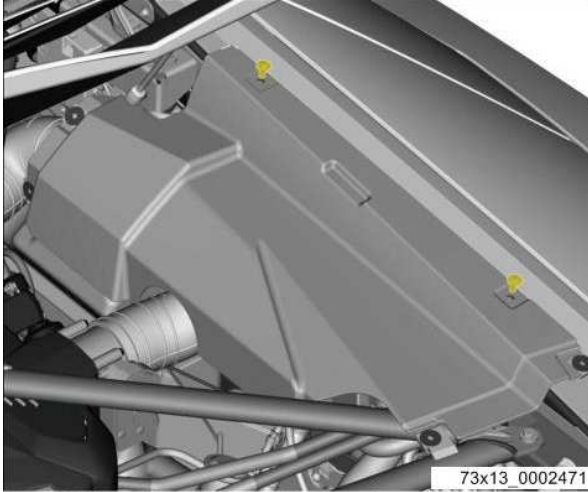


6. Remove the 4 quick-release screws on the front right-hand engine compartment cover, then remove it



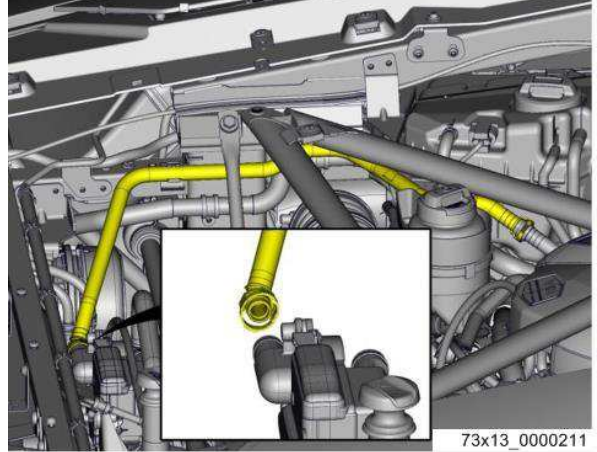


7. Remove the 2 quick-release screws on the rear right-hand engine compartment cover, then remove it

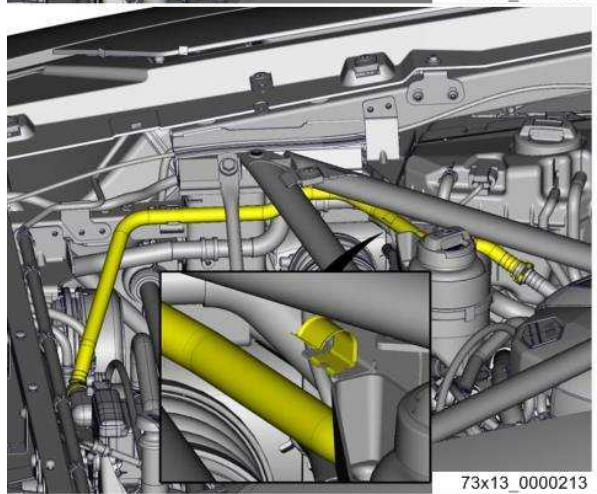
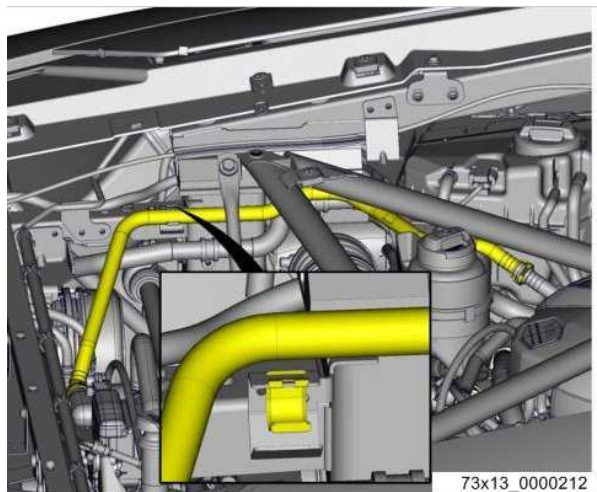


**Removing/Installing tube 470103221B (LH side of the engine compartment)**

8. Disconnect the tube from the oil separator

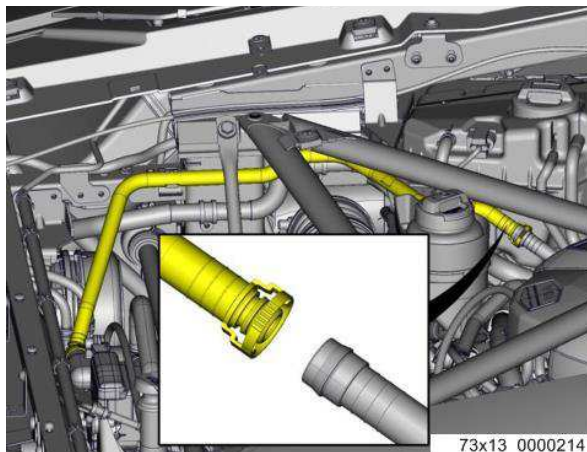


9. Disconnect the 2 clips.





10. Disconnect the tube on the engine side, then remove it.

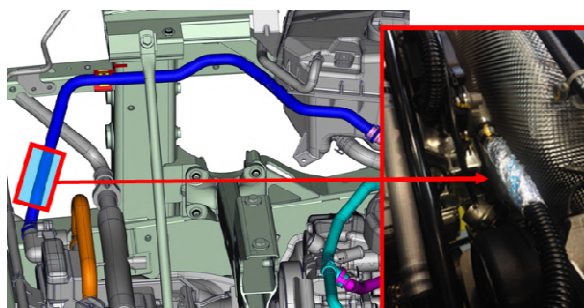


11. Install the new tube (p/n 470103221C) by retracing steps 9 to 8 in order.

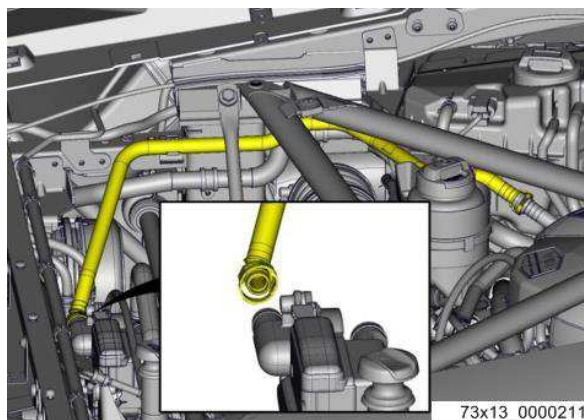
**Installing the insulating sheath (p/n 470972837B) on tube 470103221C .**

12. Install the protective sheath as shown in the figure.

**Note:** curl the sheath around the tube, compressing it by hand.



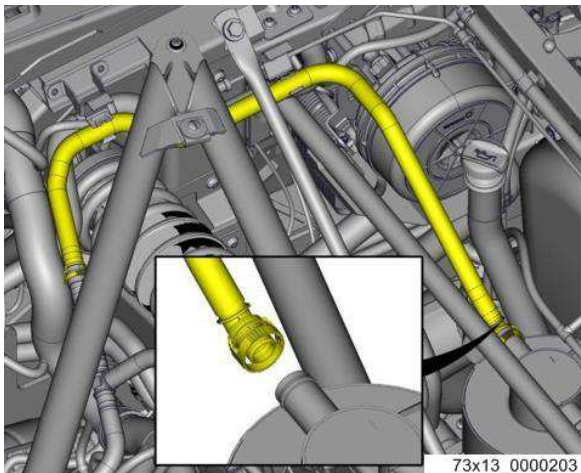
13. Connect the tube to the oil separator, taking particular care to install the quick coupling correctly



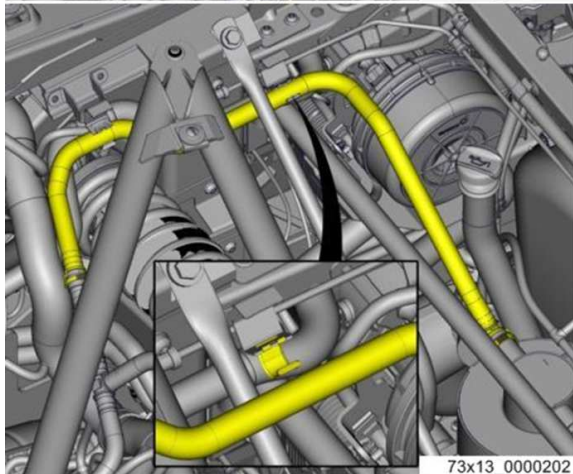
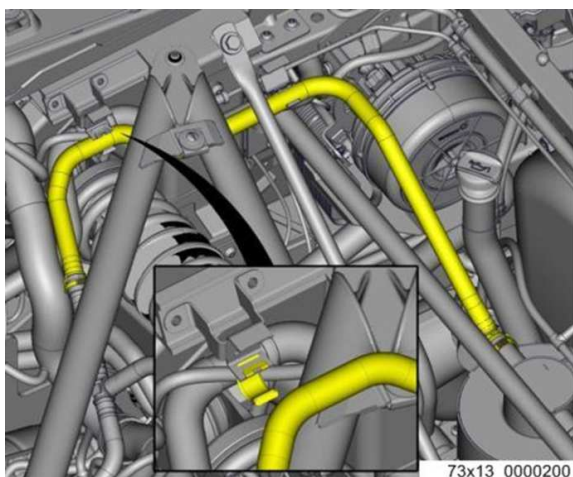


### Removing/Installing tube 470103214B (RH side of the engine compartment)

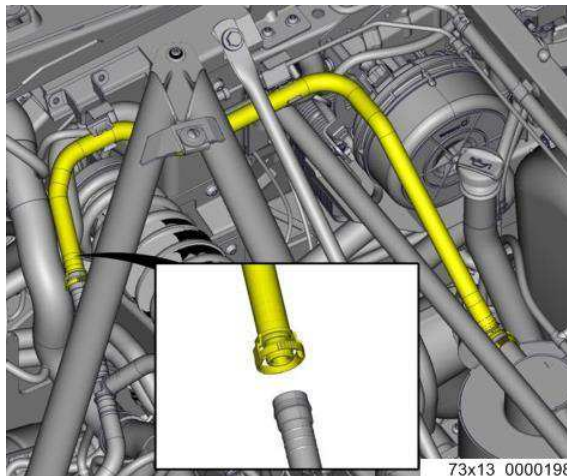
14. Disconnect the tube from the oil reservoir.



15. Disconnect the 2 clips.



16. Disconnect the tube on the engine side, then remove it.



17. Remove the tube and install the new one (p/n 470103214C) by retracing steps 15 to 13 in order, taking particular care to install the quick couplings correctly

18. Re-install the rear and side covers of the engine compartment by retracing steps 6 to 1 in order.