

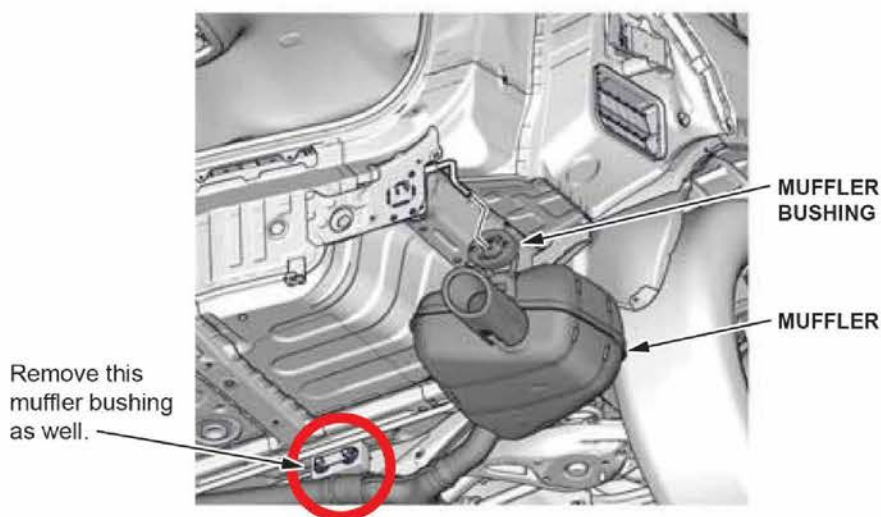
Installing the Accessory Trailer Hitch Kit? Read This First!

AFFECTED VEHICLES

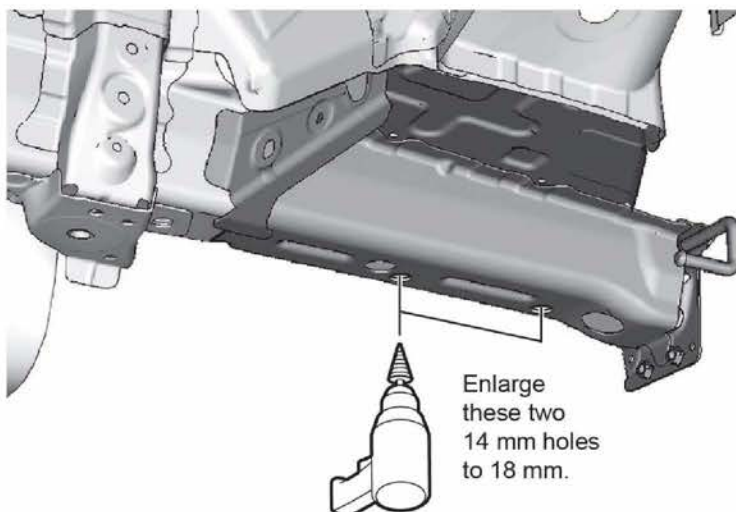
2017 CR-V

Installing the accessory Trailer Hitch Kit (P/N 08L92-TLA-100)? It turns out that you'll also need to enlarge the four **14 mm** holes in the vehicle frame to **18 mm** so the hitch can properly mount to the frame. Here's the lowdown based on the installation instructions.

- After removing the muffler bushing from the right side of the vehicle in step 25, remove the muffler bushing circled below. Doing so will give you more room to drill.



- Remove the two muffler bushings from the left side of the vehicle the same way (if equipped).
- After applying touch-up paint and letting it dry in step 50, enlarge the two **14 mm** holes in the left-side vehicle frame to **18 mm** with a step bit.



- When you're done, apply touch-up paint to the edges of the holes and let dry.
- Repeat the applicable steps above for the right side of the vehicle.

© 2017 American Honda Motor Co., Inc. – All Rights Reserved